

STANLEY®

Model: TMX-102FM

TV Mount Installation Guide



Thank you for choosing Stanley – the hardware of choice for Architects, Contractors, and Home Owners for its quality, performance and dependability.

Enclosed are your step-by-step instructions for an install made easy.

If you get stuck, give customer service a call at 1-855-816-6868
You can also reach us at contact@stanleymounts.com

www.stanleymounts.com



Caution: Please read the entire manual before proceeding
View warranty and disclaimer on page 12

Getting Started

Before we start lets make sure we have the correct mount and all the required tools and hardware to complete the installation.



The TV is a Flat Panel TV is between 13" - 42" and weighs no more than 50lbs/23kg.



The Wall the TV will be mounted on is either concrete or dry wall with wood studs.



You have all of the following tools:



Drill



Screwdriver



Pencil



Level



Stud Finder



Tape Measure



Hammer



Wrench



Drillbit



Check out our free level app in the app store!

If you answer "Yes" to all the questions above then you are ready to begin the TV Mount installation!



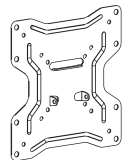
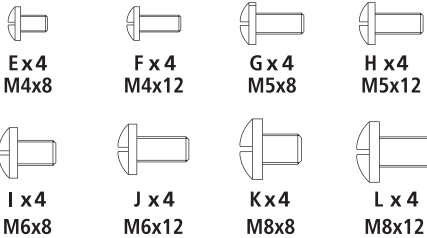
Caution: This product contains small items that could be a choking hazard if swallowed.

Parts & Hardware



Caution: Before starting assembly, verify all parts are included and undamaged. If any parts are missing or damaged, do not return the damaged item to your dealer; contact Customer Service. Never use damaged parts or previously used parts!

For attaching TV Rails to TV



Wall Plate x1



Wall Plate Covers x2

Spacers



C x 4

Wall Screw



A x 3

Wall Anchor



B x 3

Washer



D x 3



Spanner



Allen Wrench

Step 1: Attach TV to Mounting Plate

1 Loosen the 2 bolts behind the mounting plate, then lift and remove the plate.

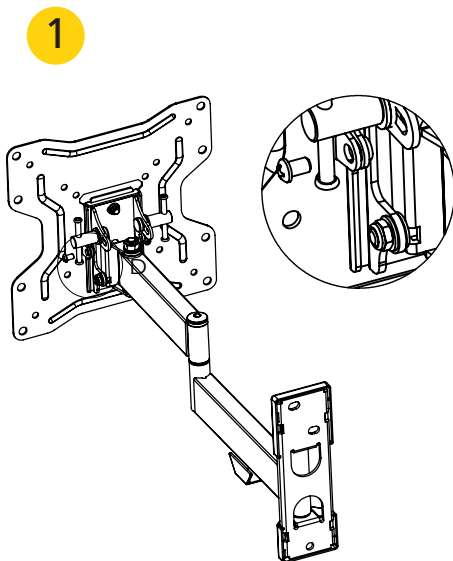
2 Check what screw size will fit in your TV. (E,F,G,H,I,J,K,L)

If your TV has a curved back you may need to use longer screws with spacers.

Tools Required:



Screwdriver



2



E x 4
M4x8



G x 4
M5x8



I x 4
M6x8



K x 4
M8x8



F x 4
M4x12



H x 4
M5x12



J x 4
M6x12



L x 4
M8x12


Step 1: Attach TV to Mounting Plate

- 3 Align the mounting plate onto the back of the TV and install with the appropriate hardware.

Tools Required:

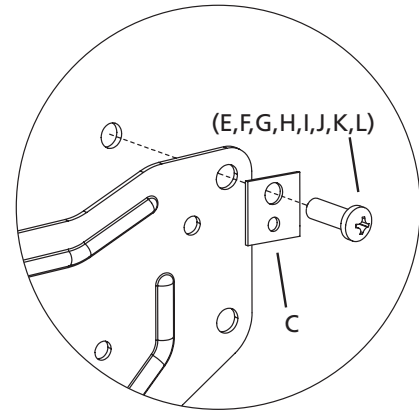
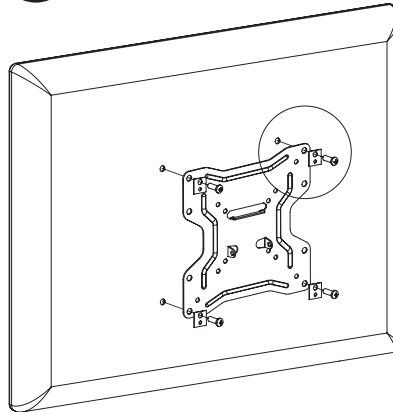



Screwdriver

- 3  **Caution:** Hand tighten with screwdriver only, over tightening may damage the TV!



Do not use a drill for this step!



-  **Caution:** If you are unable to line up the hardware with the TV, please call: 1-855-816-6868

Step 2A: Install Wall Plate on Drywall with Wood Stud

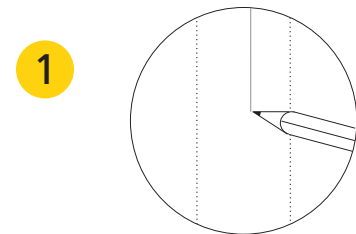
Note: For Concrete skip to Step 2B

- 1 Use a stud finder to locate 1 stud. Then draw a vertical line on the center of the stud.
- 2 Level the wall mount and align it with the center of the studs. Make 3 Pencil marks to indicate where to drill.

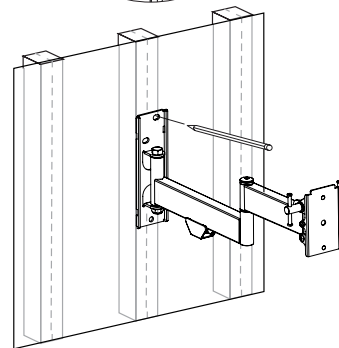
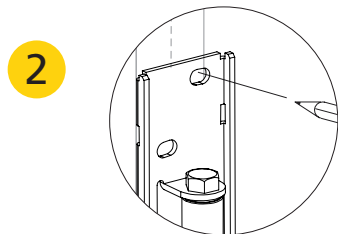
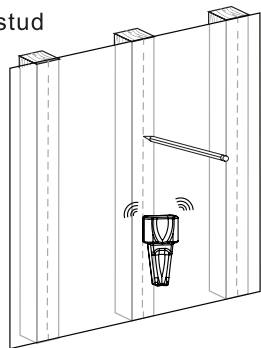
Tools Required:



Pencil Level



Wood stud



Caution: The minimum size of the woodstud must be 1/2" x 3 1/2" and the thickness of the drywall must not exceed 5/8".

Step 2A: Install Wall Plate on Drywall with Wood Stud Note: For Concrete skip to Step 2B

- 3 Remove the wall mount and drill the pilot holes with a 3/16" drillbit
- 4 Align the wall mount with the pilot holes and insert 3 bolts through the washer in the pilot holes and tighten.

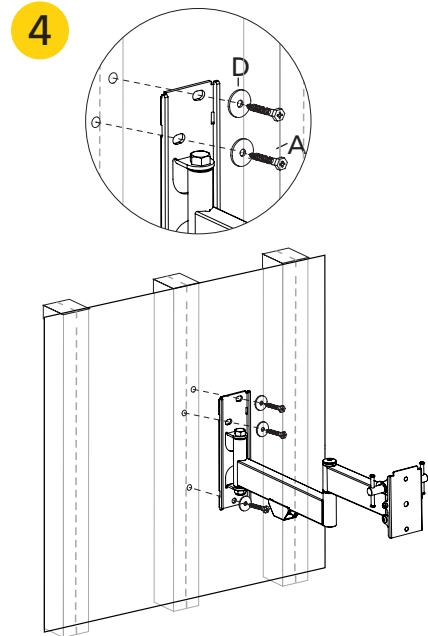
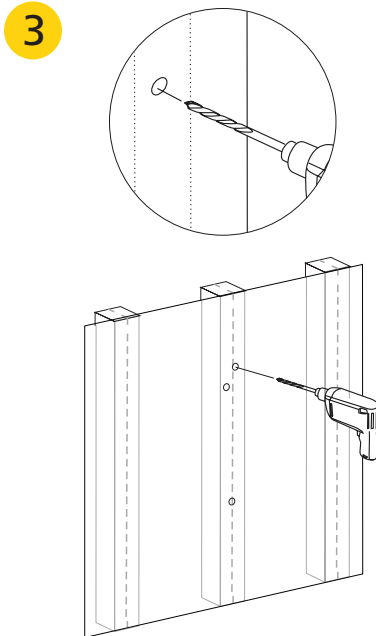
Tools Required:



Drill



3/16"
Drillbit



- 1 Level the wall mount and make 3 marks with pencil to show where to drill the pilot holes.

- 2 Remove the wall mount and drill the pilot holes with a 3/8" drillbit.

Tools Required:



Pencil



Level



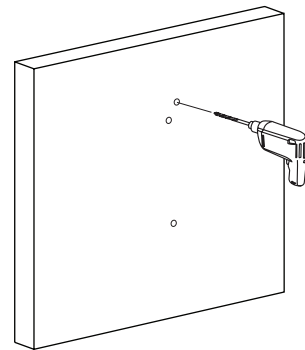
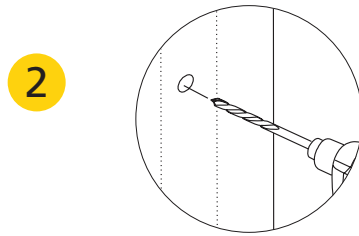
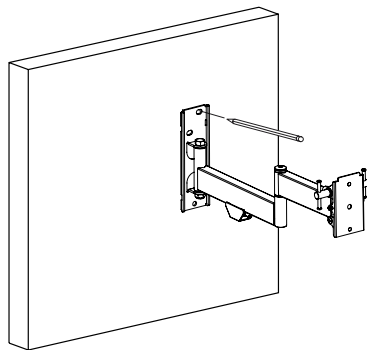
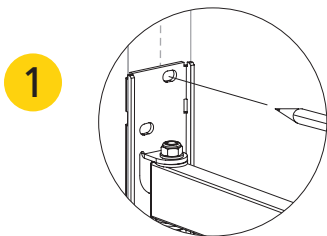
Drill

8



3/8"

Drill Bit



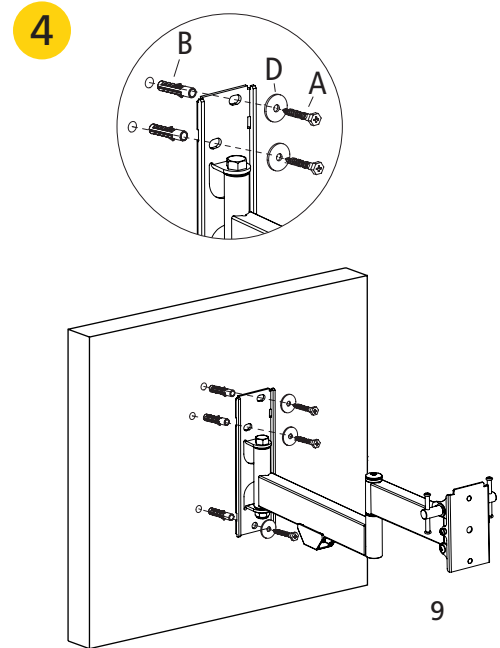
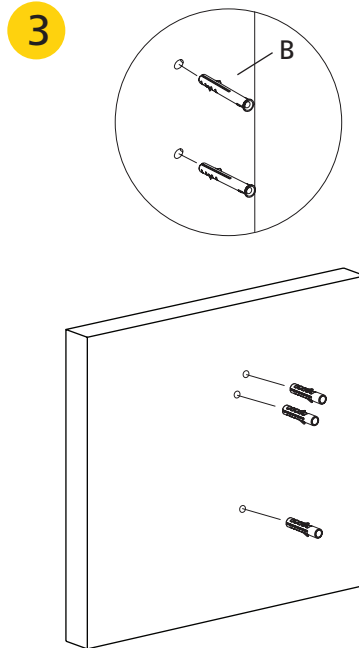
Caution: The minimum depth of the concrete must be 8".
Do not drill pilot holes into the mortar between the concrete.

- 3 Insert the anchors into the 3 pilot holes. Tap with a hammer
- 4 Align the wall plate with the pilot holes and anchors and insert 3 bolts through the washer into the anchors and tighten.

Tools Required:



Hammer Wrench



- 1 Lift the TV with the mounting plate and attach the mounting plate to the wall mount.
- 2 Reinsert the 2 screws that were originally removed and tighten.

Tools Required:

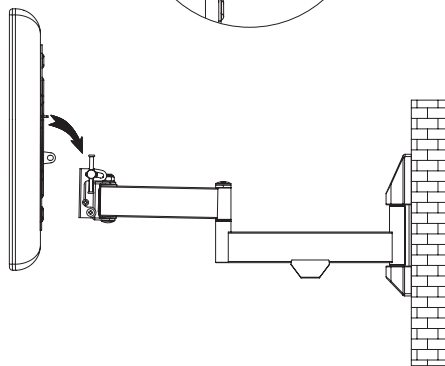
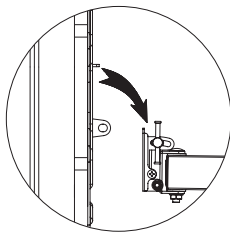


Screwdriver

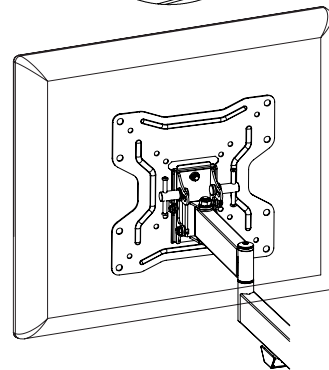
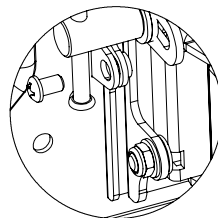


Warning: Always use 2 people to lift your TV.

1

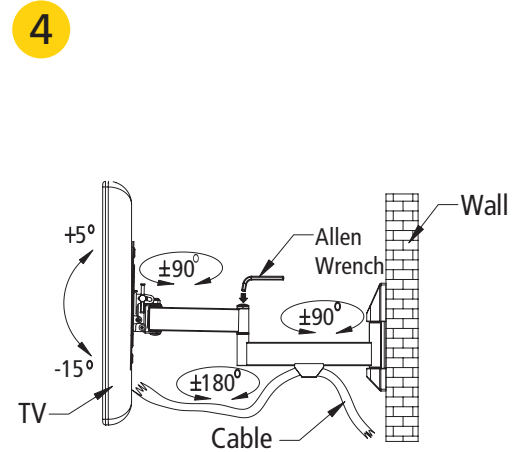
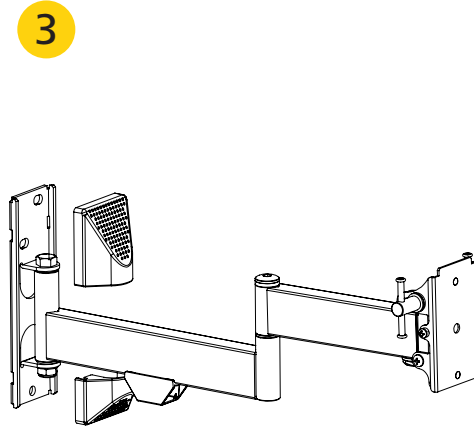


2



- 3 Place the 2 plastic covers on the TV mount.
- 4 Then adjust the viewing angle using the hexagon wrench to adjust the tightness of the bolt.

You may also hang the wires of the TV on the supplied cable management device.



STANLEY

SUNCRAFT SOLUTIONS INC. LIMITED WARRANTY

SUNCRAFT SOLUTIONS INC. LIMITED WARRANTY

SUNCRAFT SOLUTIONS INC. warrants its products to be free of defects in material and workmanship for the product's Warranty Period. The Warranty Period commences on the original purchase date of the product and the sales receipt serves as proof of purchase.

All SUNCRAFT SOLUTIONS INC. products are covered by a limited product warranty of three (3) years for all metal mounts and fixtures and non electrical items.

This Limited Warranty extends only to the original purchaser and is non-transferable. It is automatically void if your SUNCRAFT SOLUTIONS INC. product is modified or altered in any way, improperly or incompletely installed, usage of non-supplied hardware and used in a non conventional method, exceeding the weight capacity or size restrictions. All SUNCRAFT SOLUTIONS INC. products are intended for indoors consumer or commercial use only and any outdoor or use in areas subject to weather and high humidity, water vapor or exposure to the elements use voids this Limited Warranty. The Limited Warranty for all mounts is void if the mount is transferred from one location to another. To

the maximum extent permitted by applicable law, SUNCRAFT SOLUTIONS INC. disclaims any other warranties, express or implied, including warranties of fitness for a particular purpose and warranties of merchantability. SUNCRAFT SOLUTIONS INC. will not be liable for any damages whatsoever arising out of the use or inability to use its products, even if SUNCRAFT SOLUTIONS INC. has been advised of the possibility of such damages. To the maximum extent permitted by applicable law, SUNCRAFT SOLUTIONS INC. disclaims any responsibility for incidental or consequential damages to all persons property and other items.

For warranty claims made during the stated warranty period, SUNCRAFT SOLUTIONS INC. will replace any defective product part free of charge. Contact SUNCRAFT SOLUTIONS INC. at 1-855- 816-6868 to make a warranty claim or e-mail warranty@suncraftsolutions.com. Proof of warranty is required. This Limited Warranty does not cover the costs of removing and replacing defective parts from your SUNCRAFT SOLUTIONS INC. product. SUNCRAFT SOLUTIONS INC. assumes no liability for any installation, adjustment or other costs.

General Disclaimer

Disclaimer – Suncraft Solutions Inc. has extended every effort to ensure to accuracy and completeness of this manual. However, Suncraft Solutions Inc. does not claim that the information covers all installation, situational or operational variables. The information contained in this document is subject to change without notice or obligation of notification of any kind. Regarding the information contained herein, Suncraft Solutions Inc. makes no representation of warranty, expressed or implied, and assumes no responsibility for accuracy, sufficiency, or completeness of the information contained in this document.

WARNING: FAILURE TO READ, THOROUGHLY UNDERSTAND, AND FOLLOW ALL INSTRUCTIONS CAN RESULT IN SERIOUS PERSONAL INJURY, DAMAGE TO PERSONAL PROPERTY, OR VOIDING OF LIMITED WARRANTY!

It is the responsibility of the installer of this product to ensure all components are properly assembled and installed using the instructions provided. If you do not understand these instructions or have any questions or concerns, please contact customer service at 1-855-816-6868 or service@suncraftsolutions.com. Do not attempt to install or assemble this product if the product or hardware

is damaged or missing. In the event that replacement parts or hardware are needed, please contact Customer Service at 1-855-816-6868 or service@suncraftsolutions.com. International customers needing assistance should contact the Dealer from which they purchased the product

The included hardware is designed for use on vertical walls constructed of wood studs or solid concrete. A wood stud wall is defined as consisting of a minimum of 2x4 wooden studs (1.5" wide by 3.5" deep 51 x 102 mm) with a maximum of 5/8" (16 mm) drywall. The included hardware is not designed for use with metal studs or cinderblock walls. If you are uncertain or unknowledgeable about the construction of your wall, then please consult a qualified contractor or professional installer for assistance. The wall you are mounting to must support 4 times the weight of the total load. The load is defined as the TV and Mount along with anything else suspended from the mount. If not, then the surface must be reinforced to meet this standard. The installer is responsible for verifying that the wall structure and hardware used in any installation method will safely support the total load.