

# Cassette Player with AM/FM Radio

User's Guide for Model CAS337B v1902-01



## FCC Warnings

Warning: Changes or modifications to this unit not expressly approved by the party responsible for compliance could void the user's authority to operate the equipment.

NOTE: This equipment has been tested and found to comply with the limits for a Class B digital device, pursuant to Part 15 of the FCC Rules. These limits are designed to provide reasonable protection against harmful interference in a residential installation. This equipment generates, uses, and can radiate radio frequency energy and, if not installed and used in accordance with the instructions, may cause harmful interference to radio communications. However, there is no guarantee that interference will not occur in a particular installation. If this equipment does cause harmful interference to radio or television reception, which can be determined by turning the equipment off and on, the user is encouraged to try to correct the interference by one or more of the following measures:

- Reorient or relocate the receiving antenna.
- Increase the separation between the equipment and receiver.
- Connect the equipment into an outlet on a circuit different from that to which the receiver is connected.
- Consult the dealer or an experienced radio/TV technician for help.

## Additional Warnings and Precautions

- **CAUTION:** TO PREVENT ELECTRIC SHOCK, MATCH WIDE BLADE OF PLUG TO WIDE SLOT, FULLY INSERT.
- Mains plug is used as disconnect device and it should remain readily operable during intended use. In order to disconnect the apparatus from the mains completely, the mains plug should be disconnected from the mains socket outlet completely.
- **WARNING:** Shock hazard - Do Not Open.
- Caution and marking information is located at the rear or bottom of the apparatus.
- **WARNING:** To reduce the risk of fire or electric shock, do not expose this apparatus to rain, moisture, dripping, or splashing.
- **CAUTION:** Use of controls or adjustments or performance of procedures other than those specified may result in hazardous radiation exposure.
- **WARNING:** Changes or modifications to this unit not expressly approved by the party responsible for compliance could void the user's authority to operate the equipment.
- **CAUTION:** Danger of explosion if battery is incorrectly replaced. Replace only with the same or equivalent type.
- **WARNING:** There is a danger of explosion if you attempt to charge standard Alkaline batteries in the unit. Only use rechargeable NiMH batteries.
- Objects filled with liquids, such as vases, shall not be placed on the apparatus.

- Battery shall not be exposed to excessive heat such as sunshine, fire or the like.
- Keep new and used batteries away from children. If the battery compartment does not close securely, stop using the product and keep it away from children.
- If you think batteries might have been swallowed or placed inside any part of the body, seek immediate medical attention.
- Do not mix old and new batteries.
- Completely replace all old batteries with new ones.
- Do not mix alkaline, standard (carbon-zinc), or rechargeable (ni-cad, ni-mh, etc) batteries.
- Batteries should be recycled or disposed of as per state and local guidelines.
- This product meets and complies with all Federal regulations.



**WARNING:** This product can expose you to chemicals including lead, which is known to the State of California to cause cancer. For more information go to: [www.P65Warnings.ca.gov](http://www.P65Warnings.ca.gov)



**WARNING:** To reduce the risk of electric shock, do not remove cover (or back). No user-serviceable parts inside. Refer servicing to qualified service personnel.



The exclamation point within an equilateral triangle is intended to alert the user to the presence of important operating and maintenance (servicing) instructions in the literature accompanying the appliance.



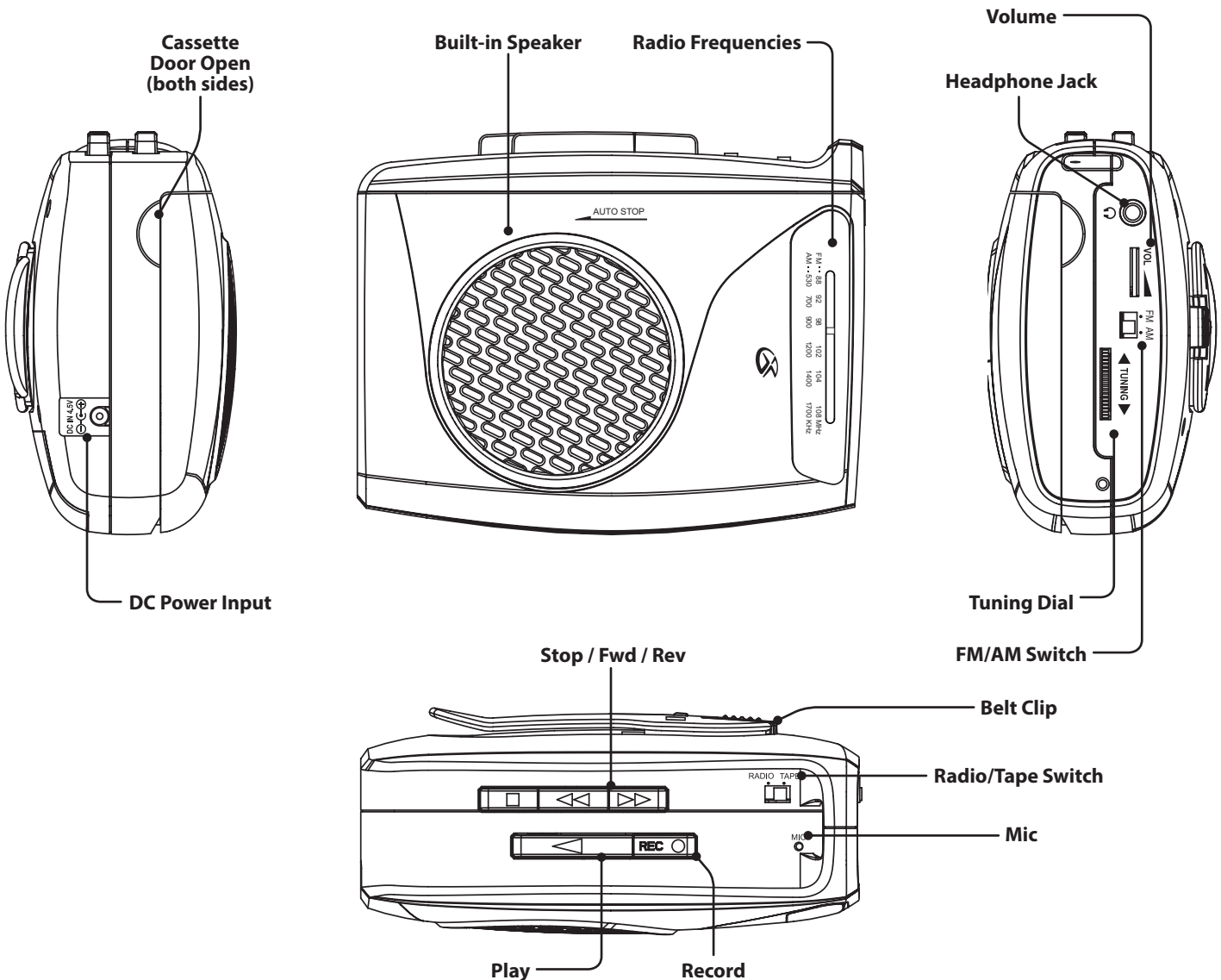
The lightning flash with arrowhead symbol, within an equilateral triangle, is intended to alert the user to the presence of uninsulated "dangerous voltage" within the product's enclosure that may be of sufficient magnitude to constitute a risk of electric shock to persons.



This symbol indicates that this product incorporates double insulation between hazardous mains voltage and user accessible parts.

**WARNING: DO NOT INGEST BATTERY, CHEMICAL BURN HAZARD.**

## Overview



---

## Overview

---

### Features

- Auto-stop at tape end
- Built-in microphone for recording
- Built-in AM/FM radio antenna (direct tuning)
- Built-in speaker with analog volume control
- 3.5mm headphone jack
- DC battery power:  
requires 2 AA batteries (not included)

### Includes

- One set of stereo earbuds
- Detachable belt clip

### CASSETTE TAPE USE:

Larger tapes with at least 45 minutes of playing time (C120) per side are not recommended. Longer duration tapes pose a greater risk of defect for both the cassette and the cassette player. Use only high quality tapes with a duration less than 45 minutes.

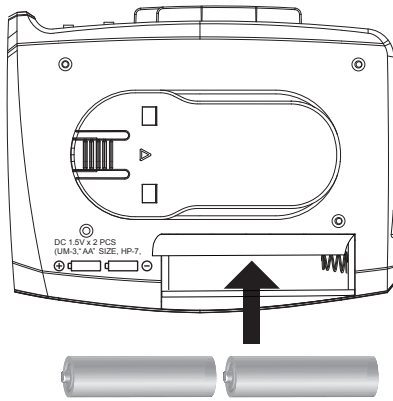
---

## Power

---

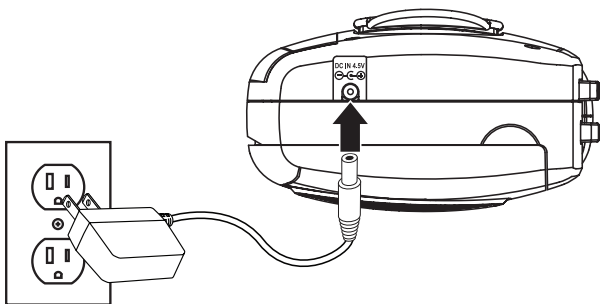
### Battery Power

For battery power, this unit requires 2 AA sized batteries (not included).



### DC Power Input (rated 4.5V)

Using an AC/DC Power Adapter (not included), plug the adapter into a standard power outlet, and the power cord into the DC Power Input on the unit.



---

## Playing Audio

---

### Playing a Cassette

1. Adjust the **Tape/Radio** switch to **Tape**.
2. Open the **Cassette Door** and insert a cassette tape.
3. Close the **Cassette Door**.
4. Use the cassette player's controls to play, pause, rewind, and fast forward audio from the cassette.
5. Turn the **Volume** dial to turn on the radio and adjust to the desired volume.

### Playing the AM/FM Radio

AM and FM antennas are built into the unit, and FM reception is further improved with the included earbuds. To improve AM reception, adjust the position of the unit. To improve FM reception, insert the earbuds and adjust the wire.

1. Adjust the **Tape/Radio** switch to **Radio**.
2. Adjust the **AM/FM** switch to the desired frequency band.
3. Turn the **Volume** dial to turn on the radio and adjust to the desired volume.
4. Adjust the **Tuning** dial to tune the radio.

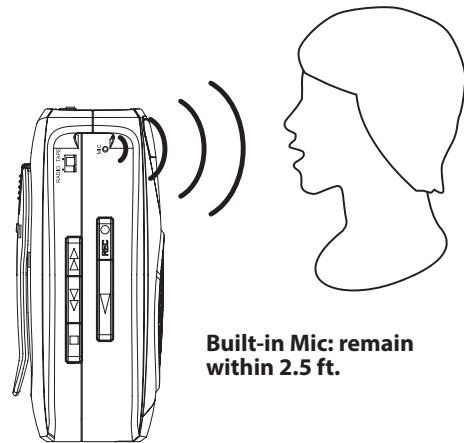
---

## Recording

---

**Note:** The recorder only records in Mono, Stereo is not available. The recorder will automatically set the recording level, the Volume dial does not control the recording level.

1. Open the cassette door, load a blank cassette, then close the cassette door.
2. When you are ready, press the **Play and Record** buttons at the same time to begin recording audio. *Do not force the Record button down if a tape's erase protection tabs have been removed, this may cause damage to the unit.*
3. Press the **Stop** button to stop recording. *Recording will stop automatically if you reach the end of the tape.*



---

## International Support

---

To download this User's Guide in English, Spanish, or French, or to get answers to frequently asked questions, visit the support section at: [www.gpx.com](http://www.gpx.com)

Para descargar este Manual del Usuario en inglés, español y francés, o para obtener respuestas a preguntas frecuentes, visite la sección de apoyo en: [www.gpx.com](http://www.gpx.com)

Pour télécharger ce guide de l'utilisateur en anglais, espagnol ou français, ou pour obtenir des réponses à des questions fréquemment posées, consultez la rubrique d'assistance sur: [www.gpx.com](http://www.gpx.com)

For Warranty Information and the most up-to-date version of this User's Guide, go to [www.gpx.com](http://www.gpx.com)

**Customer Service:** 1-888-999-4215 | **Email Support:** [prodinfo@dpiinc.com](mailto:prodinfo@dpiinc.com) | **Email Parts:** [partsinfo@dpiinc.com](mailto:partsinfo@dpiinc.com)

Copyright © 2017 Digital Products International (DPI, Inc.) All other trademarks appearing herein are the property of their respective owners. Specifications are subject to change without notice.



**Protect for Today  
Sustain for Tomorrow**