

*Marshall*

# MARSHALL FRIDGE

OWNER'S MANUAL  
MANUEL DU PROPRIÉTAIRE  
BEDIENUNGSANLEITUNG  
MANUAL DEL PROPIETARIO  
MANUALE DELL'UTENTE  
用戶手冊  
取扱説明書

[MARSHALL.COM](http://MARSHALL.COM)





## WARNING! SAFETY INSTRUCTIONS

**PLEASE READ THIS MANUAL CAREFULLY BEFORE PLUGGING IN. FOLLOW ALL INSTRUCTIONS AND HEED ALL WARNINGS.**

### WARNING!

Improper use of the grounding plug can result in a risk of electric shock. Please consult a qualified electrician if the grounding instructions are not completely understood or if doubt exists as to whether the appliance is properly grounded.

### ELECTRICAL REQUIREMENTS

- This appliance must be grounded. In the event of an electrical short circuit, grounding reduces the risk of electrical shock by providing an escape wire for the electrical current.
- This appliance is equipped with a cord that has a grounding wire with a grounding plug. The plug must be plugged into an outlet that is properly installed and grounded.



### RISK OF FIRE

### ELECTRICAL CONNECTION

- There is no power on the exterior control panel of the refrigerator. The switches do not light up; the knobs and jacks are aesthetic only.
- The voltage should be limited within these ranges: 187V to 242V for UK, EU, Australia, China and 100V to 120V for North America or the main motor will be damaged.
- Do not under any circumstances cut or remove the third ground prong from the power cord supplied. For personal safety, this appliance must be properly grounded.
- Have the wall outlet and circuit checked by a qualified electrician to make sure the outlet is properly grounded.
- When a standard 2-prong wall outlet is encountered, it is the customer's responsibility and obligation to have it replaced with a properly grounded 3-prong wall outlet.
- For voltage and outlet style please refer to our website [www.marshall.com](http://www.marshall.com).
- The appliance should be positioned so that the wall outlet is easily accessible.
- The cord should be secured behind the refrigerator and not left exposed or dangling to prevent accidental injury.
- Never unplug the refrigerator by pulling the power cord. Always grip the plug firmly and pull straight out from the receptacle.
- Repair or replace immediately all power cords that have become frayed or otherwise damaged.
- Do not use a cord that shows cracks or abrasion damage along its length or at either end.
- When moving the refrigerator be careful not to damage the power cord.
- If the power cord is damaged, it must be replaced by the manufacturer, its service agent or similarly qualified persons in order to avoid a hazard.

### DANGER

- It is recommended that a separate circuit, serving only your refrigerator be provided. Use receptacles that cannot be turned off by a switch or pull chain.
- Do not connect or disconnect the electric plug when your hands are wet.
- Unplug the refrigerator or disconnect power before cleaning or servicing. Failure to do so can result in electrical shock or death.
- Do not attempt to repair or replace any part of your refrigerator unless it is specifically recommended in this manual.
- All other servicing must be referred to a qualified technician.
- Risk of fire or explosion. Flammable refrigerant used. Do not puncture refrigerant tubing.

### WARNING

- To ensure proper ventilation, the front of the refrigerator must be completely unobstructed.
- Position in a well-ventilated area with temperatures above 60°F (16°C) and below 90°F (32°C).
- The refrigerator must be installed in an area protected from the weather

- or other external conditions, such as wind, rain, water spray or drips.
- The refrigerator should not be located next to ovens, grills or other sources of high heat.
- Do not kink or pinch the power supply cord of refrigerator.
- Make sure that the pipes are not pinched, kinked or damaged during installation.
- Do not use mechanical devices or other means to accelerate the defrosting process, other than those recommended by the manufacturer.
- Do not damage the refrigerator circuit.
- Do not use electrical appliances inside the food storage compartments of appliance, unless they are of the type recommended by the manufacturer.
- Keep ventilation openings, in the appliance enclosure or in the built-in structure, clear of obstruction.
- (UK specification only / Plug Type G) plug contains 13-amp fuse.

### CAUTION

- Risk of fire or explosion. Flammable refrigerant used. Consult repair manual/owner's guide before attempting to service this product. All safety precautions must be followed.
- Risk of fire or explosion. Dispose of property in accordance with federal or local regulations. Flammable refrigerant used.
- Risk of fire or explosion due to puncture of refrigerant tubing. Follow handling instructions carefully. Flammable refrigerant used.

**Do not use an extension cord:** Use an exclusive wall outlet. Do not connect the refrigerator to extension cords together with any other appliance in the same wall outlet. Do not splice the cord.

**IMPORTANT WARNING:** Never clean the refrigerator parts with flammable fluids as this can cause a fire hazard or explosion. Do not store explosive substances such as aerosol cans with a flammable propellant in this appliance.

**DANGER:** Risk of child containment! Never allow children to operate, play with or crawl inside the appliance. Do not let children pull or play with the knobs or put them in their mouths.

This appliance is not intended for use by persons (including children under 8) with reduced physical, sensory or mental capabilities, or lack of experience and knowledge, unless they have been given supervision or instruction concerning use of the appliance by a person responsible for their safety.

This appliance is intended to be used in household and similar applications such as:

- Staff kitchen areas in shops, offices and other working environments
- Hotels and other accommodation
- Catering and hospitality applications

### When disposing of a refrigerator:

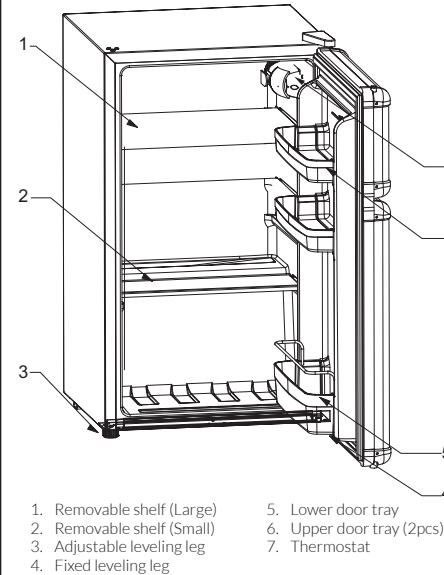
- Remove the door.
- Leave shelves in place so that children are not able to climb inside.
- Dispose of any refrigerator in accordance with local regulations/laws.

For more safety information specific to your region, visit the website: [www.marshall.com](http://www.marshall.com).

### CERTIFICATION

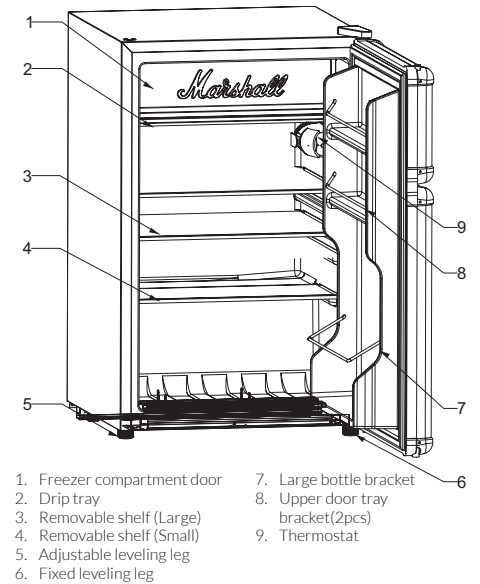
To view all Marshall Fridge certifications, visit the website: [www.marshall.com](http://www.marshall.com).

## 3.2 FRIDGE



|              |   |
|--------------|---|
| PRODUCT      | Model MF 3.2 BLK  |
| DIMENSIONS   | 791mm x 450mm x 470mm   |
| WEIGHT       | 21kg  |
| ACCESSORIES  | Removable shelves, thermostat, Marshall script logo and authentic amp parts |
| POWER SUPPLY | 110V/60Hz or 220V~240V/50Hz   |
| CAPACITY     | 92L   |

## 4.4 FRIDGE



|              |   |
|--------------|---|
| PRODUCT      | Model MF 4.4 BLK  |
| DIMENSIONS   | 820mm x 500mm x 568mm   |
| WEIGHT       | 28kg  |
| ACCESSORIES  | Removable shelves, thermostat, Marshall script logo, authentic amp parts, freezer compartment and drip tray |
| POWER SUPPLY | 110V/60Hz or 220V~240V/50Hz   |
| CAPACITY     | 126L  |

## INSTALLATION INSTRUCTIONS

### BEFORE USING YOUR REFRIGERATOR

Remove exterior and interior packaging; wipe the outside thoroughly with a soft, dry cloth and the inside with a damp, lukewarm cloth.

Before connecting the refrigerator to the power source, let it stand upright for approximately 2 hours. This will reduce the possibility of a malfunction in the cooling system from handling during transportation.

### INSTALLING YOUR REFRIGERATOR

This appliance is designed to be free standing only and should not be recessed or in-built. Avoid placing the refrigerator near any heat source, direct sunlight or moisture. Let air circulate freely.

#### Follow the steps below carefully:

- Select a place with a level floor.
- Allow 10cm or 4 inches of space between the back of the refrigerator and any adjacent wall.
- Avoid direct sun and heat. Direct sunlight may affect the coating. Heat sources nearby will cause higher electricity consumption.
- Avoid damp places.
- The product is for household use only and avoid exposure to outdoor elements.

- Hold the base and lift carefully. Do not tilt more than 45 degrees and never hold the door for support. Never place it upside down or on its side.
- Push the refrigerator into place.
- Plug the refrigerator into an exclusive, properly installed-grounded wall outlet. Do not under any circumstances cut or remove the third (ground) prong from the power cord. Any questions concerning power and/or grounding should be directed to a certified electrician. For voltage and outlet style, visit the website: [www.marshall.com](http://www.marshall.com).
- After plugging the appliance into a wall outlet, allow the refrigerator to cool down for 2-3 hours before placing food in the refrigerator and chiller compartments.
- Do not place heavy objects on top of the refrigerator.

## OPERATING INSTRUCTIONS

### SETTING THE TEMPERATURE CONTROL

- The temperature control panel is located on the upper part of the refrigerator. The first time you turn on the refrigerator, set the temperature control to 4.
- The range of temperature control is from position 1 to 7. After 24 to 48 hours, adjust the temperature control to the setting that best suits your needs. Level 4 is recommended.
- To turn off the refrigerator, change the temperature control to "0".

**USING YOUR ICE CUBE TRAY (4.4 FRIDGE ONLY)**

- Recommended thermostat setting for ice making is position 5-7.
- Fill 2/3 of the ice cube tray with cold water or any liquid suitable for freezing and place the tray on the bottom of the chiller compartment to freeze properly.
- Dry the tray; otherwise it may stick to the bottom of the chiller.
- The best method to get ice cubes out of the tray is to hold the tray under cold tap for a second.
- To eject the ice cubes, place the tray over the ice bucket and twist slightly.

**CARE AND MAINTENANCE**

**REFRIGERATOR EXTERIOR CARE**

Use a dry cloth to dust off fret cloth fabric, very gently. Use a damp cloth for metal surfaces.

**FOOD STORAGE**

Allow hot dishes to cool to room temperature before storing. Place food items in proper airtight containers.

**CAUTION**

Failure to unplug the refrigerator before maintenance could result in electrical shock or personal injury.

**CLEANING YOUR REFRIGERATOR**

- It is recommended to clean your refrigerator monthly.
- Before proceeding with cleaning and maintenance operations, make sure the power cord of the refrigerator is disconnected.
- Turn the temperature control to "0", unplug the refrigerator and remove the food, shelves and trays.
- Wash the inside surfaces with warm water and baking soda. The solution should be about 2 tablespoons of baking soda to a quart of water.
- Wash the shelves and trays with a mild detergent solution.
- The outside of the refrigerator should be cleaned with a soft, dry cloth.
- Do not use solvent-based cleaning agents or abrasives on the interior. These cleaners may damage or discolour the interior.

**DEFROSTING YOUR REFRIGERATOR (4.4 FRIDGE ONLY)**

The defrosting of your refrigerator should take place whenever ice build-up inside the chiller compartment reaches 1/4 inch (6mm) of thickness.

- Set the thermostat dial to "0" position.
- Unplug the refrigerator.
- Remove everything from the refrigerator during defrosting.
- Be sure the drip tray is in place!
- Leave the door partially ajar during defrosting to speed up the process. Please Note: Water may drip out of the drip tray during the defrost cycle. Keep a towel in the bottom of the fridge to contain any water that overflows the drip tray.

When the defrosting has been completed, empty the drip tray and dry the inside of the refrigerator thoroughly. Plug the power cord in again and set the cooling control as required. It will take some time for the refrigerator to reach operational temperature. Reload your refrigerator when the inside temperature has cooled again.

Never use sharp or pointed instruments to remove ice from the chiller compartment. The chiller compartment contains refrigerated gas lines that if accidentally punched/pierced, will render the refrigerator inoperable and void the manufacturer's warranty.

**POWER FAILURE**

You should minimise the number of door openings while the power is off. During power failures in excess of 2 hours, please take steps to protect your food.

**HOLIDAYS**

For short holidays, leave the control knob at its normal setting. During absences greater than three weeks:

- Remove all food.
- Disconnect the power cord from electrical outlet.
- Clean the refrigerator thoroughly.

- Leave the door open to avoid possible formations of condensate, mould or odours.

**IF YOU MOVE**

- Remove all loose items inside the refrigerator.
- To avoid damaging the levelling legs, turn them all the way into the base.
- The refrigerator should be in the upright position during transportation.
- Tape the door if you judge necessary.

**ENERGY SAVING TIPS**

- The refrigerator should be placed in the coolest area of the room; away from heat producing appliances and out of direct sunlight.
- Cool down food to room temperature before placing in the refrigerator.
- Wrap food properly and wipe containers dry before placing them in the refrigerator.
- Organise and label food to reduce door opening and extended searches. Remove as many items as needed at one time and close the door as soon as possible.

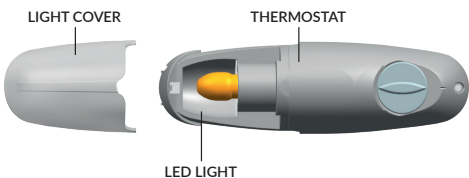
**CHILLER COMPARTMENT (4.4 FRIDGE ONLY)**

This compartment is designed for production of ice cubes and short-term storage (3-4 days) of some commercially frozen foods. The temperature in this compartment does not get cold enough to freeze food safely for long periods and works best when the food is already frozen.

The chiller door is susceptible to breaking due to excessive ice build-up. This part is not covered under your warranty. Defrost when ice builds up more than 1/4inch (6mm).

**CHANGING THE LED LIGHT BULB**

- Unplug the refrigerator. Be sure the unit power is OFF.
- Open the door. Remove the clear plastic light cover.
- Unscrew the LED light bulb in counter clockwise direction until it becomes loose.
- Once removed, install the new light and reinstall the cover.
- Plug the fridge in again.



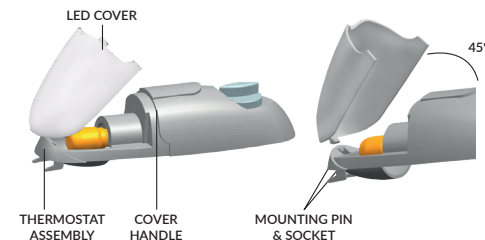
**LED PROTECTIVE COVER REMOVAL AND INSTALLATION**

**Light Cover Removal**

Hold the LED cover handles and pull the cover up about 45 degrees. Remove the cover from the thermostat.

**Light Cover Installation**

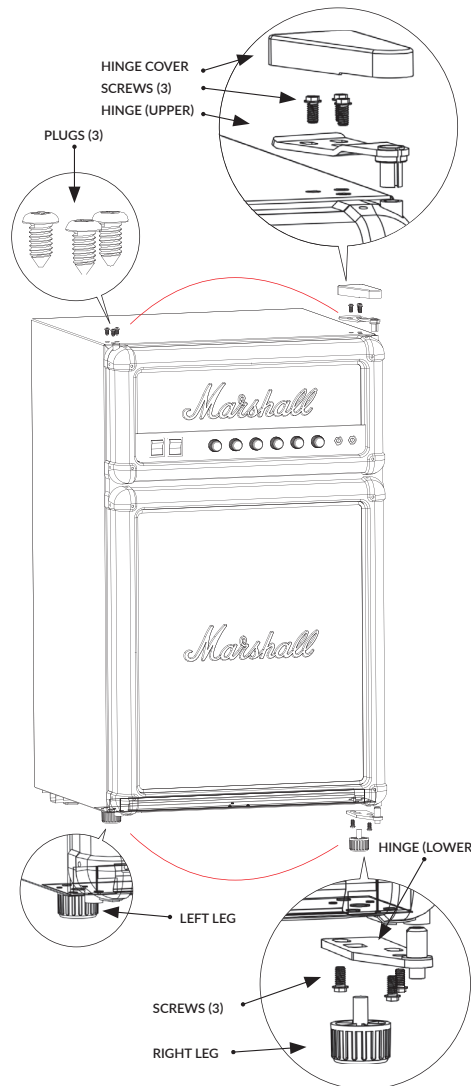
Holding the LED cover at 45 degrees, place the mounting pin into the socket. Push the cover firmly into the thermostat.



**REVERSING THE DOOR SWING**

Your refrigerator is built with a reversible door. You have the choice of either opening it from the left or the right side. In order to reverse the opening direction of your door, please follow these instructions:

- Unplug the power cord from wall outlet and empty all contents from the refrigerator.
- Remove hinge cover and unscrew hinge screws. Remove top hinge.
- Uninstall the support legs and unscrew the bottom hinge screws.
- Change the position of lower hinge to the opposite side of the appliance, support the door onto the lower hinge, replace screws and support legs.
- Remove plastic plugs and align door to the upper hinge. Reattach upper hinge with screws and fit hinge cover over hinge.
- Press the plastic plugs into the open holes.



**TROUBLE SHOOTING GUIDE**

| Problem                          | Possible cause/solution  |
|----------------------------------|--|
| Does not work                    | <ul style="list-style-type: none"> <li>No power to refrigerator.</li> <li>Not plugged in.</li> <li>The circuit breaker tripped or a blown fuse.</li> <li>The refrigerator temperature control is set at "0" position.</li> </ul>   |
| Turns on and off frequently      | <ul style="list-style-type: none"> <li>The room temperature is hotter than normal.</li> <li>A large amount of food has been added to the refrigerator.</li> <li>The door is opened too often.</li> <li>The door is not closed completely.</li> <li>The temperature control is not set correctly.</li> <li>The door gasket does not seal properly.</li> <li>The refrigerator does not have the correct clearances.</li> </ul>   |
| Does not cool sufficiently       | <ul style="list-style-type: none"> <li>Door is opened often and left open.</li> <li>Refrigerator is too close to the wall or heat source.</li> <li>Too much food or beverage stored inside the refrigerator.</li> <li>Temperature is not correctly regulated.</li> </ul>   |
| Vibration                        | <ul style="list-style-type: none"> <li>The refrigerator is not level.</li> </ul>   |
| Loud noise                       | <ul style="list-style-type: none"> <li>The rattling noise may come from the flow of the refrigerant, which is normal.</li> <li>As each cycle ends, you may hear gurgling sounds caused by the flow of refrigerant in your refrigerator.</li> <li>Contraction and expansion of the inside walls may cause popping and crackling noises.</li> <li>The refrigerator is not level.</li> <li>The refrigerator is in contact with surrounding objects.</li> <li>Interior shelves may be out of place.</li> </ul> |
| The door will not close properly | <ul style="list-style-type: none"> <li>The refrigerator is not level.</li> <li>The gasket is dirty or bent.</li> <li>The shelves, bins or baskets are out of position.</li> </ul>  |
| Smell                            | <ul style="list-style-type: none"> <li>Food or beverage are not properly covered.</li> <li>Refrigerator requires cleaning.</li> </ul>  |
| Back-wall ice crystals           | <ul style="list-style-type: none"> <li>Under normal use, this ice build-up will melt away. If the door is open frequently or is not closed, the ice build-up could be significant and may require defrosting.</li> </ul>   |

If symptoms persist or are not covered within the troubleshooting guide, please contact a qualified technician or refer to our website: [www.marshall.com](http://www.marshall.com).

**REFRIGERATOR WARRANTY**

For warranty information and legal information specific to your region, please visit the website: [www.marshall.com](http://www.marshall.com).

This limited warranty gives you specific legal rights, and you also may have other rights that vary from state to state or country to country. Some places do not allow limitations on implied warranties or the exclusion or limitation of incidental or consequential damages, so the above limitations or exclusions may not apply to you.

**DISPOSAL**

This product should not be disposed with other household wastes throughout the EU. To prevent possible harm to the environment or human health from uncontrolled waste disposal, recycle it responsibly to promote the sustainable reuse of material resources.

The disposal of this refrigerator is subject to the Waste from Electrical and Electronic Equipment (WEEE) Directive of the European Union. For more detailed information about the recycling of your refrigerator, please contact your local authority, household waste disposal service, or the retail store where your refrigerator was purchased.



## MISE EN GARDE ! CONSIGNES DE SÉCURITÉ

**VEUILLEZ LIRE ATTENTIVEMENT CE MANUEL AVANT LE BRANCHEMENT.  
SUIVEZ TOUTES LES INSTRUCTIONS ET PRENEZ EN COMPTE TOUTES LES MISES EN GARDE.**

### MISE EN GARDE !

Une mauvaise utilisation de la fiche de terre peut entraîner un risque d'électrocution. Veuillez consulter un électricien qualifié si les instructions de mise à la terre ne sont pas complètement comprises ou en cas de doute concernant la mise à la terre correcte de l'appareil.

### EXIGENCES ÉLECTRIQUES

- Cet appareil doit être mis à la terre. En cas de court-circuit électrique, la mise à la terre réduit le risque d'électrocution en fournissant un fil d'évacuation pour le courant électrique.
- Cet appareil est équipé d'un cordon doté d'un fil de terre et d'une fiche de terre. La fiche doit être branchée sur une prise correctement installée et mise à la terre.



### RISQUE D'INCENDIE

#### CONNEXION ÉLECTRIQUE

- Le panneau de commande extérieur du réfrigérateur n'est pas alimenté. Les interrupteurs ne s'allument pas ; les boutons et les connecteurs sont uniquement esthétiques.
- La tension doit être limitée à ces plages : 187 V à 242 V pour le Royaume-Uni, l'UE, l'Australie, la Chine et 100 V à 120 V pour l'Amérique du Nord. Faute de quoi, le moteur principal sera endommagé.
- En aucune circonstance, vous ne devez couper ou retirer la troisième broche de terre du cordon d'alimentation fourni. Pour votre sécurité personnelle, cet appareil doit être correctement mis à la terre.
- Faites vérifier la prise murale et le circuit par un électricien qualifié pour vous assurer que la prise est correctement mise à la terre.
- Lorsque qu'il y a une prise murale standard à 2 broches, il incombe au client de la faire remplacer par une prise murale à 3 broches correctement mise à la terre.
- Pour la tension et le style de prise, veuillez consulter notre site Web [www.marshall.com](http://www.marshall.com).
- L'appareil doit être placé de manière à ce que la prise murale soit facilement accessible.
- Le cordon doit être sécurisé derrière le réfrigérateur et ne doit pas être exposé ni pendu pour éviter des blessures accidentelles.
- Ne débranchez jamais le réfrigérateur en tirant sur le cordon d'alimentation. Saisissez toujours fermement la fiche et sortez-la de manière droite de la prise.
- Réparez ou remplacez immédiatement tous les cordons d'alimentation effilochés ou endommagés.
- N'utilisez pas de cordon présentant des craquelures ou des dommages dus à l'abrasion sur toute sa longueur ou à l'une de ses extrémités.
- Lorsque vous déplacez le réfrigérateur, veillez à ne pas endommager le cordon d'alimentation.
- Si le cordon d'alimentation est endommagé, il doit être remplacé par le fabricant, son agent de service ou des personnes de qualification similaire pour éviter tout risque.

### DANGER

- Il est recommandé de prévoir un circuit séparé, destiné uniquement à votre réfrigérateur. Utilisez des prises qui ne peuvent pas être désactivées par un interrupteur ou une chaînette à tirer.
- Ne connectez pas et ne déconnectez pas la fiche électrique lorsque vos mains sont mouillées.
- Débranchez le réfrigérateur ou déconnectez l'alimentation avant le nettoyage ou l'entretien. Faute de quoi, vous risquez une électrocution ou la mort.
- N'essayez pas de réparer ou de remplacer une pièce de votre réfrigérateur à moins que cela ne soit spécifiquement recommandé dans ce manuel.
- Tout autre entretien doit être confié à un technicien qualifié.
- Risque d'incendie ou d'explosion. Le réfrigérant utilisé est inflammable. Ne percez pas la tuyauterie du réfrigérant.

### MISE EN GARDE

- Pour assurer une ventilation adéquate, l'avant du réfrigérateur doit être complètement dégagé.
- Positionnez-le dans un endroit bien ventilé à des températures

supérieures à 16 °C (60 °F) et inférieures à 32 °C (90 °F).

- Le réfrigérateur doit être installé dans une zone protégée des intempéries ou d'autres conditions extérieures, telles que le vent, la pluie, les projections d'eau ou les égouttements.
- Le réfrigérateur ne doit pas être placé à côté de fours, de grils ou d'autres sources de chaleur intense.
- Ne pliez pas et ne pincez pas le cordon d'alimentation du réfrigérateur.
- Assurez-vous que les tuyaux ne sont pas pincés, pliés ou endommagés lors de l'installation.
- N'utilisez pas de dispositifs mécaniques ou d'autres moyens pour accélérer le processus de dégivrage, autres que ceux recommandés par le fabricant.
- N'endommagez pas le circuit du réfrigérateur.
- N'utilisez pas d'appareils électriques à l'intérieur des compartiments de conservation des aliments, à moins qu'ils ne soient du type recommandé par le fabricant.
- Gardez les ouvertures de ventilation du boîtier de l'appareil ou de la structure intégrée, dégagées de toute obstruction.
- La fiche (spécification du Royaume-Uni uniquement / fiche de type G) contient un fusible de 13 ampères.

### ATTENTION

- Risque d'incendie ou d'explosion. Le réfrigérant utilisé est inflammable. Consultez le manuel de réparation / guide du propriétaire avant de tenter de procéder à l'entretien de ce produit. Toutes les consignes de sécurité doivent être respectées.
- Risque d'incendie ou d'explosion. Mise au rebut de biens conformément à la réglementation fédérale ou locale. Le réfrigérant utilisé est inflammable.
- Risque d'incendie ou d'explosion en cas de perforation de la tuyauterie du réfrigérant. Suivez scrupuleusement les instructions de manipulation. Le réfrigérant utilisé est inflammable.

**N'utilisez pas de rallonge électrique :** Utilisez une prise murale exclusive. Ne connectez pas le réfrigérateur à des rallonges électriques en même temps que d'autres appareils dans la même prise murale. N'épissez pas le cordon.

**MISE EN GARDE IMPORTANTE :** Ne nettoyez jamais les pièces du réfrigérateur avec des liquides inflammables car cela pourrait provoquer un incendie ou une explosion. Ne stockez pas de substances explosives telles que des bombes aérosol contenant un gaz propulseur inflammable dans cet appareil.

**DANGER :** Risque de confinement des enfants ! Ne laissez jamais les enfants utiliser, jouer avec, ou ramper à l'intérieur de l'appareil. Ne laissez pas les enfants tirer ou jouer avec les boutons ni les mettre dans la bouche.

Cet appareil n'est pas destiné à être utilisé par des personnes (y compris les enfants de moins de 8 ans) ayant des capacités physiques, sensorielles ou mentales réduites, ou manquant d'expérience et de connaissances, sauf sous la surveillance ou s'ils ont reçu des instructions concernant l'utilisation de l'appareil d'une personne responsable de leur sécurité.

Cet appareil est destiné à un usage domestique et à des endroits similaires telles que :

- Zones de cuisine des magasins, bureaux et autres environnements de travail
- Hôtels et autres hébergements
- Centres de restauration et d'accueil

#### Lors de la mise au rebut d'un réfrigérateur :

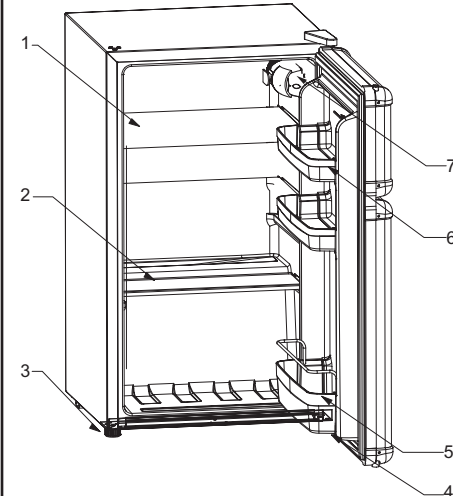
- Retirez la porte.
- Laissez les étagères en place afin que les enfants ne puissent pas accéder à l'intérieur.
- Mettez au rebut le réfrigérateur conformément aux lois et réglementations en vigueur.

Pour plus d'informations sur la sécurité spécifiques à votre région, visitez le site Web : [www.marshall.com](http://www.marshall.com).

### CERTIFICATION

Pour consulter toutes les certifications de Marshall Fridge, visitez le site Web : [www.marshall.com](http://www.marshall.com).

## 3.2 FRIDGE



- |                                 |                             |
|---------------------------------|-----------------------------|
| 1. Étagère amovible (grande)    | 4. Pied de nivellement fixe |
| 2. Étagère amovible (petite)    | 5. Bac de porte inférieure  |
| 3. Pied de nivellement réglable | 6. Bac de porte supérieure  |
|                                 | 7. Thermostat               |

|                                |  |
|--------------------------------|--|
| <b>PRODUIT</b>                 | Modèle MF 3.2 BLK  |
| <b>DIMENSIONS</b>              | 791mm x 450mm x 470mm  |
| <b>POIDS</b>                   | 21kg   |
| <b>ACCESSOIRES</b>             | Étagères amovibles, thermostat, logo Marshall et pièces d'ampli authentiques |
| <b>ALIMENTATION ÉLECTRIQUE</b> | 110V/60Hz or 220V~240V/50Hz  |
| <b>CAPACITÉ</b>                | 92L  |

## INSTRUCTIONS D'INSTALLATION

### AVANT D'UTILISER VOTRE RÉFRIGÉRATEUR

Retirez les emballages extérieurs et intérieurs ; essuyez l'extérieur avec un chiffon doux et sec et l'intérieur avec un chiffon humide et tiède.

Avant de connecter le réfrigérateur à la source d'alimentation, laissez-le en position verticale pendant environ 2 heures. Cela réduira les risques de dysfonctionnement du système de refroidissement dus à la manipulation lors du transport.

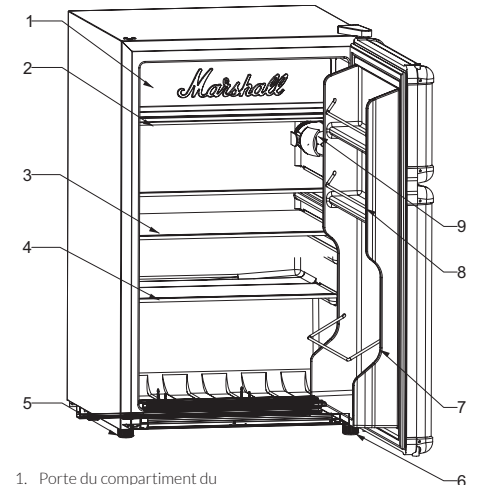
### INSTALLER VOTRE RÉFRIGÉRATEUR

Cet appareil est conçu pour être posé librement et ne doit pas être encastré ni intégré. Évitez de placer le réfrigérateur près d'une source de chaleur, de la lumière directe du soleil ou de l'humidité. Permettez à l'air de circuler librement.

#### Suivez scrupuleusement les étapes ci-dessous :

- Choisissez un endroit avec un sol à niveau.
- Laissez 10 cm ou 4 pouces d'espace entre l'arrière du réfrigérateur et tout mur adjacent.
- Évitez l'exposition directe au soleil et la chaleur. La lumière directe du soleil peut altérer le revêtement. Les sources de chaleur proches provoquent une augmentation de la consommation d'électricité.
- Évitez les endroits humides.

## 4.4 FRIDGE



- |   |                               |
|---|-------------------------------|
| 1. Porte du compartiment du congélateur | 6. Pied de nivellement fixe   |
| 2. Bac d'égouttement                    | 7. Grand support de bouteille |
| 3. Étagère amovible (grande)            | 8. Bac de porte supérieure    |
| 4. Étagère amovible (petite)            | 9. Thermostat                 |
| 5. Pied de nivellement réglable         |                               |

|                                |  |
|--------------------------------|--|
| <b>PRODUIT</b>                 | Modèle MF 4.4 BLK  |
| <b>DIMENSIONS</b>              | 820mm x 500mm x 568mm  |
| <b>POIDS</b>                   | 28kg   |
| <b>ACCESSOIRES</b>             | Étagères amovibles, thermostat, logo Marshall, pièces d'ampli authentiques, compartiment de congélateur et bac d'égouttement |
| <b>ALIMENTATION ÉLECTRIQUE</b> | 110V/60Hz or 220V~240V/50Hz  |
| <b>CAPACITÉ</b>                | 126L   |

- Le produit est destiné à un usage domestique uniquement et l'exposition aux éléments extérieurs doit être évitée.
- Tenez la base et soulevez-le délicatement. Ne l'inclinez pas à plus de 45 degrés et n'utilisez jamais la porte comme support. Ne le placez jamais à l'envers ou sur le côté.
- Poussez le réfrigérateur jusqu'à sa place.
- Branchez le réfrigérateur dans une prise murale exclusive correctement mise à la terre. En aucune circonstance, vous ne devez couper ou retirer la troisième broche (de terre) du cordon d'alimentation. Toute question relative à l'alimentation et / ou à la mise à la terre doit être adressée à un électricien ou à un centre d'appels agréés. Pour la tension et le style de prise, visitez le site Web [www.marshall.com](http://www.marshall.com).
- Après avoir branché l'appareil dans une prise murale, laissez le réfrigérateur refroidir pendant 2-3 heures avant de placer les aliments dans les compartiments du réfrigérateur et du refroidisseur.
- Ne mettez pas d'objets lourds sur le réfrigérateur.

## MODE D'EMPLOI

### RÉGLAGE DU THERMOSTAT

- Le panneau du thermostat est situé dans la partie supérieure du réfrigérateur. La première fois que vous allumez le réfrigérateur, réglez le thermostat sur 4.
- La plage du thermostat va de la position 1 à la position 7. Au bout de 24 à

48 heures, réglez le thermostat sur le paramètre qui convient le mieux à vos besoins. Le niveau 4 est recommandé.

- Pour éteindre le réfrigérateur, réglez le thermostat sur « 0 ».

### UTILISATION DE VOTRE BAC À GLAÇONS (FRIDGE 4.4 UNIQUEMENT)

- Le réglage de thermostat recommandé pour faire des glaçons est la position 5-7.
- Remplissez les 2/3 du bac à glaçons avec de l'eau froide ou tout autre liquide adapté à la congélation et placez-le au fond du compartiment du refroidisseur pour le congeler correctement.
- Séchez le bac ; sinon, il pourrait coller au bas du refroidisseur.
- La meilleure méthode pour extraire les glaçons du bac consiste à le maintenir sous un robinet d'eau froide pendant une seconde.
- Pour éjecter les glaçons, placez le bac au-dessus du seuil à glace et tordez-le légèrement

## ENTRETIEN ET MAINTENANCE

### ENTRETIEN EXTÉRIEUR DU RÉFRIGÉRATEUR

Utilisez un chiffon sec pour dépoussiérer très délicatement le tissu en frette. Utilisez un chiffon humide pour les surfaces métalliques.

### CONSERVATION DES ALIMENTS

Laissez les plats chauds refroidir à la température ambiante avant de les conserver. Placez les aliments dans des contenants hermétiques appropriés.

### ATTENTION

Si vous ne débranchez pas le réfrigérateur avant l'entretien, vous risquez de vous électrocuter ou de vous blesser.

### NETTOYER VOTRE RÉFRIGÉRATEUR

- Il est recommandé de nettoyer votre réfrigérateur tous les mois.
- Avant de procéder aux opérations de nettoyage et d'entretien, assurez-vous que le cordon d'alimentation du réfrigérateur est débranché.
- Mettez le thermostat sur « 0 », débranchez le réfrigérateur et retirez les aliments, les étagères et les bacs.
- Lavez les surfaces intérieures avec de l'eau tiède et du bicarbonate de soude. La solution devrait être d'environ 2 cuillères à soupe de bicarbonate de soude pour un litre d'eau.
- Lavez les étagères et les bacs avec une solution détergente douce.
- L'extérieur du réfrigérateur doit être nettoyé avec un chiffon doux et sec.
- N'utilisez pas de produits de nettoyage à base de solvants ni d'abrasifs à l'intérieur. Ces nettoyants peuvent endommager ou décolorer l'intérieur.

### DÉGIVRAGE DE VOTRE RÉFRIGÉRATEUR (FRIDGE 4.4 UNIQUEMENT)

Le dégivrage de votre réfrigérateur doit avoir lieu chaque fois que la glace accumulée à l'intérieur du compartiment du refroidisseur atteint 6 mm (1/4 de pouce) d'épaisseur.

- Réglez le cadran du thermostat sur « 0 ».
- Débranchez le réfrigérateur.
- Retirez tout ce qui trouve à l'intérieur du réfrigérateur pendant le dégivrage.
- Assurez-vous que le bac d'égouttement est en place !
- Laissez la porte partiellement entrouverte pendant le dégivrage pour accélérer le processus. Remarque : il est possible que de l'eau s'écoule du bac d'égouttement pendant le cycle de dégivrage. Conservez une serviette dans le bas du réfrigérateur pour contenir l'eau qui déborde du bac d'égouttement.

Une fois le dégivrage terminé, videz le bac d'égouttement et séchez soigneusement l'intérieur du réfrigérateur.

Rebranchez le cordon d'alimentation et réglez le thermostat selon vos besoins. Il faudra un certain temps pour que le réfrigérateur atteigne sa température de fonctionnement. Remettez tout dans votre réfrigérateur lorsque l'intérieur sera de nouveau froid.

N'utilisez jamais d'instruments pointus ou tranchants pour retirer la glace du compartiment du refroidisseur. Le compartiment du refroidisseur contient des conduites de gaz réfrigérées qui, en cas de perforation accidentelle, rendrait le réfrigérateur inutilisable et annulerait la garantie du fabricant.

### PANNE ÉLECTRIQUE

Vous devez minimiser le nombre d'ouvertures de la porte lorsque l'appareil est hors tension. En cas de pannes électriques de plus de 2 heures, veuillez prendre des mesures pour protéger vos aliments.

### VACANCES

Pour de courtes vacances, laissez le bouton de commande sur son réglage normal. Pour des absences de plus de trois semaines :

1. Retirez tous les aliments.
2. Débranchez le cordon d'alimentation de la prise électrique.
3. Nettoyez le réfrigérateur soigneusement.
4. Laissez la porte ouverte pour éviter toute formation éventuelle de condensat, de moisissure ou d'odeurs.

### SI VOUS DÉMÉNAGEZ

- Retirez tous les objets en vrac à l'intérieur du réfrigérateur.
- Pour ne pas endommager les pieds de nivellement, tournez-les complètement dans la base.
- Le réfrigérateur doit être en position verticale pendant le transport.
- Scotchez la porte si vous le jugez nécessaire.

### CONSEILS D'ÉCONOMIE D'ÉNERGIE

- Le réfrigérateur doit être placé dans l'endroit le plus frais de la pièce, loin des appareils produisant de la chaleur et à l'abri de la lumière directe du soleil.
- Laissez refroidir les aliments à la température ambiante avant de les mettre dans le réfrigérateur.
- Emballez correctement les aliments et essuyez les contenants avant de les mettre dans le réfrigérateur.
- Organisez et étiquetez les aliments pour réduire les ouvertures de la porte et les recherches prolongées. Enlevez autant de choses que nécessaire en même temps et fermez la porte dès que possible.

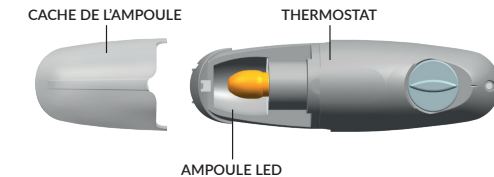
### COMPARTIMENT DU REFRIGÉRATEUR (FRIDGE 4.4 UNIQUEMENT)

Ce compartiment est conçu pour la production de glaçons et la conservation à court terme (3-4 jours) de certains produits surgelés du commerce. La température dans ce compartiment ne devient pas suffisamment froide pour congeler les aliments en toute sécurité pendant de longues périodes et fonctionne mieux lorsque les aliments sont déjà congelés.

La porte du refroidisseur est susceptible de se briser à cause d'une accumulation excessive de glace. Cette pièce n'est pas couverte par votre garantie. Dégivrez lorsque la glace s'accumule à plus de 1/4 de pouce (6 mm).

### CHANGER L'AMPOULE LED

1. Débranchez le réfrigérateur. Assurez-vous que l'appareil est hors tension.
2. Ouvrez la porte. Retirez le cache en plastique transparent.
3. Dévissez l'ampoule LED dans le sens anti-horaire jusqu'à ce qu'elle se desserre totalement.
4. Une fois l'ampoule retirée, installez-en une nouvelle et réinstallez le cache.
5. Rebranchez le réfrigérateur.



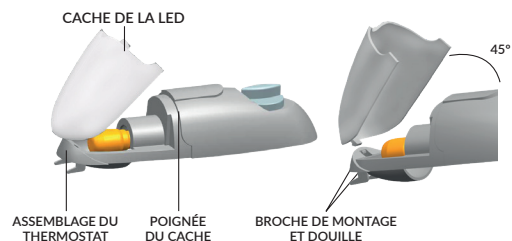
### RETRAIT ET INSTALLATION DU CACHE DE PROTECTION DU LED

#### Retrait du cache de l'ampoule

Tenez les poignées du cache de la LED et tirez-le vers le haut d'environ 45 degrés. Retirez le cache du thermostat.

#### Installation du cache de l'ampoule

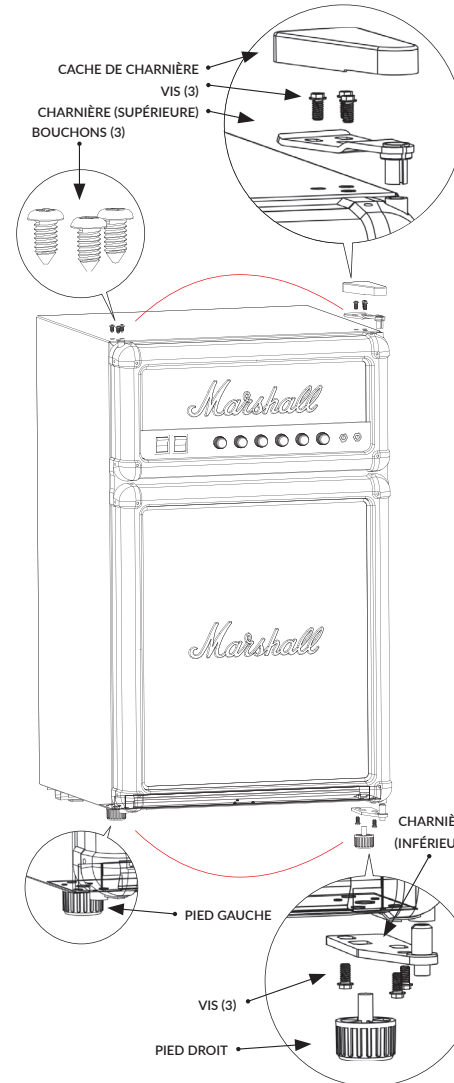
En tenant le cache de la LED à 45 degrés, placez la broche de montage dans la douille. Poussez fermement le cache dans le thermostat.



## INVERSER LE MOUVEMENT DE LA PORTE

Votre réfrigérateur est construit avec une porte réversible. Vous avez le choix de l'ouvrir du côté gauche ou du côté droit. Pour inverser le sens d'ouverture de votre porte, veuillez suivre les instructions suivantes :

1. Unplug the power cord from wall outlet and empty all contents from the refrigerator.
2. Remove hinge cover and unscrew hinge screws. Remove top hinge.
3. Uninstall the support legs and unscrew the bottom hinge screws.
4. Change the position of lower hinge to the opposite side of the appliance, support the door onto the lower hinge, replace screws and support legs.
5. Remove plastic plugs and align door to the upper hinge. Reattach upper hinge with screws and fit hinge cover over hinge.
6. Press the plastic plugs into the open holes.



## GUIDE DE DÉPANNAGE

| Problème                                    | Cause possible / solution  |
|---|--|
| Ne fonctionne pas                           | <ul style="list-style-type: none"> <li>• Le réfrigérateur n'est pas alimenté.</li> <li>• Il n'est pas branché.</li> <li>• Le disjoncteur s'est déclenché ou un fusible a grillé.</li> <li>• Le thermostat du réfrigérateur est réglé sur « 0 ».</li> </ul>   |
| Il se met en marche et s'éteint fréquemment | <ul style="list-style-type: none"> <li>• La température de la pièce est plus chaude que la normale.</li> <li>• Une grande quantité d'aliments a été mise dans le réfrigérateur.</li> <li>• La porte est ouverte trop fréquemment.</li> <li>• La porte n'est pas complètement fermée.</li> <li>• Le thermostat n'est pas réglé correctement.</li> <li>• Le joint de la porte ne scelle pas correctement.</li> <li>• Le réfrigérateur n'a pas les dégagements corrects.</li> </ul>   |
| Ne refroidit pas suffisamment               | <ul style="list-style-type: none"> <li>• La porte est ouverte fréquemment et laissée ouverte.</li> <li>• Le réfrigérateur est trop près du mur ou d'une source de chaleur.</li> <li>• Trop d'aliments ou de boissons conservés dans le réfrigérateur.</li> <li>• La température n'est pas correctement régulée.</li> </ul>   |
| Vibration                                   | <ul style="list-style-type: none"> <li>• Le réfrigérateur n'est pas à niveau.</li> </ul>   |
| Bruit sourd                                 | <ul style="list-style-type: none"> <li>• Des cliquetis peuvent provenir du flux de réfrigérant, ce qui est normal.</li> <li>• À la fin de chaque cycle, vous pouvez entendre des cliquetis provoqués par le flux de réfrigérant dans votre réfrigérateur.</li> <li>• La contraction et la dilatation des parois intérieures peuvent provoquer des bruits de craquement et des grésillements.</li> <li>• Le réfrigérateur n'est pas mis à niveau.</li> <li>• Le réfrigérateur est en contact avec des objets environnants.</li> <li>• Les étagères intérieures peuvent ne pas être en place.</li> </ul> |
| La porte ne ferme pas correctement          | <ul style="list-style-type: none"> <li>• Le réfrigérateur n'est pas à niveau.</li> <li>• Le joint est sale ou tordu.</li> <li>• Les étagères, les bacs ou les paniers ne sont pas en place.</li> </ul>   |
| Odeur                                       | <ul style="list-style-type: none"> <li>• Les aliments ou les boissons ne sont pas bien couverts.</li> <li>• Le réfrigérateur a besoin d'un nettoyage.</li> </ul>   |
| Cristaux de glace sur la paroi arrière      | <ul style="list-style-type: none"> <li>• Dans des conditions normales d'utilisation, cette accumulation de glace va fondre. Si la porte est fréquemment ouverte ou n'est pas fermée, l'accumulation de glace peut être importante et nécessiter un dégivrage.</li> </ul>   |

Si les symptômes persistent ou ne sont pas traités dans le guide de dépannage, veuillez contacter un technicien qualifié ou consulter notre site Web : [www.marshall.com](http://www.marshall.com).

### GARANTIE DU RÉFRIGÉRATEUR

Pour obtenir des informations sur la garantie et des informations légales spécifiques à votre région, veuillez visiter le site Web : [www.marshall.com](http://www.marshall.com). Cette garantie limitée vous confère des droits légaux spécifiques. Vous pouvez également disposer d'autres droits qui varient d'un état ou d'un pays à l'autre. Certaines localités n'autorisent pas les limitations aux garanties implicites, ou l'exclusion ou la limitation des dommages accidentels ou indirects. Les limitations ou exclusions ci-dessus peuvent donc ne pas s'appliquer à vous.

### MISE AU REBUT

Ce produit ne doit pas être mis au rebut avec les autres déchets ménagers partout dans l'UE. Pour éviter tout risque d'atteinte à l'environnement ou à la santé humaine résultant d'une mise au rebut incontrôlée, recyclez-le de manière responsable afin de promouvoir la réutilisation durable des ressources matérielles.

La mise au rebut de ce réfrigérateur est soumise à la directive relative aux déchets d'équipements électriques et électroniques (DEEE) de l'Union Européenne. Pour des informations plus détaillées sur le recyclage de votre réfrigérateur, veuillez contacter les autorités locales, le service d'élimination des déchets ménagers ou le magasin où vous avez acheté votre réfrigérateur.



# WARNUNG! SICHERHEITSHINWEISE

## BITTE LESEN SIE DIESE ANLEITUNG SORGFÄLTIG, BEVOR SIE DAS GERÄT ANSCHLIESSEN. BEFOLGEN SIE ALLE ANWEISUNGEN UND BEACHTEN SIE ALLE WARNUNGEN.

### WARNUNG!

Unschonemäßige Verwendung des Erdungssteckers kann zu einem elektrischen Schlag führen. Wenden Sie sich bitte an einen qualifizierten Elektriker, wenn die Erdungsanweisungen nicht vollständig verstanden werden oder wenn Zweifel bestehen, ob das Gerät ordnungsgemäß geerdet ist.

### ELEKTRISCHE ANFORDERUNGEN

- Dieses Gerät muss geerdet sein. Im Falle eines Kurzschlusses verringert die Erdung durch einen Ableiter für den Strom das Risiko eines elektrischen Schlags.
- Dieses Gerät ist mit einem Netzkabel mit Schutzleiter und Schutzkontakt ausgestattet. Der Stecker muss an eine ordnungsgemäß installierte und geerdete Steckdose angeschlossen werden.



### BRANDGEFAHR

### ELEKTRISCHER ANSCHLUSS

- Das äußere Bedienfeld des Kühlschranks wird nicht mit Strom versorgt. Die Schalter leuchten nicht auf; Knöpfe und Buchsen sind nur Dekoration.
- Die Spannung sollte innerhalb der folgenden Bereiche liegen: 187 V bis 242 V für Vereinigtes Königreich, EU, Australien, China und 100 V bis 120 V für Nordamerika, ansonsten wird der Hauptmotor beschädigt.
- Schneiden Sie keinesfalls den dritten Erdungsstift (Schutzkontakt) vom mitgelieferten Netzkabel ab. Aus Sicherheitsgründen muss dieses Gerät ordnungsgemäß geerdet sein.
- Lassen Sie die Netzsteckdose und den Stromkreis von einem qualifizierten Elektriker prüfen, um sicherzustellen, dass die Steckdose ordnungsgemäß geerdet ist.
- Sollte eine Netzsteckdose für 2 Stifte (ohne Schutzkontakt) vorhanden sein, obliegt es der Verantwortung und Verpflichtung des Kunden, diese gegen eine ordnungsgemäß geerdete Netzsteckdose für 3 Stifte (mit Schutzkontakt) auszutauschen.
- Informationen über Netzspannungen und Steckdosenbauarten finden Sie auf unserer Website [www.marshall.com](http://www.marshall.com).
- Das Gerät sollte so aufgestellt werden, dass die Netzsteckdose leicht zugänglich ist.
- Das Kabel sollte hinter dem Kühlschrank befestigt werden und weder frei liegen noch baumeln, um Verletzungen durch Unfälle zu vermeiden.
- Den Netzstecker des Kühlschranks niemals am Netzkabel aus der Steckdose ziehen. Fassen Sie den Stecker immer fest an und ziehen Sie ihn gerade aus der Steckdose heraus.
- Reparieren oder ersetzen Sie sofort alle Netzkabel, die verschlissen oder auf andere Weise beschädigt sind.
- Verwenden Sie kein Kabel, das Abriebschäden oder Risse am Kabel oder an einem der Enden aufweist.
- Achten Sie beim Verschieben des Kühlschranks darauf, das Netzkabel nicht zu beschädigen.
- Falls das Netzkabel beschädigt ist, muss es vom Hersteller, dessen Kundendienst oder ähnlich qualifizierten Servicetechnikern ausgetauscht werden, um Gefahren zu vermeiden.

### GEFAHR

- Es wird ein separater Stromkreis empfohlen, der nur Ihren Kühlschrank versorgt. Verwenden Sie Steckdosen, die nicht durch einen Schalter oder eine Zugkette ausgeschaltet werden können.
- Verbinden oder trennen Sie den Netzstecker nicht mit nassen Händen.
- Ziehen Sie zuerst den Netzstecker, bevor Sie das Gerät reinigen oder warten. Bei Missachtung können Stromschläge oder Tod die Folge sein.
- Versuchen Sie nicht, Teile Ihres Kühlschranks zu reparieren oder auszutauschen, sofern dies nicht ausdrücklich in diesem Handbuch empfohlen wird.
- Alle anderen Wartungsarbeiten müssen von einem qualifizierten Techniker durchgeführt werden.
- Brand- oder Explosionsgefahr. Es wird brennbares Kältemittel verwendet. Kältemittelschläuche nicht beschädigen.

### WARNUNG!

- Die Vorderseite des Kühlschranks muss völlig frei zugänglich sein, um eine ausreichende Belüftung zu gewährleisten.

- An einem gut belüfteten Ort mit Temperaturen über 16 °C und unter 32 °C aufstellen.
- Der Kühlschrank muss in einem Bereich installiert werden, der vor Witterungseinflüssen oder anderen äußeren Bedingungen wie Wind, Regen, Spritzwasser oder Tropfwasser geschützt ist.
- Der Kühlschrank sollte nicht in der Nähe von Öfen, Grills oder anderen Wärmequellen aufgestellt werden.
- Knicken oder klemmen Sie das Netzkabel des Kühlschranks nicht.
- Achten Sie darauf, dass die Schläuche während der Installation nicht eingeklemmt, geknickt oder beschädigt werden.
- Verwenden Sie keine mechanischen oder sonstigen Mittel, um den Abtauvorgang zu beschleunigen, außer solchen, die vom Hersteller empfohlen werden.
- Beschädigen Sie den Kreislauf des Kühlschranks nicht.
- Verwenden Sie keine Elektrogeräte in den Fächern für die Lebensmittellagerung des Geräts, außer es sind vom Hersteller empfohlenen Geräte.
- Sorgen Sie dafür, dass die Belüftungsöffnungen im Gerätegehäuse oder in der eingebauten Struktur frei bleiben.
- Der Stecker (nur UK-Spezifikation / Stecker Typ G) enthält eine 13-A-Sicherung.

### VORSICHT

- Brand- oder Explosionsgefahr. Es wird brennbares Kältemittel verwendet. Lesen Sie das Reparaturhandbuch / die Bedienungsanleitung, bevor Sie das Produkt warten. Alle Sicherheitsvorkehrungen müssen befolgt werden.
- Brand- oder Explosionsgefahr. Entsorgung gemäß den bundesweiten oder örtlichen Vorschriften. Es wird brennbares Kältemittel verwendet.
- Brand- oder Explosionsgefahr bei Beschädigung der Kältemittelleitungen. Befolgen Sie sorgfältig die Anweisungen zur Handhabung. Es wird brennbares Kältemittel verwendet.

**Verwenden Sie kein Verlängerungskabel:** Verwenden Sie ausschließlich eine Netzsteckdose. Schließen Sie den Kühlschrank nicht über Steckdosenleisten zusammen mit anderen Geräten an derselben Netzsteckdose an. Spleißen Sie das Kabel nicht.

**WICHTIGER WARNHINWEIS:** Reinigen Sie aufgrund von Feuer- oder Explosionsgefahr die Kühlkrankteile niemals mit brennbaren Flüssigkeiten. Bewahren Sie keine explosiven Substanzen wie Spraydosen mit einem brennbaren Treibmittel in diesem Gerät auf.

**GEFAHR:** Es besteht das Risiko, dass Kinder eingeschlossen werden! Lassen Sie niemals zu, dass Kinder das Gerät bedienen, damit spielen oder hineinkriechen. Lassen Sie Kinder nicht an den Knöpfen ziehen, damit spielen oder diese in den Mund stecken.

Dieses Gerät ist nicht für den Gebrauch durch Personen (einschließlich Kinder unter 8 Jahren) mit eingeschränkter körperlicher, sensorischer oder geistiger Leistungsfähigkeit oder mangelnder Erfahrung und Kenntnisse bestimmt, es sei denn, sie wurden von einer für ihre Sicherheit verantwortlichen Person beaufsichtigt oder instruiert.

Dieses Gerät ist für den Gebrauch im Haushalt und für ähnliche Anwendungen bestimmt, z. B.:

- Küchenbereiche für Mitarbeiter in Geschäften, Büros und sonstigen Arbeitsumgebungen
- Hotels und sonstige Unterkünfte
- Gastronomie und Bewirtung

### Bei der Entsorgung eines Kühlschranks:

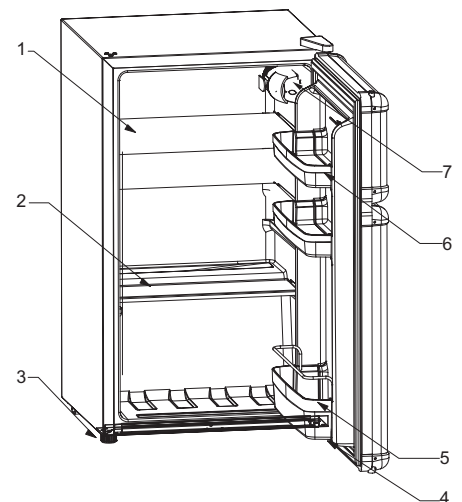
- Entfernen Sie die Tür.
- Belassen Sie die Regale an ihren Plätzen, damit Kinder nicht hineinklettern können.
- Entsorgen Sie Kühlschränke gemäß den örtlichen Bestimmungen / Gesetzen.

Weitere für Ihre Region spezifische Sicherheitsinformationen finden Sie auf der Website: [www.marshall.com](http://www.marshall.com).

### ZERTIFIZIERUNG

Alle Zertifizierungen finden Sie auf der Website: [www.marshall.com](http://www.marshall.com).

## 3.2 FRIDGE



1. Herausnehmbares Regal (groß)
2. Herausnehmbares Regal (klein)
3. Einstellbarer Nivellierfuß
4. Fester Nivellierfuß
5. Türbehälter unten
6. Türbehälter oben
7. Thermostat

|                 |   |
|-----------------|---|
| ARTIKEL         | Modell MF 3.2 BLK   |
| ABMESSUNGEN     | 791 mm x 450 mm x 470 mm  |
| GEWICHT         | 21 kg   |
| ZUBEHÖR         | Herausnehmbare Regale, Thermostat, Marshall Schriftzug und authentische Verstärkerenteile |
| STROMVERSORGUNG | 110V/60Hz oder 220V~240V/50Hz   |
| INHALT          | 92l   |

## INSTALLATIONSANLEITUNG

### VOR DER NUTZUNG IHRES KÜHLSCHRANKS

Äußere und innere Verpackung entfernen: Wischen Sie die Außenseite mit einem weichen, trockenen Tuch und die Innenseite mit einem feuchten, lauwarmen Tuch ab.

Lassen Sie den Kühlschrank ca. 2 Stunden aufrecht stehen, bevor Sie ihn an den Strom anschließen. Dies verringert die Gefahr einer durch den Transport verursachten Fehlfunktion des Kühlsystems.

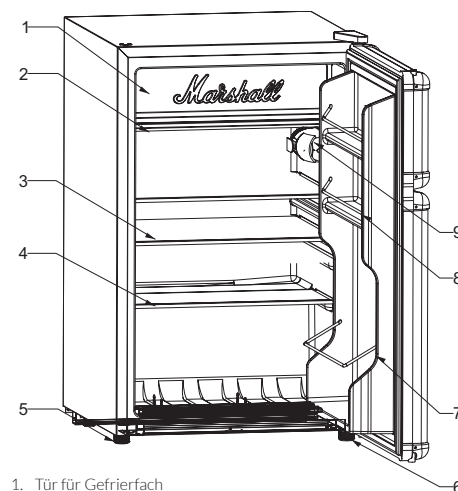
### INSTALLATION IHRES KÜHLSCHRANKS

Dieses Gerät ist nur für den freistehenden Gebrauch vorgesehen und sollte nicht versenkt oder eingebaut werden. Stellen Sie den Kühlschrank nicht in der Nähe von Wärmequellen, direkter Sonneneinstrahlung oder Feuchtigkeit auf. Sorgen Sie für Luftzirkulation.

### Befolgen Sie die folgenden Schritte sorgfältig:

1. Wählen Sie einen Ort mit ebenem Untergrund.
2. Lassen Sie 10 cm Abstand zwischen der Rückseite des Kühlschranks und einer angrenzenden Wand.
3. Vermeiden Sie direkte Sonneneinstrahlung und Hitze. Direktes Sonnenlicht kann die Beschichtung beschädigen. Wärmequellen in der Nähe verursachen einen höheren Stromverbrauch.
4. Vermeiden Sie feuchte Orte.

## 4.4 FRIDGE



1. Tür für Gefrierfach
2. Tropfschale
3. Herausnehmbares Regal (groß)
4. Herausnehmbares Regal (klein)
5. Einstellbarer Nivellierfuß
6. Fester Nivellierfuß
7. Große Flaschenhalterung
8. Türbehälter oben (2 Stck.)
9. Thermostat

|                 |   |
|-----------------|---|
| ARTIKEL         | Modell MF 4.4 BLK   |
| ABMESSUNGEN     | 820 mm x 500 mm x 568 mm  |
| GEWICHT         | 28 kg   |
| ZUBEHÖR         | Herausnehmbare Regale, Thermostat, Marshall Schriftzug, authentische Verstärkerenteile, Gefrierfach und Tropfschale |
| STROMVERSORGUNG | 110V/60Hz oder 220V~240V/50Hz   |
| INHALT          | 126l  |

5. Das Produkt ist nur für die Verwendung im Haushalt bestimmt und sollte nicht im Freien aufgestellt werden.
6. Am Boden festhalten und vorsichtig anheben. Nicht mehr als 45 Grad neigen und niemals zur Unterstützung an der Tür festhalten. Niemals auf den Kopf stellen oder auf die Seite legen.
7. Schieben Sie den Kühlschrank in Position.
8. Schließen Sie den Kühlschrank an eine ordnungsgemäß installierte, geerdete Netzsteckdose an. Schneiden Sie keinesfalls den dritten Stift (Schutzkontakt) vom Netzkabel ab. Wenden Sie sich bei Fragen zur Stromversorgung und / oder Erdung bitte an einen Elektriker oder ein autorisiertes Callcenter. Informationen über Netzspannungen und Steckdosenbauarten finden Sie auf unserer Website: [www.marshall.com](http://www.marshall.com).
9. Lassen Sie den Kühlschrank 2 - 3 Stunden ruhen, nachdem Sie ihn an eine Netzsteckdose angeschlossen haben, bevor Sie Lebensmittel in den Kühlschrank und in die Kaltlagerfächer stellen.
10. Stellen Sie keine schweren Gegenstände auf den Kühlschrank

## BEDIENUNGSANLEITUNG

### TEMPERATUR EINSTELLEN

- Das Bedienfeld für die Temperatur befindet sich im oberen Teil des Kühlschranks. Stellen Sie den Temperaturregler auf 4, wenn Sie den Kühlschrank zum ersten Mal einschalten.
- Der Temperatursteuerungsbereich reicht von Position 1 bis 7. Stellen

Sie den Temperaturregler nach 24 bis 48 Stunden auf die Einstellung, die Ihren Bedürfnissen am besten entspricht. Position 4 wird empfohlen.

- Um den Kühlschrank auszuschalten, stellen Sie den Temperaturregler auf „0“.

### EISWÜRFELSCHALE VERWENDEN (NUR 4.4 KÜHLSCHRANK)

- Position 5 - 7 des Thermostats wird für die Eisherstellung empfohlen.
- Füllen Sie 2/3 der Eiswürfelschale mit kaltem Wasser oder einer zum Einfrieren geeigneten Flüssigkeit. Stellen Sie die Schale zum Einfrieren auf den Boden des Kaltlagerfachs.
  - Trocknen Sie die Schale ab. Sie kann sonst am Boden des Kaltlagerfachs festfrieren.
  - Die beste Methode, um Eiswürfel aus der Schale zu entnehmen, besteht darin, die Schale kurz unter fließendes kaltes Wasser zu halten.
  - Platzieren Sie die Schale über einem Eiskübel und drehen sie leicht, um die Eiswürfel zu lösen.

## PFLEGE UND WARTUNG

### KÜHLSCHRANK-AUSSENPFLEGE

Verwenden Sie ein trockenes Tuch, um den bundierten Bespannstoff schonend abzuwischen. Verwenden Sie ein feuchtes Tuch für Metalloberflächen.

### LEBENSMITTELAGERUNG

Lassen Sie heiße Speisen vor der Lagerung auf Raumtemperatur abkühlen. Lagern Sie Lebensmittel in geeigneten luftdichten Behältern.

### VORSICHT

Wenn der Kühlschrank vor der Wartung nicht vom Stromnetz getrennt wird, kann dies zu einem elektrischen Schlag oder zu Verletzungen führen.

### REINIGUNG IHRES KÜHLSCHRANKS

- Es wird empfohlen, den Kühlschrank monatlich zu reinigen.
- Vergewissern Sie sich, dass der Netzstecker des Kühlschranks gezogen ist, bevor Sie mit Reinigungs- und Wartungsarbeiten beginnen.
- Stellen Sie den Temperaturregler auf „0“, ziehen Sie den Stecker aus der Steckdose und entnehmen Sie Lebensmittel, Regale und Schalen.
- Waschen Sie die Innenflächen mit warmem Wasser und Backpulver aus. Es sollten etwa 2 Esslöffel Backpulver in einem Liter Wasser aufgelöst werden.
- Waschen Sie die Regale und Schalen mit einem milden Reinigungsmittel.
- Die Außenseite des Kühlschranks sollte mit einem weichen, trockenen Tuch gereinigt werden.
- Verwenden Sie im Inneren keine lösungsmittelhaltigen Reinigungsmittel oder Scheuermittel. Derartige Reiniger können den Innenraum beschädigen oder verfärben.

### KÜHLSCHRANK ABTAUEN (NUR 4.4 KÜHLSCHRANK)

Der Kühlschrank sollte immer dann abgetaut werden, wenn die Eisschicht im Kaltlagerfach eine Dicke von 6 mm (1/4 Zoll) erreicht.

- Stellen Sie den Thermostat auf „0“.
- Ziehen Sie den Netzstecker.
- Entfernen Sie während des Abtauens alles aus dem Kühlschrank.
- Vergewissern Sie sich, dass die Tropfschale eingesetzt ist!
- Lassen Sie die Tür während des Abtauvorgangs angelehnt, um den Vorgang zu beschleunigen. Bitte beachten Sie: Während des Abtauvorgangs kann Wasser aus der Tropfschale tropfen. Legen Sie ein Handtuch auf den Boden des Kühlschranks, um überlaufendes Wasser aus der Tropfschale aufzufangen.

Leeren Sie die Tropfschale, wenn das Abtauen beendet ist, und trocknen Sie den Kühlschrank innen gründlich ab.

Schließen Sie das Netzkabel wieder an und stellen Sie die Kühlsteuerung wie gewünscht ein. Es dauert eine Weile, bis der Kühlschrank die Betriebstemperatur erreicht. Füllen Sie Ihren Kühlschrank, wenn die Innentemperatur wieder abgekühlt ist.

Verwenden Sie niemals scharfe oder spitze Instrumente, um Eis aus dem Kaltlagerfach zu entfernen. Das Kaltlagerfach enthält gekühlte Gasleitungen. Der Kühlschrank wird unbrauchbar, wenn diese versehentlich beschädigt / durchstoßen werden und die Herstellergarantie wird hinfällig.

### STROMAUSFALL

Bei Stromausfall sollten Sie die Türen nicht häufig öffnen. Treffen Sie bei Stromausfällen von mehr als 2 Stunden bitte Vorkehrungen, um Ihre Lebensmittel zu schützen.

### URLAUB

Belassen Sie den Bedienknopf für kurze Ferien in seiner normalen Einstellung. Bei Abwesenheiten von mehr als drei Wochen:

1. Entnehmen Sie alle Lebensmittel.
2. Trennen Sie das Netzkabel von der Steckdose.
3. Reinigen Sie den Kühlschrank gründlich.
4. Lassen Sie die Tür offen, um eine mögliche Bildung von Kondensat, Schimmel oder Gerüchen zu vermeiden.

### WENN SIE UMZIEHEN

- Entfernen Sie alle losen Gegenstände aus dem Kühlschrank.
- Um eine Beschädigung der Nivellierfüße zu vermeiden, drehen Sie diese bis zum Anschlag in den Boden.
- Der Kühlschrank sollte während des Transports aufrecht stehen.
- Die Tür gegebenenfalls zukleben.

### TIPPS ZUM ENERGIESPAREN

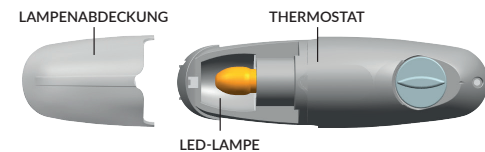
- Der Kühlschrank sollte an der kühlpsten Stelle im Raum aufgestellt werden; nicht in der Nähe von wärmeentwickelnden Geräten und direkter Sonneneinstrahlung.
- Speisen auf Raumtemperatur abkühlen lassen, bevor Sie in den Kühlschrank gestellt werden.
- Verpacken Sie Lebensmittel ordnungsgemäß und wischen Sie die Behälter trocken, bevor Sie diese in den Kühlschrank stellen.
- Organisieren und kennzeichnen Sie Lebensmittel, damit Sie diese schnell finden und die Tür schnell wieder schließen können. Nehmen Sie so viele Dinge wie nötig gleichzeitig heraus und schließen Sie die schnellstmöglich die Tür.

### KALTLAGERFACH (NUR 4.4 KÜHLSCHRANK)

Dieses Fach ist für die Herstellung von Eiswürfeln und die kurzfristige Lagerung (3 - 4 Tage) einiger kommerziell gefrorener Lebensmittel bestimmt. Die Temperatur in diesem Fach wird nicht kalt genug, um Lebensmittel über einen längeren Zeitraum sicher einzufrieren. Am besten eignet es sich für bereits gefrorene Lebensmittel. Die Tür des Kaltlagerfachs ist durch übermäßige Eisbildung bruchanfällig. Dieses Teil ist nicht durch Ihre Garantie abgedeckt. Bei Eisbildung von mehr als 1/4 Zoll (6 mm) abtauen.

### LED-GLÜHBRINNE WECHSELN

1. Ziehen Sie den Netzstecker. Vergewissern Sie sich, dass das Gerät ausgeschaltet ist.
2. Öffnen Sie die Tür. Entfernen Sie die durchsichtige Kunststoffabdeckung.
3. Drehen Sie die LED-Glühbirne gegen den Uhrzeigersinn, bis sie sich herausnehmen lässt.
4. Nach dem Entfernen die neue Glühbirne installieren und die Abdeckung wieder anbringen.
5. Schließen Sie den Kühlschrank wieder an.

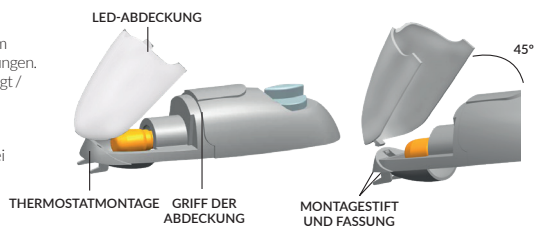


### ENTFERNEN UND INSTALLIEREN DER LED-SCHUTZABDECKUNG

**Entfernen der Lampenabdeckung**  
Ziehen Sie die LED-Abdeckung an den Griffen um etwa 45 Grad nach oben. Nehmen Sie die Abdeckung vom Thermostat ab.

### Installation der Lampenabdeckung

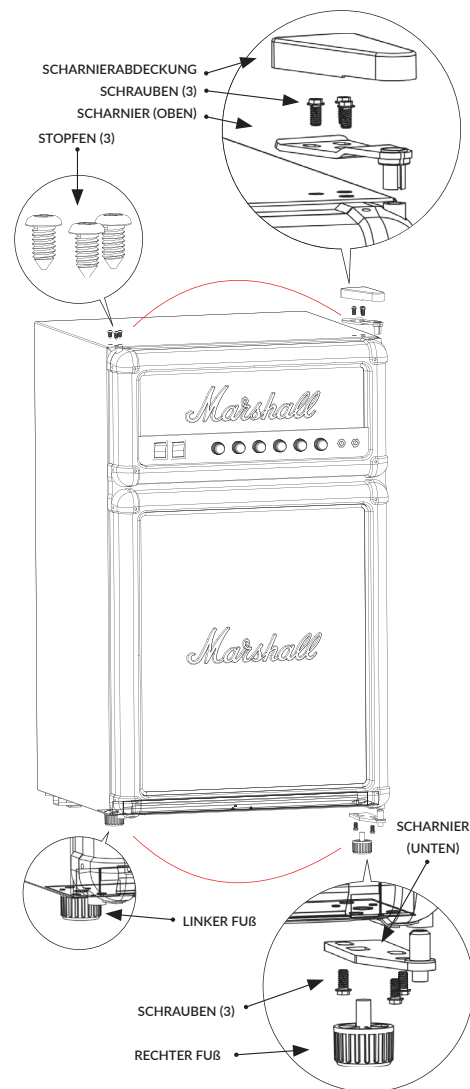
Halten Sie die LED-Abdeckung in einem Winkel von 45 Grad und setzen Sie den Befestigungsstift in die Fassung. Drücken Sie die Abdeckung fest in den Thermostat.



## TÜRANSCHLAG UMDREHEN

Ihr Kühlschrank ist mit einer reversiblen Tür ausgestattet. Sie können ihn wahlweise entweder von Links oder von Rechts öffnen. Befolgen Sie bitte diese Anweisungen, um die Öffnungsrichtung Ihrer Tür zu ändern:

1. Ziehen Sie das Netzkabel aus der Steckdose und leeren Sie den Kühlschrank komplett.
2. Entfernen Sie die Scharnierabdeckung und lösen Sie die Scharnierschrauben. Entfernen Sie das obere Scharnier.
3. Entfernen Sie die Stützfüße und lösen Sie die unteren Scharnierschrauben.
4. Positionieren Sie das untere Scharnier auf der gegenüberliegenden Seite des Geräts. Stützen Sie die Tür auf dem unteren Scharnier ab und ersetzen Sie die Schrauben und Stützfüße.
5. Entfernen Sie die Kunststoffstopfen und richten Sie die Tür am oberen Scharnier aus. Befestigen Sie das obere Scharnier wieder mit den Schrauben und bringen Sie die Scharnierabdeckung über dem Scharnier an.
6. Drücken Sie die Kunststoffstopfen in die offenen Löcher.



## TROUBLE SHOOTING GUIDE

| Problem                                    | Mögliche Ursache / Lösung  |
|--|--|
| Funktioniert nicht                         | <ul style="list-style-type: none"> <li>• Kein Strom zum Kühlschrank.</li> <li>• Nicht in die Steckdose eingesteckt.</li> <li>• Der Sicherungsautomat ist ausgelöst oder eine durchgebrannte Sicherung.</li> <li>• Die Temperaturregelung des Kühlschranks ist auf „0“ eingestellt.</li> </ul>  |
| Schaltet sich häufig ein und aus           | <ul style="list-style-type: none"> <li>• Die Raumtemperatur ist heißer als normal.</li> <li>• Es wurde eine große Menge an Lebensmitteln in den Kühlschrank gelegt.</li> <li>• Die Tür wird zu oft geöffnet.</li> <li>• Die Tür ist nicht vollständig geschlossen.</li> <li>• Die Temperaturregelung ist nicht richtig eingestellt.</li> <li>• Die Türdichtung dichtet nicht richtig ab.</li> <li>• Der Kühlschrank hat nicht die richtigen Abstände.</li> </ul>   |
| Kühlt nicht genug runter                   | <ul style="list-style-type: none"> <li>• Die Tür wird oft geöffnet und offen gelassen.</li> <li>• Der Kühlschrank ist zu nahe an der Wand oder einer Wärmequelle.</li> <li>• Es befinden sich zu viele Lebensmittel oder Getränke im Kühlschrank.</li> <li>• Die Temperatur wird nicht richtig geregelt.</li> </ul>  |
| Vibration                                  | <ul style="list-style-type: none"> <li>• Der Kühlschrank steht nicht in der Waage.</li> </ul>  |
| Lautes Geräusch                            | <ul style="list-style-type: none"> <li>• Das Klappergeräusch kann vom Fluss des Kältemittels stammen, was normal ist.</li> <li>• Am Ende jedes Zyklus, hören Sie möglicherweise gurgelnde Geräusche, die durch den Fluss des Kältemittels in Ihrem Kühlschrank verursacht werden.</li> <li>• Kontraktion und Ausdehnung der Innenwände können Knall- und Knackgeräusche verursachen.</li> <li>• Der Kühlschrank steht nicht in der Waage.</li> <li>• Der Kühlschrank hat Kontakt mit umliegenden Objekten.</li> <li>• Innenregale sind möglicherweise nicht korrekt eingesetzt.</li> </ul> |
| Die Tür lässt sich nicht richtig schließen | <ul style="list-style-type: none"> <li>• Der Kühlschrank steht nicht in der Waage.</li> <li>• Die Dichtung ist verschmutzt oder verbogen.</li> <li>• Regale, Behälter oder Schalen sind nicht korrekt eingesetzt.</li> </ul>   |
| Geruch                                     | <ul style="list-style-type: none"> <li>• Lebensmittel oder Getränke sind nicht ordnungsgemäß abgedeckt.</li> <li>• Der Kühlschrank muss gereinigt werden.</li> </ul>   |
| Eiskristalle an der Rückwand               | <ul style="list-style-type: none"> <li>• Bei normalem Gebrauch schmilzt diese Eisbildung. Wird die Tür häufig geöffnet oder steht diese lange Zeit offen, kann es zu einer erheblichen Eisbildung kommen, sodass der Kühlschrank in diesem Fall abgetaut werden muss.</li> </ul>   |

Wenden Sie sich bitte an einen qualifizierten Techniker, falls die Erscheinungen weiterhin bestehen oder nicht in der Anleitung zur Fehlerbehebung behandelt werden, oder besuchen Sie unsere Website: [www.marshall.com](http://www.marshall.com).

### KÜHLSCHRANK-GARANTIE

Weitere Informationen bezüglich Garantie und Rechtsinformationen für Ihre Region finden Sie auf der Website: [www.marshall.com](http://www.marshall.com). Diese eingeschränkte Garantie gewährt Ihnen bestimmte Rechtsansprüche. Möglicherweise haben Sie auch sonstige Rechte, die je nach Staat oder Land unterschiedlich sind. In einigen Ländern sind Einschränkungen für stillschweigende Garantien oder der Ausschluss oder die Beschränkung von Neben- oder Folgeschäden nicht zulässig. Die oben genannten Beschränkungen oder Ausschlüsse gelten daher für Sie möglicherweise nicht.

### ENTSORGUNG

Dieses Produkt darf in der EU nicht mit anderen Haushaltsabfällen entsorgt werden. Um mögliche Schäden für die Umwelt oder die menschliche Gesundheit durch eine unkontrollierte Abfallentsorgung zu vermeiden, recyceln Sie es verantwortungsbewusst, um die nachhaltige Wiederverwendung von Rohstoffen zu fördern. Die Entsorgung dieses Kühlschranks unterliegt der Richtlinie über Elektro- und Elektronikaltgeräte (WEEE) der Europäischen Union. Weitere Informationen zum Recyceln Ihres Kühlschranks erhalten Sie bei Ihrer Gemeinde, dem Entsorgungsdienst für Hausmüll oder in dem Geschäft, in dem Sie Ihren Kühlschrank erworben haben.



# ADVERTENCIA INSTRUCCIONES DE SEGURIDAD

## LEER ESTE MANUAL CON ATENCIÓN ANTES DE ENCHUFAR EL FRIGORÍFICO. SEGUIR TODAS LAS INSTRUCCIONES Y PRESTAR ATENCIÓN A TODAS LAS ADVERTENCIAS.

### ADVERTENCIA

El uso indebido del enchufe de conexión a tierra puede provocar el riesgo de sufrir una descarga eléctrica. Solicitar los servicios de un electricista cualificado si no se comprende la totalidad de las instrucciones de conexión a tierra o en caso de duda de si el aparato está conectado a tierra de forma correcta.

### REQUISITOS ELÉCTRICOS

- Este aparato debe estar conectado a tierra. En caso de cortocircuito, la conexión a tierra reduce el riesgo de sufrir una descarga eléctrica, debido a que ofrece un cable de escape para la corriente eléctrica.
- Este aparato está equipado con un cable de conexión a tierra a través de un enchufe a tierra. El enchufe debe conectarse a una toma de corriente que esté instalada y conectada a tierra de forma adecuada.



### RIESGO DE INCENDIO

### CONEXIÓN ELÉCTRICA

- No hay tensión eléctrica en el tablero de control exterior del frigorífico. Los interruptores no se encienden, y las perillas y los conectores jack son simplemente estéticos.
- La tensión debe estar limitada a los siguientes intervalos: de 187 a 242 V si se usa en el Reino Unido, la Unión Europea, Australia y China, y de 100 a 120 V si se usa en Norteamérica, de lo contrario el motor podrá resultar dañado.
- No cortar ni quitar bajo ninguna circunstancia la tercera clavija a tierra del enchufe del cable suministrado. Por razones de seguridad, este aparato debe estar conectado a tierra de forma correcta.
- Un electricista cualificado deberá revisar la toma de corriente de pared y el circuito para garantizar que la toma esté conectada a tierra adecuadamente.
- En caso de contar con tomas de corriente estándar de dos clavijas, el cliente tendrá la responsabilidad y la obligación de sustituirlo por una toma de corriente de tres clavijas conectada a tierra adecuadamente.
- En referencia a la tensión y el estilo de la toma, consultar nuestro sitio web [www.marshall.com](http://www.marshall.com).
- El aparato debe colocarse de forma que se pueda acceder a la toma de corriente de pared fácilmente.
- Fijar el cable de forma segura a la parte trasera del frigorífico y no dejarlo expuesto o colgando, de forma que se puedan evitar accidentes.
- No desenchufar nunca el frigorífico tirando del cable de tensión. Agarrar el enchufe firmemente y tirar de él en línea recta desde la toma.
- Reparar o sustituir inmediatamente todos aquellos cables de tensión que estén pelados o dañados de algún modo.
- No utilizar cables que estén agrietados o que hayan sufrido abrasión en su superficie o en cualquiera de sus extremos.
- Al mover el frigorífico, tener cuidado de no dañar el cable de tensión.
- Si el cable de tensión está dañado, este deberá ser sustituido por el fabricante, su agente de mantenimiento o técnicos especializados con el fin de evitar peligros.

### PELIGRO

- Se recomienda utilizar un circuito aparte que solo sirva al frigorífico. Lleva recipientes que no pueden apagarse con un interruptor o una cadena.
- No conectar ni desconectar el enchufe eléctrico con las manos mojadas.
- Desenchufar el frigorífico o desconectar la tensión eléctrica antes de limpiarlo o realizar labores de mantenimiento en él. De no hacerse así, se podrían sufrir descargas eléctricas o incluso la muerte.
- No intentar reparar ni sustituir ninguna pieza del frigorífico, a menos que así se recomiende en este manual.
- El resto de trabajos de mantenimiento debe realizarlos un técnico cualificado.
- Riesgo de incendio o explosión. Refrigerante inflamable utilizado. No agujerear los tubos del refrigerante.

### ADVERTENCIA

- Para garantizar una circulación del aire adecuada, la parte delantera del frigorífico no puede tener ningún tipo de obstrucción.

- Colocarlo en una zona bien ventilada a temperaturas entre 16 y 32 °C.
- Ubicar el frigorífico en una zona protegida de inclemencias meteorológicas u otras condiciones externas, como viento, lluvia, pulverizadores de agua o sistemas de goteo.
- No colocar el frigorífico cerca de hornos, parrillas u otras fuentes de calor elevado.
- No retorcer ni pellizcar el cable de tensión eléctrica del frigorífico.
- Asegurarse de que los tubos no queden pellizcados, retorcidos ni dañados durante la instalación.
- No utilizar dispositivos mecánicos ni otros medios para acelerar la descongelación que no sean aquellos recomendados por el fabricante.
- No dañar el circuito del frigorífico.
- No utilizar dispositivos eléctricos dentro de los compartimentos destinados a guardar la comida, a menos que sean del tipo recomendado por el fabricante.
- Procurar que los respiraderos del recinto del aparato o la estructura incorporada no tengan ningún tipo de obstrucción.
- (Especificación exclusiva para el Reino Unido/enchufe de tipo G) el enchufe contiene un fusible de 13 Amp.

### PRECAUCIÓN

- Riesgo de incendio o explosión. Refrigerante inflamable utilizado. Consultar el manual de reparación o la guía del propietario antes de intentar realizar labores de mantenimiento en este producto. Seguir todas las precauciones de seguridad.
- Riesgo de incendio o explosión. Desechar el electrodoméstico de conformidad con la normativa estatal o local. Refrigerante inflamable utilizado.
- Riesgo de incendio o explosión debido a la perforación de los tubos del refrigerante. Seguir las instrucciones de manipulación atentamente. Refrigerante inflamable utilizado.

**No utilizar un alargador:** utilizar una toma de corriente de pared de forma exclusiva. No conectar el frigorífico a un alargador junto con otros aparatos eléctricos en la misma toma de corriente de pared. No empalmar el cable.

**ADVERTENCIA IMPORTANTE:** no limpiar nunca las piezas del frigorífico con líquidos inflamables, ya que se corre el riesgo de provocar incendios o explosiones. No guardar sustancias explosivas como latas de aerosol con gas propelente inflamable dentro del aparato.

**PELIGRO:** peligro para los niños. No permitir nunca a niños utilizar, jugar o introducirse en el electrodoméstico. Evitar que niños manipulen las perillas, jueguen con ellas o se las introduzcan en la boca.

No se prevé el uso de este electrodoméstico por parte de personas (incluidos niños menores de ocho años) con capacidades físicas, sensoriales o mentales reducidas, o con falta de experiencia y conocimientos, a menos que estén supervisadas o hayan recibido instrucciones sobre su uso por parte de un responsable, de forma que se pueda garantizar su seguridad.

Este dispositivo está diseñado para utilizarse en hogares o lugares similares como:

- Cocinas y comedores de personal en tiendas, oficinas y otros entornos laborales.
- Hoteles y otro tipo de hospedaje.
- Servicios de comida y hostelería.

### Desechar el frigorífico de la siguiente manera:

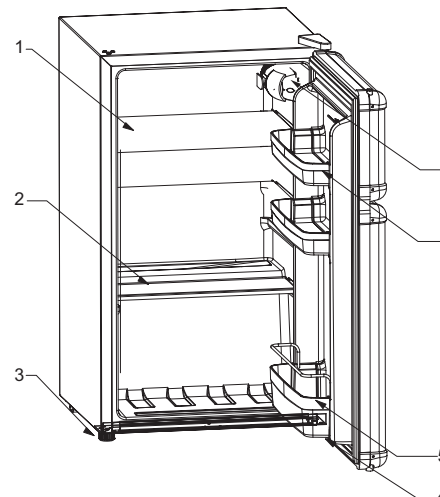
- Quitar la puerta.
- Dejar las baldas en su sitio para que los niños no puedan subirse en ellas.
- Desechar cualquier frigorífico según la normativa o la legislación local correspondiente.

Para consultar más información sobre la seguridad específica de cada región, visitar el sitio web: [www.marshall.com](http://www.marshall.com).

### CERTIFICADO

Para consultar todos los certificados del frigorífico Marshall, visitar el sitio web: [www.marshall.com](http://www.marshall.com).

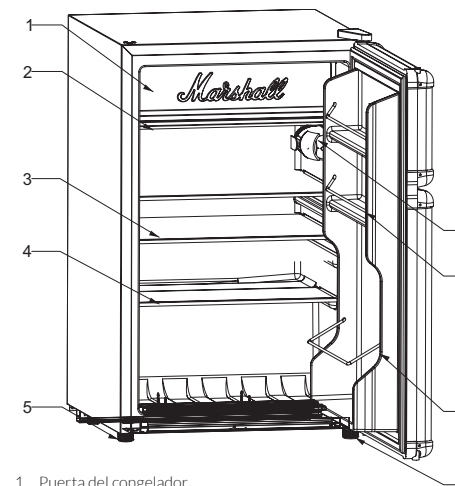
## 3.2 FRIDGE



- |                                |                                  |
|--------------------------------|----------------------------------|
| 1. Balda extraíble (grande)    | 5. Bandeja inferior de la puerta |
| 2. Balda extraíble (pequeña)   | 6. Bandeja superior de la puerta |
| 3. Pie ajustable de nivelación | 7. Termostato                    |
| 4. Pie fijo de nivelación      |                                  |

|                                |   |
|--------------------------------|---|
| <b>PRODUCTO</b>                | Modelo MF 3.2 BLK   |
| <b>MEDIDAS</b>                 | 791x450x470 mm  |
| <b>PESO</b>                    | 21 kg   |
| <b>ACCESORIOS</b>              | Baldas extraíbles, termostato, logotipo de la palabra Marshall y piezas de amplificador auténticas. |
| <b>TENSIÓN DE ALIMENTACIÓN</b> | 110 V/60 Hz o 220–240 V/50 Hz   |
| <b>CAPACIDAD</b>               | 92 litros   |

## 4.4 FRIDGE



- |                                |   |
|--------------------------------|---|
| 1. Puerta del congelador       | 7. Soporte de botella grande                |
| 2. Bandeja de goteo            | 8. Bandeja superior de la puerta (2 piezas) |
| 3. Balda extraíble (grande)    | 9. Termostato                               |
| 4. Balda extraíble (pequeña)   |   |
| 5. Pie ajustable de nivelación |   |
| 6. Pie fijo de nivelación      |   |

|                                |   |
|--------------------------------|---|
| <b>PRODUCTO</b>                | Modelo MF 4.4 BLK   |
| <b>MEDIDAS</b>                 | 820 x 500 x 568 mm  |
| <b>PESO</b>                    | 28 kg   |
| <b>ACCESORIOS</b>              | Baldas extraíbles, termostato, logotipo de la palabra Marshall, piezas de amplificador auténticas, congelador y bandeja para goteo. |
| <b>TENSIÓN DE ALIMENTACIÓN</b> | 110V/60 Hz o 220–240V/50 Hz   |
| <b>CAPACIDAD</b>               | 126 litros  |

# INSTRUCCIONES DE INSTALACIÓN

### ANTES DE COMENZAR A UTILIZAR EL FRIGORÍFICO

Quitar el embalaje exterior e interior, y limpiar el exterior con un paño suave y seco, y el interior con un paño humedecido en agua tibia. Antes de conectar el frigorífico a una fuente de tensión eléctrica, dejar que repose en posición vertical durante aproximadamente dos horas. De esta forma, se reducen las posibilidades de que el sistema de refrigeración funcione incorrectamente debido a la manipulación durante el transporte.

### INSTALLING YOUR REFRIGERATOR

Este electrodoméstico está diseñado para colocarse verticalmente de forma aislada y no debe empotrarse. No colocarlo cerca de fuentes de calor, luz del sol directa o humedad. Dejar que el aire circule libremente.

### Seguir los pasos detallados a continuación atentamente:

- Colocarlo sobre suelo llano.
- Dejar un espacio de 10 cm entre la parte posterior del frigorífico y la pared más cercana.
- Evitar la luz del sol directa y las fuentes de calor. La luz del sol directa puede dañar el revestimiento. Las fuentes de calor cercanas hacen que el consumo de electricidad aumente.
- Evitar colocarlo en lugares húmedos.

- Este producto está destinado únicamente al uso doméstico, por lo que debe evitarse su exposición a elementos del exterior.
- Sujetar la base y levantarlo con cuidado. No inclinarlo más de 45° y no sujetarlo nunca por la puerta. No darle la vuelta nunca ni colocarlo de lado.
- Empujarlo hasta que esté bien colocado en su sitio.
- Enchufarlo por sí solo a una toma de corriente de pared que éste conectada a tierra adecuadamente. No cortar ni quitar bajo ninguna circunstancia la tercera clavija a tierra del enchufe del cable suministrado. Las preguntas sobre la tensión de alimentación y la conexión a tierra deben formularse directamente a un electricista cualificado o un centro de llamadas autorizado. En referencia a la tensión y el estilo de la toma, consultar el sitio web [www.marshall.com](http://www.marshall.com).
- Una vez enchufado el electrodoméstico a la toma de corriente, dejar que repose durante dos o tres horas antes de colocar comida en su interior y en los compartimentos de congelación.
- No situar objetos pesados sobre el frigorífico.

# INSTRUCCIONES DE FUNCIONAMIENTO

### AJUSTE DE LA TEMPERATURA

- El tablero de control de la temperatura se encuentra en la parte superior del frigorífico. La primera vez que se encienda el frigorífico, ajustar la temperatura en el número 4.



- El intervalo de temperatura transcurre de 1 a 7. Pasadas de 24 a 48 horas, ajustar la temperatura en el nivel deseado. Se recomienda utilizar el nivel 4.
- Para apagar el frigorífico, cambiar la temperatura a "0".

**USO DE LA BANDEJA PARA CUBITOS DE HIELO (SOLO EN EL FRIGORÍFICO 4.4)**

- El ajuste de temperatura recomendado para hacer cubitos de hielo se encuentra entre 5 y 7.
- Llenar 2/3 de la bandeja de cubitos de hielo de agua fría u otro líquido apto para congelación y colocarla en la base del compartimento de congelación para que el contenido de la misma se solidifique correctamente.
  - Secar la parte inferior de la bandeja, de lo contrario se pegará a la base del congelador.
  - La mejor forma de sacar los cubitos de hielo de la bandeja es pasar por ella agua fría del grifo durante unos segundos.
  - Para extraer los cubitos de hielo, colocar la bandeja en la cubitera y girarla ligeramente.

**CUIDADO Y MANTENIMIENTO**

**CUIDADO DE LA PARTE EXTERIOR DEL FRIGORÍFICO**

Quitar el polvo cuidadosamente de la tela de malla con un paño seco. Limpiar las superficies metálicas con un paño humedecido.

**ALMACENAMIENTO DE ALIMENTOS**

Esperar a que los alimentos calientes alcancen la temperatura ambiente antes de guardarlos en el frigorífico. Guardar los alimentos en recipientes herméticos adecuados.

**PRECAUCIÓN**

Si el frigorífico no se desenchufa antes de realizar labores de mantenimiento en él, se podrían producir descargas eléctricas o daños personales.

**LIMPIEZA DEL FRIGORÍFICO**

- Se recomienda limpiar el frigorífico todos los meses.
- Antes de realizar labores de limpieza y mantenimiento en el electrodoméstico, asegurarse de que el cable de tensión del mismo está desconectado.
- Girar el control de la temperatura hasta el nivel "0", desenchufar el frigorífico y sacar la comida, las baldas y las bandejas.
- Limpiar las superficies interiores con agua tibia y bicarbonato. Preparar la solución con alrededor de dos cucharadas de bicarbonato por cada cuarto de agua.
- Lavar las baldas y las bandejas con una solución preparada con detergente suave.
- Limpiar la parte exterior del frigorífico con un paño suave y seco.
- No utilizar productos de limpieza con base de disolvente ni productos abrasivos en el interior. Este tipo de productos de limpieza pueden dañar o quitar el color del interior.

**DESCONGELACIÓN DEL FRIGORÍFICO (SOLO EN EL FRIGORÍFICO 4.4)**

- Descongelar el frigorífico cuando la capa de hielo que se genere en el interior del congelador tenga un grosor de 6 mm.
- Girar el selector del termostato hasta la posición "0".
  - Desenchufar el frigorífico.
  - Extraer todo el contenido del frigorífico durante la descongelación.
  - Comprobar que la bandeja para el goteo está en su sitio.
  - Dejar la puerta entreabierta durante la descongelación para acelerar el proceso. Atención: el agua de la bandeja para goteo se puede desbordar durante la descongelación. Colocar una toalla en la base del frigorífico para recoger el agua que pueda desbordarse de la bandeja para goteo.

Una vez terminada la descongelación, vaciar la bandeja de goteo y secar el interior del frigorífico completamente. Enchufar el cable de tensión de nuevo y ajustar la temperatura de refrigeración tal y como se desee. El frigorífico tardará un tiempo en alcanzar la temperatura de funcionamiento. Volver a guardar los alimentos dentro del frigorífico cuando la temperatura interior haya bajado de nuevo. No utilizar nunca utensilios afilados ni puntiagudos para quitar el hielo del congelador. El congelador contiene tuberías de gas refrigerado que, si se pinchan o perforan accidentalmente, el frigorífico dejará de funcionar correctamente y la garantía del fabricante quedará anulada.

**CORTE DE CORRIENTE ELÉCTRICA**

Reducir al mínimo las veces que se abra la puerta del frigorífico cuando la corriente eléctrica esté desconectada. En caso de que se produzca un corte

de corriente eléctrica de más de dos horas, deberán tomarse medidas para proteger los alimentos.

**VACACIONES**

En periodos vacacionales breves, dejar la perilla de control en el ajuste normal. En ausencias superiores a las tres semanas:

1. Sacar todos los alimentos.
2. Desconectar el cable de alimentación de la toma de corriente eléctrica.
3. Limpiar el frigorífico completamente.
4. Dejar la puerta abierta para evitar que se formen condensaciones, moho u olores desagradables.

**MUDANZAS**

- Sacar todos los elementos que vayan sueltos en el interior del frigorífico.
- Para no dañar los pies de nivelación, girarlos hasta que estén en contacto con la base.
- Transportar el frigorífico siempre en posición vertical.
- Sujetar la puerta con cinta adhesiva si fuera necesario.

**CONSEJOS PARA AHORRAR ENERGÍA**

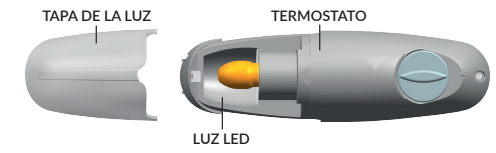
- Colocar el frigorífico en la zona más fresca de la habitación y apartado de otros electrodomésticos que emitan calor, así como de la luz directa del sol.
- Dejar que los alimentos se enfríen hasta que alcancen la temperatura ambiente antes de colocarlos dentro del frigorífico.
- Envolver los alimentos adecuadamente y secar los recipientes antes de colocarlos dentro del frigorífico.
- Organizar y etiquetar la comida para abrir la puerta menos veces y encontrar lo que se busca más rápidamente. Sacar el máximo número de alimentos de una sola vez y cerrar la puerta lo antes posible.

**CONGELADOR (SOLO EN FRIGORÍFICO 4.4)**

Este compartimento está diseñado para hacer cubitos de hielo y para guardar durante periodos breves (de tres a cuatro días) algunos alimentos que ya se compran congelados. La temperatura de este compartimento no llega a ser lo suficientemente fría como para congelar alimentos de forma segura durante periodos prolongados, por lo que se recomienda usarlo para guardar alimentos que ya estén congelados. La puerta del congelador se puede romper si se acumula demasiado hielo. Esta parte no está cubierta por la garantía. Descongelarlo cuando se haya formado hielo de más de 6 mm de grosor.

**CHANGING THE LED LIGHT BULB**

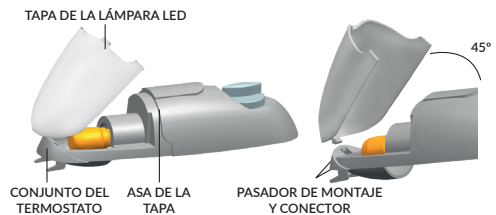
1. Desenchufar el frigorífico. Asegurarse de que la tensión está apagada.
2. Abrir la puerta. Quitar la tapa de plástico transparente de la luz.
3. Desenroscar la bombilla de luz LED girándola hacia la izquierda hasta que se suelte.
4. Una vez quitada, montar la bombilla nueva y volver a colocar la tapa.
5. Volver a enchufar el frigorífico.



**EXTRACCIÓN E INSTALACIÓN DE LA TAPA DE PROTECCIÓN DE LA BOMBILLA LED**

**Extracción de la tapa de la luz**  
Agarrar las asas de la tapa de la luz LED y tirar de ellas unos 45 grados. Quitar la tapa del termostato.

**Montaje de la tapa de la luz**  
Agarrar la tapa de la lámpara abierta 45 grados y colocar el pasador de montaje en el recolector. Apretar la tapa firmemente en el termostato.



**CAMBIO DE LADO DE APERTURA DE LA PUERTA**

La puerta de este frigorífico es reversible. Se puede elegir entre abrirla desde la derecha o desde la izquierda. Para cambiar el lado de apertura de la puerta, seguir las instrucciones que aparecen a continuación:

1. Desenchufar el cable de alimentación de la toma de corriente de pared y sacar todo el contenido de frigorífico.
2. Quitar la tapa de la bisagra y desenroscar los tornillos de la bisagra. Quitar la bisagra superior.
3. Desmontar los pies de apoyo y desenroscar los tornillos de la bisagra inferior.
4. Cambiar la posición de la bisagra inferior al lado opuesto del electrodoméstico, sujetar la puerta a la bisagra inferior, y sustituir los tornillos y los pies de apoyo.
5. Quitar los tapones de plástico y orientar la puerta con respecto a la bisagra superior. Volver a montar la bisagra superior con los tornillos y colocar la tapa de bisagra.
6. Presionar los tapones de plástico en los orificios abiertos.



**TROUBLE SHOOTING GUIDE**

| Problema  | Causas y soluciones posibles   |
|---|--|
| El frigorífico no funciona                        | <ul style="list-style-type: none"> <li>• No recibe alimentación eléctrica.</li> <li>• No está enchufado.</li> <li>• El disyuntor se ha desconectado o se ha fundido un fusible.</li> <li>• La temperatura de frigorífico está en el ajuste "0".</li> </ul>   |
| El frigorífico se enciende y apaga con frecuencia | <ul style="list-style-type: none"> <li>• La temperatura ambiente de la habitación es más elevada de lo normal.</li> <li>• Se ha introducido demasiada comida en el frigorífico.</li> <li>• La puerta se abre demasiado a menudo.</li> <li>• La puerta no se ha cerrado correctamente.</li> <li>• La temperatura no se ha ajustado correctamente.</li> <li>• La junta de la puerta no aísla adecuadamente.</li> <li>• El frigorífico no tienen las tolerancias correctas.</li> </ul>  |
| El frigorífico no enfría lo suficiente            | <ul style="list-style-type: none"> <li>• La puerta se abre a menudo y se deja abierta.</li> <li>• El frigorífico está demasiado cerca de la pared o de una fuente de calor.</li> <li>• Se ha guardado demasiada comida o demasiada bebida en el frigorífico.</li> <li>• La temperatura no está regulada correctamente.</li> </ul>  |
| El frigorífico vibra                              | <ul style="list-style-type: none"> <li>• No está bien nivelado.</li> </ul>   |
| El frigorífico emite un ruido fuerte              | <ul style="list-style-type: none"> <li>• El ruido de cascabeleo puede provenir del flujo del refrigerante, lo que es normal.</li> <li>• Al final de cada ciclo, es posible oír sonidos de gorgoteo, los cuales están causados por el flujo de refrigerante del frigorífico.</li> <li>• La contracción y la expansión de las paredes interiores puede provocar chasquidos y crujidos.</li> <li>• No está bien nivelado.</li> <li>• El frigorífico está en contacto con objetos de su alrededor.</li> <li>• Es posible que las baldas interiores no estén bien colocadas en su sitio.</li> </ul> |
| La puerta no se cierra bien                       | <ul style="list-style-type: none"> <li>• No está bien nivelado.</li> <li>• La junta está sucia o torcida.</li> <li>• Las baldas, los recipientes o las cestas no están bien colocados en su sitio.</li> </ul>  |
| El frigorífico emite olores                       | <ul style="list-style-type: none"> <li>• La comida o la bebida no están bien tapadas.</li> <li>• Debe limpiarse el frigorífico.</li> </ul>   |
| Hay cristales de hielo en la pared posterior      | <ul style="list-style-type: none"> <li>• Con un uso normal, el hielo acumulado acaba derritiéndose. Si se abre la puerta con frecuencia y no se cierra, se puede acumular demasiado hielo y será necesario descongelar el frigorífico.</li> </ul>  |

Si los signos de funcionamiento incorrecto continúan o son diferentes de los de la guía de localización de averías, ponerse en contacto con un técnico cualificado o visitar nuestro sitio web: [www.marshall.com](http://www.marshall.com)

**GARANTÍA DEL FRIGORÍFICO**

Para consultar más información sobre la garantía y los aspectos jurídicos específicos de cada región, visitar el sitio web: [www.marshall.com](http://www.marshall.com). Esta garantía limitada le otorga derechos jurídicos específicos, y es posible que pueda beneficiarse de otros derechos en función de su región o país. Algunos lugares no permiten limitaciones por lo que respecta a garantías implícitas por la exclusión o limitación de daños accidentales o consecuentes, por lo que las limitaciones o las exclusiones indicadas anteriormente pueden ser no aplicables en su caso.

**ELIMINACIÓN**

No desechar este producto junto con otros residuos domésticos en ningún país de la Unión Europea. Para evitar posibles perjuicios al medio ambiente o la salud de los humanos por el desecho de residuos de forma no controlada, reciclar este artículo de forma responsable para promover la reutilización sostenible de recursos materiales. La eliminación de este frigorífico está sujeta a la directiva de la Unión Europea sobre Residuos de aparatos eléctricos y electrónicos (RAEE). Para obtener información más detallada sobre el reciclaje del frigorífico, póngase en contacto con una autoridad local, un servicio de eliminación de residuos domésticos o el establecimiento donde lo adquirió.



# ATTENZIONE! ISTRUZIONI DI SICUREZZA

## LEGGERE ATTENTAMENTE QUESTO MANUALE PRIMA DI COLLEGARE. SEGUIRE TUTTE LE ISTRUZIONI E PRESTARE ATTENZIONE A TUTTI GLI AVVERTIMENTI.

### ATTENZIONE!

Un uso improprio del collegamento a terra può comportare il rischio di scosse elettriche. Consultare un elettricista qualificato se le istruzioni di messa a terra non sono comprese in modo corretto o se sussistono dubbi sulla corretta messa a terra dell'apparecchio.

### REQUISITI ELETTRICI

- Questo apparecchio deve essere collegato a terra. In caso di cortocircuito elettrico, la messa a terra riduce il rischio di scosse elettriche fornendo un filo di fuga per la corrente elettrica.
- Questo apparecchio è dotato di un cavo con un filo di messa a terra e con spina di messa a terra. La spina deve essere inserita in una presa correttamente installata e messa a terra.



### RISCHIO D'INCENDIO

### COLLEGAMENTO ELETTRICO

- Sul pannello di controllo esterno del frigorifero non passa alcuna corrente. Gli interruttori non si illuminano. Le manopole e i jack di ingresso hanno puramente scopo decorativo.
- La tensione deve essere limitata entro questi valori: da 187 V a 242 V per Regno Unito, UE, Australia, Cina e da 100 V a 120 V per il Nord America. In caso contrario, il motore principale può danneggiarsi.
- In nessun caso, tagliare o rimuovere il terzo polo di terra dal cavo di alimentazione in dotazione. Per la sicurezza personale, questo apparecchio deve essere adeguatamente collegato a terra.
- Fare controllare la presa a muro e il circuito elettrico da un elettricista qualificato per verificare che siano correttamente collegati a terra.
- Nel caso di presenza di prese a muro standard a 2 poli, è responsabilità e obbligo del cliente sostituirle con prese a muro a 3 poli correttamente collegate a terra.
- Per le caratteristiche di tensione e la tipologia di presa, fare riferimento al nostro sito web [www.marshall.com](http://www.marshall.com).
- L'apparecchio deve essere posizionato in modo che la presa a muro sia facilmente accessibile.
- Il cavo deve essere fissato dietro il frigorifero e non deve essere lasciato esposto o appeso per evitare lesioni accidentali.
- Non scollegare mai il frigorifero tirando il cavo di alimentazione. Afferrare sempre saldamente la spina ed estrarla direttamente dalla presa.
- Riparare o sostituire immediatamente tutti i cavi di alimentazione che appaiano sfilacciati o comunque danneggiati.
- Non utilizzare un cavo che presenti crepe o danni da abrasione nella sua lunghezza o a un'estremità.
- Durante la movimentazione del frigorifero fare attenzione a non danneggiare il cavo di alimentazione.
- Fare sostituire il cavo di alimentazione danneggiato solamente dal produttore, dal tecnico di assistenza o da personale qualificato per evitare rischi.

### PERICOLO

- Fornirsi di un circuito separato, solo per il frigorifero. Utilizzare prese non collegate a interruttori a muro.
- Non collegare o scollegare la presa elettrica con le mani bagnate.
- Prima di eseguire la pulizia o la manutenzione del frigorifero, scollegare il frigorifero o l'alimentazione. La mancata osservanza di questa precauzione può causare scosse elettriche o morte.
- Non tentare di riparare o sostituire alcuna parte del frigorifero a meno che non sia espressamente raccomandato in questo manuale.
- Tutti gli altri interventi di manutenzione devono essere affidati a un tecnico qualificato.
- Pericolo di incendio o esplosione. Presenza di refrigerante infiammabile. Non forare i tubi del refrigerante.

### ATTENZIONE

- Per garantire una corretta ventilazione, la parte anteriore del frigorifero deve essere completamente libera da ostacoli.

- Posizionare in un'area ben ventilata con temperature superiori a 60 °F (16 °C) e inferiori a 90 °F (32 °C).
- Il frigorifero deve essere installato in un'area protetta da intemperie o da altre condizioni esterne, come vento, pioggia, spruzzi o gocce d'acqua.
- Il frigorifero non deve essere collocato vicino a forni, griglie o altre fonti di calore elevato.
- Non piegare o schiacciare il cavo di alimentazione del frigorifero.
- Assicurarsi che i tubi non vengano schiacciati, piegati o danneggiati durante l'installazione.
- Non utilizzare dispositivi meccanici o altri mezzi diversi da quelli raccomandati dal produttore per accelerare il processo di sbrinamento.
- Non danneggiare il circuito frigorifero.
- Non utilizzare apparecchi elettrici all'interno dei vani per alimenti dell'apparecchio, a meno che non siano del tipo raccomandato dal produttore.
- Tenere libere da ostruzioni le aperture di ventilazione presenti nella scocca o nella struttura incorporata dell'apparecchio.
- (Specifiche per il Regno Unito/spina tipo G) contiene un fusibile da 13 ampere).

### AVVERTENZA

- Pericolo di incendio o esplosione. Presenza di refrigerante infiammabile. Consultare il manuale di riparazione/guida dell'utente prima di tentare di riparare il prodotto. Devono essere rispettate tutte le precauzioni di sicurezza.
- Pericolo di incendio o esplosione. Smaltire l'apparecchio e le sue parti secondo le normative locali. Presenza di refrigerante infiammabile.
- Pericolo di incendio o esplosione a causa della perforazione dei tubi del refrigerante. Seguire attentamente le istruzioni per l'uso. Presenza di refrigerante infiammabile.

**Non utilizzare una prolunga:** utilizzare una presa a muro esclusiva. Non collegare il frigorifero mediante prolunge insieme ad altri apparecchi e nella stessa presa a muro. Non giuntare il cavo.

**AVVISO IMPORTANTE:** non pulire mai le parti del frigorifero con fluidi infiammabili che potrebbero presentare il rischio di incendio o esplosione. Non conservare nell'apparecchio sostanze esplosive come bombolette spray con un propellente infiammabile.

**PERICOLO:** rischi per i bambini! Non permettere mai ai bambini di azionare, giocare o introdursi nell'apparecchio. Non permettere ai bambini di tirare, giocare con le manopole o metterle in bocca.

L'apparecchio non è destinato all'uso da parte di persone (compresi i bambini di età inferiore agli 8 anni) con capacità fisiche, sensoriali o cognitive ridotte, o con scarsa esperienza e conoscenza, a meno che non siano supervisionati o non siano state fornite opportune istruzioni per l'uso dell'apparecchio da persone responsabili della loro sicurezza.

L'apparecchio è di uso domestico e simile, come ad esempio:

- Aree cucina del personale in negozi, uffici e altri ambienti di lavoro
- Alberghi e altre strutture ricettive
- Applicazioni per la ristorazione e l'ospitalità

### Prima di smaltire il frigorifero:

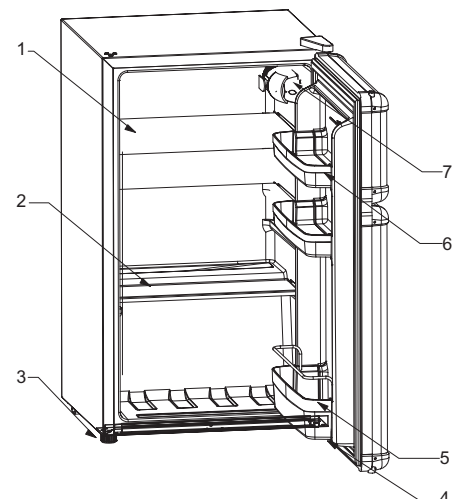
- Rimuovere la porta.
- Lasciare i ripiani in posizione in modo che i bambini non possano arrampicarsi all'interno.
- Smaltire il frigorifero in conformità alle normative locali.

Per ulteriori informazioni sulla sicurezza specifiche per la vostra regione, visitate il sito web: [www.marshall.com](http://www.marshall.com).

### CERTIFICAZIONE

Per visualizzare tutte le certificazioni del Frigorifero Marshall, visitare il sito web: [www.marshall.com](http://www.marshall.com).

## FRIGORIFERO 3.2



- Ripiano estraibile (grande)
- Ripiano estraibile (piccolo)
- Gamba di livellamento regolabile
- Gamba di livellamento fissa
- Vassoio inferiore della porta
- Vassoio superiore della porta
- Termostato

|                     |   |
|---------------------|---|
| <b>PRODOTTO</b>     | Modello MF 3.2 BLK  |
| <b>DIMENSIONI</b>   | 791 mm x 450 mm x 470 mm  |
| <b>PESO</b>         | 21 kg   |
| <b>ACCESSORI</b>    | Ripiani estraibili, termostato, logo Marshall e parti autentiche dell'amplificatore |
| <b>ALIMENTATORE</b> | 110V/60Hz o 220V-240V/50Hz  |
| <b>CAPACITÀ</b>     | 92 L  |

## ISTRUZIONI PER L'INSTALLAZIONE

### PRIMA DI UTILIZZARE IL FRIGORIFERO

Rimuovere gli imballaggi esterni e interni; pulire l'esterno con un panno morbido e asciutto e l'interno con un panno umido e bagnato con acqua tiepida.

Prima di collegare il frigorifero all'alimentazione elettrica, lasciarlo in posizione verticale per circa 2 ore. In questo modo si riduce la possibilità di un malfunzionamento del sistema di raffreddamento causato durante il trasporto.

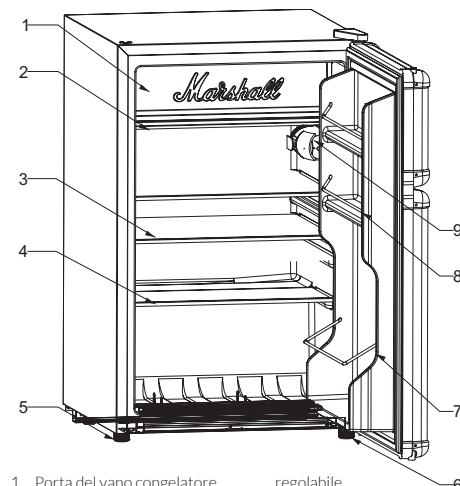
### INSTALLAZIONE DEL FRIGORIFERO

L'apparecchio è progettato per essere indipendente e non per l'incasso. Evitare di posizionare il frigorifero vicino a qualsiasi fonte di calore e umidità o alla luce solare diretta. Lasciare circolare liberamente l'aria.

### Seguire attentamente la procedura seguente:

- Selezionare una posizione con pavimento in piano.
- Lasciare 10 cm o 4 pollici di spazio tra la parte posteriore del frigorifero e qualsiasi parete adiacente.
- Evitare di esporre a luce solare diretta o calore. La luce solare diretta può danneggiare il rivestimento. La vicinanza a fonti di calore causa un maggiore consumo di energia elettrica.
- Evitare i luoghi umidi.
- Il prodotto è destinato esclusivamente all'uso domestico. Evitare l'esposizione a elementi esterni.

## FRIGORIFERO 4.4



- Porta del vano congelatore regolabile
- Vaschetta di sbrinamento
- Ripiano estraibile (grande)
- 4 Ripiani estraibili (piccolo)
- Gamba di livellamento
- Gamba di livellamento fissa
- Supporto per bottiglie grande
- Vassoio superiore della porta (2 pz.)
- Termostato

|                     |   |
|---------------------|---|
| <b>PRODOTTO</b>     | Modello MF 4.4 BLK  |
| <b>DIMENSIONI</b>   | 820 mm x 500 mm x 568 mm  |
| <b>PESO</b>         | 28 kg   |
| <b>ACCESSORI</b>    | Ripiani estraibili, termostato, logo Marshall, parti autentiche dell'amplificatore, vano congelatore e vaschetta di sbrinamento |
| <b>ALIMENTATORE</b> | 110V/60Hz o 220V-240V/50Hz  |
| <b>CAPACITÀ</b>     | 126 L   |

- Tenere la base e sollevarla con cautela. Non inclinare più di 45 gradi e non utilizzare la porta come supporto. Non collocare mai capovolto o su un lato.
- Mettere il frigorifero in posizione.
- Collegare il frigorifero a una presa a muro esclusiva, correttamente installata a terra. In nessun caso, tagliare o rimuovere il terzo polo (di terra) dal cavo di alimentazione. Qualsiasi domanda riguardante l'alimentazione e/o la messa a terra deve essere indirizzata a un elettricista certificato o a un call center autorizzato. Per le caratteristiche di tensione e la tipologia di presa, visitare il sito web: [www.marshall.com](http://www.marshall.com).
- Dopo aver inserito l'apparecchio in una presa a muro, lasciare raffreddare il frigorifero per 2-3 ore prima di riporre gli alimenti nei vani frigorifero e refrigeratore.
- Non appoggiare oggetti pesanti sul frigorifero.

## ISTRUZIONI PER L'USO

### IMPOSTAZIONE DEL CONTROLLO DELLA TEMPERATURA

- Il pannello di controllo della temperatura si trova sulla parte superiore del frigorifero. La prima volta che si accende il frigorifero, impostare il controllo della temperatura su 4.
- Il campo di regolazione della temperatura è compreso tra la posizione 1 e 7. Dopo 24-48 ore, regolare la temperatura in base alle proprie esigenze.

- Si consiglia il livello 4.
- Per spegnere il frigorifero, impostare la regolazione della temperatura su "0".

### UTILIZZO DEL VASSOIO PER IL GHIACCIO (SOLO MODELLO 4.4)

- Le posizioni consigliate del termostato per la produzione di ghiaccio sono 5-7.
- Riempiere 2/3 della vaschetta per i cubetti di ghiaccio con acqua fredda o con qualsiasi liquido adatto al congelamento e posizionare la vaschetta sul fondo del vano refrigeratore per un congelamento corretto.
  - Asciugare il vassoio; in caso contrario, potrebbe attaccarsi al fondo del vano refrigeratore.
  - Per estrarre in modo corretto i cubetti di ghiaccio dal vassoio, tenere il vassoio sotto il rubinetto di acqua fredda per un secondo.
  - Per estrarre i cubetti di ghiaccio, posizionare il vassoio sul secchiello del ghiaccio e ruotare leggermente.

## CURA E MANUTENZIONE

### CURA DELLE PARTI ESTERNE DEL FRIGORIFERO

Utilizzare un panno asciutto da spolvero e strofinare molto delicatamente. Utilizzare un panno umido per le superfici metalliche.

### CONSERVAZIONE DEGLI ALIMENTI

Lasciare raffreddare le pietanze calde a temperatura ambiente prima di riporle nel frigorifero. Collocare gli alimenti in appositi contenitori ermetici.

### AVVERTENZA

Il mancato scollegamento del frigorifero prima della manutenzione può causare scosse elettriche o lesioni alle persone.

### PULIZIA DEL FRIGORIFERO

- Si consiglia di pulire il frigorifero una volta al mese.
- Prima di procedere alle operazioni di pulizia e manutenzione, assicurarsi che il cavo di alimentazione del frigorifero sia scollegato.
- Girare la regolazione della temperatura su "0", scollegare il frigorifero e rimuovere gli alimenti, i ripiani e i vassoi.
- Lavare le superfici interne con acqua calda e bicarbonato di sodio. Le proporzioni della soluzione devono essere di circa 2 cucchiaini di bicarbonato di sodio per un quarto di litro d'acqua.
- Lavare i ripiani e i vassoi con una soluzione detergente delicata.
- Pulire le parti esterne del frigorifero con un panno morbido e asciutto.
- Non utilizzare detergenti a base di solventi o abrasivi per la pulizia delle parti interne. Questi detergenti possono danneggiare o scolorire le parti.

### SBRINAMENTO DEL FRIGORIFERO (SOLO MODELLO 4.4)

- Sbrinare il frigorifero ogni volta che la formazione di ghiaccio all'interno del vano refrigeratore raggiunge uno spessore di 6 mm (1/4 di pollice).
- Impostare il termostato sulla posizione "0".
  - Scollegare il frigorifero.
  - Rimuovere alimenti e contenitori dal frigorifero durante la procedura di sbrinamento.
  - Accertarsi che la vaschetta di sbrinamento sia in posizione!
  - Lasciare la porta parzialmente socchiusa durante lo sbrinamento per accelerare il processo. Si prega di notare: durante il ciclo di sbrinamento può fuoriuscire acqua dalla vaschetta di sbrinamento. Posizionare un panno assorbente sul fondo del frigorifero per assorbire l'acqua che può trascinare dalla vaschetta di sbrinamento.

Al termine dello sbrinamento, svuotare la vaschetta e asciugare accuratamente l'interno del frigorifero.

Collegare nuovamente il cavo di alimentazione e impostare il controllo del raffreddamento come necessario. Il frigorifero può impiegare un certo periodo di tempo prima di raggiungere la temperatura di esercizio. Posizionare gli alimenti nel frigorifero una volta raggiunta la temperatura interna necessaria.

Non utilizzare strumenti affilati o appuntiti per rimuovere il ghiaccio dal vano refrigeratore. La foratura accidentale dei tubi del gas refrigerante all'interno del vano refrigeratore rende il frigorifero inutilizzabile e invalida la garanzia del produttore.

### INTERRUZIONE DI CORRENTE

È necessario ridurre al minimo il numero di aperture delle porte quando si verifica un'interruzione di corrente. In caso di mancanza di corrente per più

di 2 ore, si prega di adottare misure per proteggere il cibo.

### VACANZE

In caso di brevi vacanze, lasciare la manopola di regolazione nella sua posizione normale. In caso di assenze superiori a tre settimane:

1. Rimuovere tutti gli alimenti.
2. Scollegare il cavo di alimentazione dalla presa elettrica.
3. Pulire accuratamente il frigorifero.
4. Lasciare lo porta aperta per evitare possibili formazioni di condensa, muffe o odori.

### IN CASO DI TRASLOCO

- Rimuovere tutti gli elementi mobili all'interno del frigorifero.
- Per evitare di danneggiare le gambette di livellamento, girarle completamente all'interno della base.
- Il frigorifero deve essere in posizione verticale durante il trasporto.
- Chiudere la porta con un nastro adesivo se necessario.

### CONSIGLI PER IL RISPARMIO ENERGETICO

- Il frigorifero deve essere collocato nella zona più fresca della stanza, lontano da apparecchi che producono calore e dalla luce solare diretta.
- Raffreddare gli alimenti a temperatura ambiente prima di riporli nel frigorifero.
- Avvolgere correttamente gli alimenti e asciugare i contenitori prima di riporli in frigorifero.
- Organizzare ed etichettare gli alimenti per diminuire l'apertura delle porte e le ricerche prolungate. Rimuovere tutti gli elementi necessari in una sola volta e chiudere la porta il prima possibile.

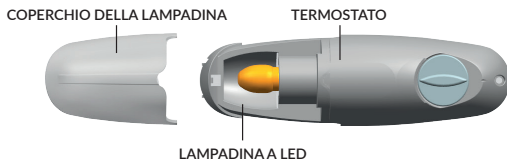
### VANO REFRIGERATORE (SOLO MODELLO 4.4)

Questo vano è destinato alla produzione di cubetti di ghiaccio e la conservazione a breve termine (3-4 giorni) di alcuni alimenti surgelati disponibili in commercio. La temperatura in questo vano non è raffreddata a sufficienza da permettere il congelamento di alimenti in modo sicuro e per lunghi periodi. Risulta particolarmente utile invece per la conservazione del cibo già congelato.

La porta del refrigeratore è soggetta a rottura a causa dell'eccessivo accumulo di ghiaccio. Questa parte non è coperta da garanzia. Sbrinare quando lo spessore del ghiaccio supera 6 mm (1/4 di pollice).

### SOSTITUZIONE DELLA LAMPADINA A LED

1. Scollegare il frigorifero. Accertarsi che l'unità sia spenta.
2. Aprire la porta. Rimuovere il coperchio trasparente in plastica della lampadina.
3. Svitare la lampadina a LED in senso antiorario.
4. Una volta rimossa, installare la nuova lampadina e reinstallare il coperchio.
5. Collegare il frigorifero alla presa.



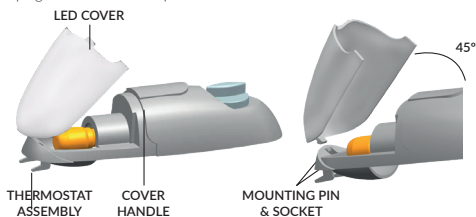
### RIMOZIONE E INSTALLAZIONE DEL COPERCHIO PROTETTIVO DELLA LAMPADINA A LED

#### Rimozione del coperchio della lampadina

Tenere le linguette del coperchio della lampadina a LED e sollevare il coperchio verso l'alto di circa 45 gradi. Rimuovere il coperchio dal termostato.

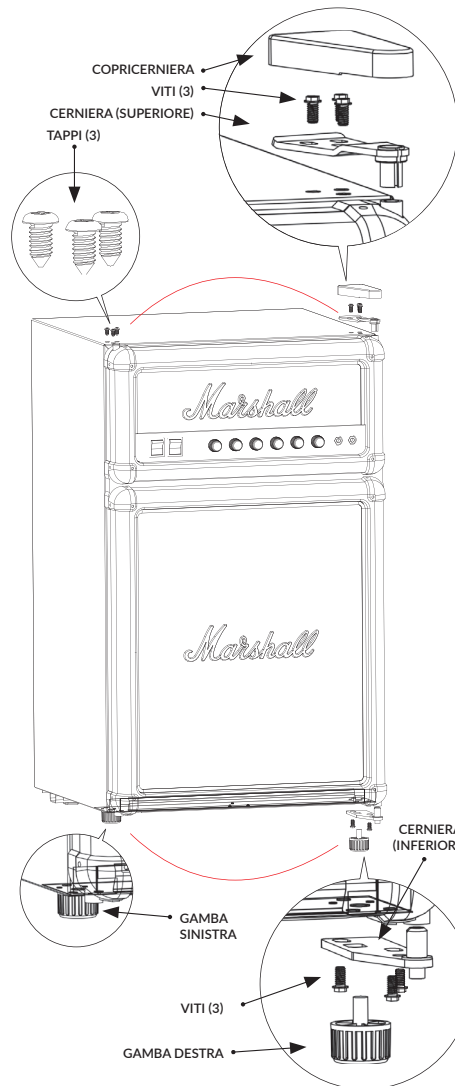
#### Installazione del coperchio della lampadina a LED

Tenendo il coperchio a 45 gradi, inserire il perno di montaggio nello zoccolo. Spingere saldamente il coperchio nel termostato.



## INVERSIONE DELL'APERTURA DELLA PORTA

- Il frigorifero è costruito con porta reversibile. È possibile scegliere l'apertura da sinistra o da destra. Per invertire la direzione di apertura della porta, seguire le seguenti istruzioni:
1. Scollegare il cavo di alimentazione dalla presa a muro e svuotare tutto il contenuto del frigorifero.
  2. Rimuovere il copricerniera e svitare le viti. Rimuovere la cerniera superiore.
  3. Disinstallare le gambe di supporto e svitare le viti della cerniera inferiore.
  4. Spostare la cerniera inferiore sul lato opposto dell'apparecchio, sostenere la porta sulla cerniera inferiore, sostituire le viti e le gambe di supporto.
  5. Rimuovere i tappi di plastica e allineare la porta alla cerniera superiore. Fissare la cerniera superiore con viti e montare il copricerniera sulla cerniera.
  6. Premere i tappi di plastica nei fori aperti.



## GUIDA ALLA RISOLUZIONE DEI PROBLEMI

| Problema                                      | Possibile causa/soluzione  |
|---|--|
| Non funziona                                  | <ul style="list-style-type: none"> <li>• Nessuna alimentazione al frigorifero.</li> <li>• Non collegato.</li> <li>• L'interruttore automatico è scattato o un fusibile è bruciato.</li> <li>• Il controllo della temperatura del frigorifero è impostato sulla posizione "0".</li> </ul>   |
| Si accende e si spegne frequentemente         | <ul style="list-style-type: none"> <li>• La temperatura ambiente è più alta del normale.</li> <li>• Nel frigorifero è stata introdotta una grande quantità di alimenti.</li> <li>• La porta viene aperta troppo spesso.</li> <li>• La porta non è completamente chiusa.</li> <li>• Il controllo della temperatura non è impostato correttamente.</li> <li>• La guarnizione della porta non chiude correttamente.</li> <li>• Il frigorifero non ha gli spazi liberi necessari.</li> </ul>   |
| Non raffredda a sufficienza                   | <ul style="list-style-type: none"> <li>• La porta viene aperta spesso e lasciata aperta.</li> <li>• Il frigorifero è troppo vicino alla parete o a una fonte di calore.</li> <li>• All'interno del frigorifero è conservata una quantità eccessiva di alimenti e bevande.</li> <li>• La temperatura non è regolata in modo corretto.</li> </ul>  |
| Vibrazioni                                    | <ul style="list-style-type: none"> <li>• Il frigorifero non è in piano.</li> </ul>   |
| Forte rumore                                  | <ul style="list-style-type: none"> <li>• Normalmente, il flusso del refrigerante può provocare un rumore sferragliante.</li> <li>• Al termine di ogni ciclo, il flusso di refrigerante può provocare un rumore di gorgoglio nel frigorifero.</li> <li>• La contrazione e l'espansione delle pareti interne può causare rumori di scoppietto e crepitii.</li> <li>• Il frigorifero non è in piano.</li> <li>• Il frigorifero è a contatto con oggetti.</li> <li>• I ripiani interni possono essere posizionati in modo errato.</li> </ul> |
| La porta non si chiude correttamente          | <ul style="list-style-type: none"> <li>• Il frigorifero non è in piano.</li> <li>• La guarnizione è sporca o piegata.</li> <li>• I ripiani, i contenitori o i cestini non sono posizionati in modo corretto.</li> </ul>  |
| Cattivo odore                                 | <ul style="list-style-type: none"> <li>• Gli alimenti o le bevande non sono adeguatamente coperti.</li> <li>• Il frigorifero deve essere pulito.</li> </ul>  |
| Cristalli di ghiaccio sulla parete posteriore | <ul style="list-style-type: none"> <li>• In condizioni d'uso normali, questo accumulo di ghiaccio si scioglie da solo. Un accumulo notevole di ghiaccio può indicare un'apertura frequente della porta o una chiusura non corretta e richiedere lo sbrinamento.</li> </ul>   |

Se i problemi persistono o non è stata trovata una risoluzione del problema nell'apposita guida, contattare un tecnico qualificato o consultare il nostro sito web: [www.marshall.com](http://www.marshall.com).

### GARANZIA DEL FRIGORIFERO

Per informazioni sulla garanzia e informazioni legali specifiche per la vostra regione, visitate il sito web: [www.marshall.com](http://www.marshall.com). Questa garanzia limitata conferisce all'utente diritti legali specifici. L'utente può avere altri diritti legali che variano secondo i regolamenti locali. I regolamenti locali di alcuni paesi non consentono limitazioni sulle garanzie implicite o l'esclusione o la limitazione di danni incidentali o consequenziali, per cui le limitazioni o esclusioni di cui sopra possono non essere applicabili.

### SMALTIMENTO

In tutto il territorio UE è vietato lo smaltimento del prodotto insieme ad altri rifiuti domestici. Per evitare possibili danni all'ambiente o alla salute delle persone derivanti da uno smaltimento incontrollato dei rifiuti, riciclarli responsabilmente e promuovere il riutilizzo sostenibile delle risorse materiali. Lo smaltimento del frigorifero è soggetto alla Direttiva sui rifiuti di apparecchiature elettriche ed elettroniche (RAEE) dell'Unione Europea. Per informazioni più dettagliate sul riciclo del frigorifero, si prega di contattare l'autorità locale, il servizio di smaltimento rifiuti domestici o il punto vendita al dettaglio dove è stato acquistato il frigorifero.



## 警告! 安全指南

请在通电之前仔细阅读本手册。  
请遵守所有说明并注意所有警告。

### 警告!

不正确使用接地插头可能会导致触电。如果没有完全理解接地说明, 或者不确定此电器是否正确接地, 请咨询合格的电工。

### 电气要求

- 此电器必须接地。如果发生电路短路, 接地可提供电流逃逸通路, 以降低触电风险。
- 此电器配有一根带接地线和接地插头的电源线。插头必须插入正确安装并接地的插座。



### 火灾风险

### 电气连接

- 冰箱的外部控制面板没有电。开关不会亮起; 旋钮和插孔仅为装饰。
- 电压应限制在以下范围内: 在英国、欧盟、澳大利亚、中国, 电压为 187V 至 242V; 在北美地区, 电压为 100V 至 120V; 否则主电机将损坏。
- 在任何情况下, 切勿切断或取下随附电源线的第三个接地插脚。为确保人身安全, 本产品必须正确接地。
- 必须由合格的电工检查壁式插座和电路, 以确保插座正确接地。
- 当遇到标准双孔壁式插座时, 客户有责任和义务将其更换为正确接地的三孔壁式插座。
- 如需了解电压和插座类型, 请参阅我们的网站 [www.marshall.com](http://www.marshall.com)。
- 此电器应该放置在易于连接壁式插座的位置。
- 电源线应固定在冰箱后面, 不得露出或悬空, 以免造成意外伤害。
- 拔下冰箱插头时, 切勿拉拽电源线。务必牢牢抓住插头, 然后直接将其从插座中拉出。
- 立即修理或更换所有磨损或损坏的电源线。
- 切勿使用线体或两端出现裂缝或磨损的电线。
- 移动冰箱时务必小心, 切勿损坏电源线。
- 如果电源线损坏, 必须由制造商、其服务代理商或类似的合格人员更换, 以避免发生危险。

### 危险

- 建议为您的冰箱提供专用的电路。使用无法通过开关或拉线关闭的插座。
- 双手潮湿时, 切勿连接或断开电源插头。
- 在清洁或维修之前, 请拔下冰箱插头或断开电源。否则, 可能导致触电或死亡。
- 除非本手册中特别推荐, 否则, 请勿尝试维修或更换冰箱的任何部件。
- 所有其他维修必须咨询合格的技术人员。
- 火灾或爆炸风险。本产品使用易燃制冷剂。切勿弄破制冷剂管。

### 警告

- 为确保通风良好, 冰箱前方必须完全畅通无阻。
- 放置在通风良好的区域, 温度高于60°F (16°C) 且低于90°F (32°C)。
- 冰箱必须安装在不受天气或其他外部条件(如风、雨、喷水或滴水)影响的区域。
- 冰箱不应置于烤箱、烤架或其他高温热源旁边。
- 确保冰箱的电源线不会打结或受到挤压。
- 在安装过程中, 确保管道没有受到挤压、发生打结或损坏。
- 除非制造商推荐, 否则, 切勿使用机械设备或其他方法来加速除霜过程。
- 切勿损坏冰箱电路。
- 切勿在冰箱的食品储藏室内使用电器, 除非此类电器是制造商推荐的类型。
- 保持此电器的外壳或内置结构上的通风口畅通无阻。
- (仅限英制规格/G型插头) 插头带有13A培保险丝。

### 注意

火灾或爆炸风险。本产品使用易燃制冷剂。在尝试维修本产品之前, 请查阅维修手册/用户指南。必须遵守所有安全防护措施。

火灾或爆炸风险。请根据联邦或当地法规进行处置。本产品使用易燃制冷剂。

制冷剂管道破裂可能会导致火灾或爆炸。请小心遵守处理说明。本产品使用易燃制冷剂。

**切勿使用延长线插座:** 请使用专用壁式插座。切勿使用延长线插座将冰箱与任何其他电器连接至同一个壁式插座。切勿拼接电源线。

**重要警告:** 切勿使用易燃液体清洁冰箱部件, 否则可能导致火灾或爆炸。切勿将气溶胶罐等爆炸性物质与冰箱中的易燃推进剂存放在一起。

**危险:** 儿童受困风险! 切勿让儿童操作冰箱、或在冰箱内玩耍或爬行。切勿让孩子拉扯或玩弄旋钮或将其放入口中。

本设备不得由身体虚弱、感觉迟钝或智力低下的人员(包括8岁以下儿童)、或缺乏知识经验的人使用, 除非负责其安全的人员在其使用本设备时提供监护或指示。

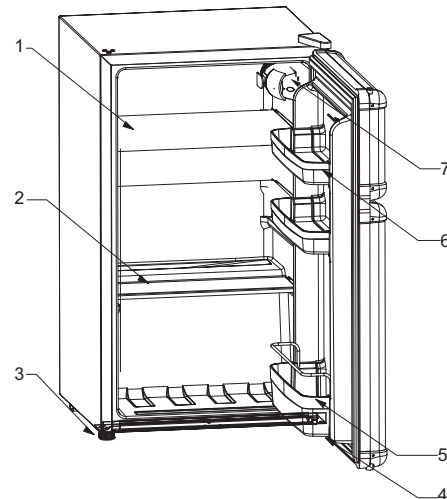
本产品适用于家用和类似用途, 例如:

- 商店、办公室和其他工作环境中的员工厨房区
- 酒店和其他住宿设施
- 餐饮和酒店用途

处置冰箱时:

- 拆下冰箱门。
- 将储物架留在原位, 使儿童无法爬入。

## 3.2型冰箱



- |             |          |
|-------------|----------|
| 1. 活动储物架(大) | 5. 下部门托盘 |
| 2. 活动储物架(小) | 6. 上部门托盘 |
| 3. 可调节的平衡脚  | 7. 温控器   |
| 4. 固定平衡脚    |          |

|    |                            |
|----|----------------------------|
| 产品 | 型号: MF 3.2 BLK             |
| 尺寸 | 791毫米 x 450毫米 x 470毫米      |
| 重量 | 21千克                       |
| 配件 | 活动储物架、温控器、马歇尔品牌标志和正品Amp部件  |
| 电源 | 110V/60Hz 或 220V~240V/50Hz |
| 容量 | 92升                        |

## 安装指南

### 在使用冰箱之前

拆开外部和内部包装; 用柔软的干布擦拭外表面, 并用温热的湿抹布擦拭里面。

在接通冰箱电源之前, 将冰箱直立放置约2小时。这样可减少由于运输搬运导致冷却系统发生故障的可能性。

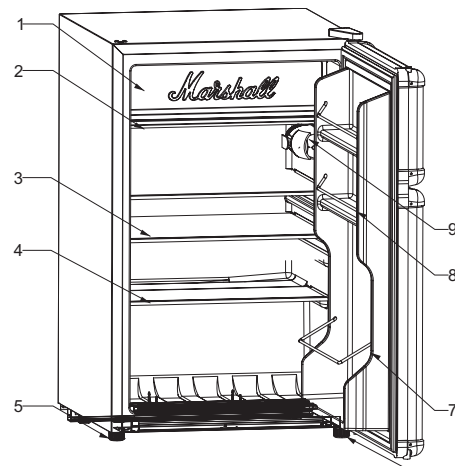
### 安装冰箱

此电器采用独立式设计, 不应以嵌入或内置方式安装。切勿将冰箱放置在靠近任何热源、受到阳光直射或受潮的位置。确保空气能够自由流通。

请务必按照以下步骤操作:

- 选择水平地面。
- 在冰箱背面与所有相邻墙壁之间留出10厘米或4英寸的空间。
- 避免阳光直射和高温。阳光直射可能会影响涂层。靠近热源会导致耗电量增加。
- 避免放置在潮湿的地方。
- 此产品仅供家用, 且须避免受到户外因素影响。
- 抓住底座并小心抬起。切勿倾斜超过45度; 且切勿抓住冰箱门作为支撑。切勿将冰箱倒立或侧放。
- 将冰箱推入预定位置。
- 将冰箱插入专用且正确接地的壁式插座。在任何情况下, 切勿切断或

## 4.4 型冰箱



- |             |              |
|-------------|--------------|
| 1. 冷藏室门     | 6. 固定平衡脚     |
| 2. 滴水盘      | 7. 大瓶架       |
| 3. 活动储物架(大) | 8. 上部门托盘(2个) |
| 4. 活动储物架(小) | 9. 温控器       |
| 5. 可调节的平衡脚  |              |

|    |                                    |
|----|------------------------------------|
| 产品 | 型号: MF 4.4 BLK                     |
| 尺寸 | 820毫米 x 500毫米 x 568毫米              |
| 重量 | 28千克                               |
| 配件 | 活动储物架、温控器、马歇尔品牌标志、正品Amp部件、冷藏室门和滴水盘 |
| 电源 | 110V/60Hz 或 220V~240V/50Hz         |
| 容量 | 126升                               |

取下电源线的第三个(接地)插脚。有关电源和/或接地的任何问题, 请联系经过认证的电工或授权的客服中心。如需了解电压和插座类型, 请访问网站: [www.marshall.com](http://www.marshall.com)。

- 将冰箱的插头插入壁式插座后, 等待冰箱制冷2-3小时, 再将食物放入冷藏室和冷冻室。
- 切勿将重物放在冰箱顶部。

## 操作指南

### 设置温度控制器

- 温度控制器面板位于冰箱的上部。首次给冰箱通电时, 请将温度控制器设置为4级。
- 温度控制器调节范围从1级到7级。24至48小时后, 可将温度控制器调整为最适合需求的级别。建议设置为4级。
- 如需关闭冰箱电源, 请将温度控制器设置为“0”。

### 使用制冰格 (仅限4.4型冰箱)

- 制冰温控器的推荐设置为5-7级。
- 用冷水或任何适合冷冻的液体填充制冰格至2/3, 然后将制冰格放在冷冻室底部, 以确保正常冷冻。
  - 擦干制冰格; 否则, 制冰格可能会粘在冷冻室的底部。
  - 将冰块从制冰格中取出的最佳方法是: 将制冰格放在水龙头下用冷水冲洗片刻。
  - 如需挤出冰块, 请将制冰格放在冰桶上并轻轻扭动。

## 保养和维护

### 冰箱外部保养

使用干布轻轻擦掉品格布上的灰尘。使用湿布擦拭金属表面。

### 食物存放

存放之前，先将热菜冷却至室温。将食物放入合适的气密容器中。

### 注意

在维护之前请拔下冰箱插头，否则可能会导致触电或人身伤害。

### 清洁冰箱

- 建议每月清洁一次冰箱。
- 在进行清洁和维护操作之前，请确保已断开冰箱的电源线。
- 将温度控制器转至“0”，拔下冰箱插头，取出食物、储物架和托盘。
- 用温水和苏打清洗内表面。清洁液配比应该是约2汤匙小苏打加入一夸脱水。
- 用温和的清洁剂溶液清洗储物架和托盘。
- 使用柔软的干布清洁冰箱外表面。
- 切勿使用溶剂型清洁剂或研磨剂清洁冰箱内部。这些清洁剂可能导致内部损坏或褪色。

### 冰箱除霜 (仅限4.4型冰箱)

冷冻室内积冰厚度达到1/4英寸 (6毫米) 时，应对冰箱进行除霜。

- 将温控器拨盘设置在“0”位置。
- 拔掉冰箱电源插头。
- 在除霜期间，请取出冰箱内所有东西。
- 确保滴水盘已放置就位！
- 在除霜期间，可将冰箱门部分打开，以加快除霜过程。请注意：在除霜过程中，水可能滴在滴水盘外面。请在冰箱底部放一条毛巾，以吸收溢出滴水盘的水。

除霜完成后，清空滴水盘并彻底擦干冰箱内部。

再次插好电源线，并根据需要设置制冷控制器。冰箱需要一段时间才能达到运行温度。在冰箱内部再次冷却后，重新将物品装入冰箱。

切勿使用锋利或尖锐的工具对冷冻室进行除冰操作。冷冻室内包括冷藏气体管线，如果意外穿孔/刺破，将导致冰箱无法工作并使保修失效。

### 停电

停电后，应尽量减少打开冰箱门的次数。如果停电超过2小时，请采取措施保护您的食物。

### 假期

如在短假期外出，请将控制旋钮置于正常设置位置。如离开超过三周：

- 取出所有食物。
- 从电源插座上拔下电源线。
- 彻底清洁冰箱。
- 保持冰箱门打开，以避免可能形成的冷凝水、霉菌或异味。

### 如果您要搬家

- 取出冰箱内的所有活动物品。
- 为避免损坏平衡脚，请将它们完全旋入底座。
- 运输过程中，应确保冰箱处于直立位置。
- 如果您认为有必要，请用胶带封住冰箱门。

### 节能技巧

- 冰箱应放在房间内最凉爽的区域，远离发热设备并避免阳光直射。
- 将食物冷却至室温，然后在放入冰箱。
- 妥善包裹食物并将容器擦干，然后将其放入冰箱。
- 整理并标记食物，以减少开门和长时间查找食物的次数。一次取出所需数量的物品，并尽快关闭冰箱门。

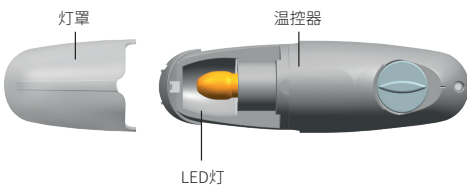
### 冷冻室 (仅限4.4型冰箱)

冷冻室用于制造冰块和短时间 (3-4天) 存放某些市售冷冻食品。冷冻室的温度不足以长时间安全冷冻食物，并且，已冷冻的食物可获得最佳效果。

如果积冰过多，冷冻室的门易于破裂。此类损坏不在保修范围内。积冰超过1/4英寸 (6毫米) 时，应该进行除霜。

### 更换LED灯泡

- 拔掉冰箱电源插头。确保冰箱电源关闭。
- 打开冰箱门。取下透明塑料灯罩。
- 逆时针旋转LED灯泡，直到将灯泡拧松。
- 取下后，安装新灯泡并重新装好灯罩。
- 充好插好冰箱电源。



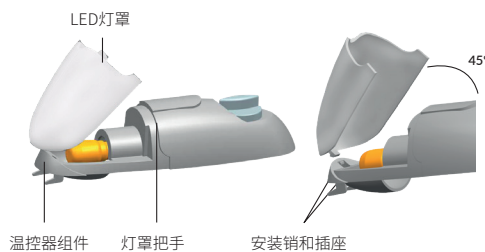
### 取下和安装LED保护罩

#### 取下灯罩

握住LED灯罩把手，沿着约45度方向将灯罩向上拉。从温控器上取下灯罩。

#### 安装灯罩

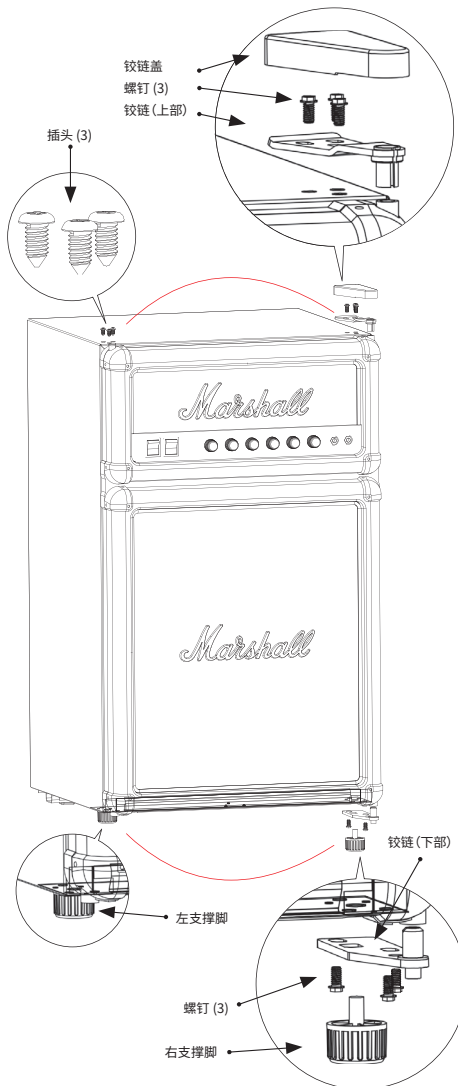
使将LED灯罩保持45度，将安装销放入插座中。将灯罩稳固地推入温控器。



## 更换开门方向

您的冰箱带有可左右开门的冰箱门。您可以选择从左侧或右侧打开冰箱门。如需改变冰箱门的开启方向，请按照以下说明操作：

- 从壁式插座上拔下电源线，清空冰箱内的所有物品。
- 卸下铰链盖并拧下铰链螺钉。卸下顶部铰链。
- 卸下支撑脚并拧下底部铰链螺钉。
- 将下部铰链安装的位置改为冰箱的另一侧，将冰箱门安装到下部铰链上，更换螺钉和支撑脚。
- 取下塑料插头，将冰箱门对准上部铰链。用螺丝重新接上铰链，并将铰链盖安装到铰链上。
- 将塑料插头压入开孔中。



## 故障排除指南

| 问题        | 可能的原因/解决方案   |
|-----------|--|
| 不工作       | <ul style="list-style-type: none"> <li>冰箱没打开电源。</li> <li>没插插头。</li> <li>断路器跳闸或保险丝熔断。</li> <li>冰箱温度控制器设定在“0”位。</li> </ul>   |
| 频繁启动和关闭   | <ul style="list-style-type: none"> <li>室温高于正常温度。</li> <li>冰箱里放入大量的食物。</li> <li>冰箱门经常打开。</li> <li>冰箱门没有完全关闭。</li> <li>温度控制器设置不正确。</li> <li>冰箱门垫圈没有起到有效的密封作用。</li> <li>冰箱周边没有预留出正确的间隙。</li> </ul>                      |
| 没有充分制冷    | <ul style="list-style-type: none"> <li>冰箱门经常打开并保持开启。</li> <li>冰箱过于靠近墙壁或热源。</li> <li>冰箱内存放的食物或饮料过多。</li> <li>温度调节不正确。</li> </ul>  |
| 振动        | <ul style="list-style-type: none"> <li>冰箱没有放置在水平地面上。</li> </ul>  |
| 噪声较大      | <ul style="list-style-type: none"> <li>卡塔作响的噪声可能是制冷剂流动的声音，属于正常的噪声。</li> <li>每个制冷循环结束时，您可能会听到冰箱中制冷剂流动引起的咕嘟声。</li> <li>冰箱内壁的收缩和膨胀可能产生爆裂和噼啪声。</li> <li>冰箱没有放置在水平地面上。</li> <li>冰箱与周围物体接触。</li> <li>内部储物架可能错位。</li> </ul> |
| 冰箱门无法正常关闭 | <ul style="list-style-type: none"> <li>冰箱没有放置在水平地面上。</li> <li>垫圈脏污或弯曲。</li> <li>储物架、储藏箱或篮筐不在正确位置。</li> </ul>   |
| 异味        | <ul style="list-style-type: none"> <li>食物或饮料没有盖好。</li> <li>冰箱需要清洁。</li> </ul>  |
| 冰箱后壁结冰    | <ul style="list-style-type: none"> <li>在正常使用情况下，这种积水会逐渐消失。如果冰箱门经常打开或没有关闭，积水可能很严重，并且可能需要除霜。</li> </ul>  |

如果问题持续或未纳入故障排除指南，请联系合格的技术人员或访问我们的网站：[www.marshall.com](http://www.marshall.com)。

### 冰箱保修

如需了解您所在地区的保修信息和法律信息，请访问网站：[www.marshall.com](http://www.marshall.com)。

此有限保修赋予您特定的法律权利，您还可能拥有其他权利，具体取决于不同的州或国家。有些地方不允许限制暗示保证，也不允许排除或限制偶发或继发损害，因此，上述限制或排除可能对您不适用。

### 处置

在整个欧盟地区，不得将此产品与其他家庭废弃物一起处置。为防止不受控制的废物处置可能对环境或人体健康造成危害，应该采用负责任的方式回收利用，以促进物质资源的可持续利用。

处置冰箱时应遵守《欧盟报废电子电气设备指令》(WEEE)。

如需了解冰箱回收的更多详细信息，请联系当地政府部门、家庭垃圾处理服务机构或销售冰箱的零售商店。



## 警告安全上の注意

本製品を電源コンセントに接続する前に、本書をよくお読みください。操作手順を全て守り、全ての警告にご注意ください。

### 警告

アースプラグを誤用すると感電するおそれがあります。アースの接続方法を完全に理解できない場合、本製品のアースが適切に接続されているかどうか疑わしい場合は、電気技師資格保持者に相談してください。

### 電源に関する必要条件

- 本製品にはアース接続が必要です。アース接続は、電源がショートした際に電流の迂回路が構成されるため、感電の危険性が減ります。
- 本製品はアースプラグ付きのアース線を搭載しています。本製品の電源プラグは、適切に設置され、アース接続されたコンセントに接続する必要があります。



### 引火のおそれ

### 電源接続

- 冷蔵庫上の操作パネルには電源スイッチがありません。スイッチは点灯せず、ツマミやジャックは外見上のみのもです。
- 電源電圧は、187V～242V (英国、EU諸国、オーストラリア、中国)、100V～120V (北米) の範囲内に限定されている必要があります。これらの範囲外の場合、メインモーターが破損します。
- 決して付属の電源ケーブルの第3ピンを切断したり取り外したりしないでください。使用者の安全のため、本製品は適切にアース接続する必要があります。
- 電気技師資格保持者に依頼して、コンセントのアース接続が適切に行われているか、コンセントならびに電気回路を確認してください。
- 標準2ピンコンセントの場合は、適切にアース接続された3ピンコンセントと交換することがお客様の責任ならびに義務となります。
- 電圧とコンセントの形式については、弊社ウェブサイト ([www.marshall.com](http://www.marshall.com)) をご覧ください。
- 本製品は電源コンセントに接続しやすい場所に設置する必要があります。
- 事故による負傷を防止するため、電源ケーブルは露出した状態や絡まった状態のまま放置せず、冷蔵庫背面に固定する必要があります。
- コンセントからプラグを取り外す際は、決して電源ケーブルを引っ張らないでください。必ずプラグをしっかりと握り、コンセントからまっすぐに引き抜いてください。
- 摩耗したり破損したりした電源ケーブルは、全て直ちに修理または交換してください。
- 両端や中間部に裂損、摩耗などの破損があるケーブルは使用しないでください。
- 冷蔵庫の移動時は、電源ケーブルを破損しないようご注意ください。
- 電源ケーブルが破損している場合は、危険を回避するため、製造元、製造元の整備代行業者またはそれと同等の資格を保有する者がケーブルの交換を行う必要があります。

### 危険

- 冷蔵庫のみを接続する専用の配線を用いることを推奨します。スイッチやチャーンで電源を切ることができないコンセントを使用してください。
- 濡れた手でプラグの抜き差しをしないでください。
- 掃除やお手入れをする場合は、冷蔵庫の電源を抜いてから実施してください。電源を抜かなかつた場合、感電や死亡のおそれがあります。
- 本書で特に推奨されていない限り、本製品のあらゆる部分についても、修理や交換を実施しないでください。
- その他の整備は、すべて資格を保有する技師に依頼してください。
- 引火・爆発のおそれがあります。可燃性の冷却剤が使用されています。冷却剤の配管に穴を開けないでください。

### 警告

- 適切な換気を確実にするため、冷蔵庫の前面は一切遮蔽しないでください。
- 十分に換気され、60°F (16°C) 以上90°F (32°C) 以下の場所に設置してください。
- 本製品は、風雨や霧、水滴、気候条件その他の外的条件から保護されている場所に設置する必要があります。
- 冷蔵庫をオープンやグリルその他高熱源の隣に設置してはなりません。

- 本製品の電源ケーブルをねじったりはさんだりしないでください。
- 設置時にパイプが挟まれたり、曲げられたり、破損したりしていないことを確認してください。
- 霜取りの時間短縮のために、メーカーが推奨するものを除き、機械その他の道具を使用しないでください。
- 氷温室の電気回路に損傷を与えないでください。
- メーカーが推奨するものを除き、食品収納部の内部で電動器具等を使用しないでください。
- 本製品の筐体内や内部の構造に、換気のための空間を取ってください。
- (英国仕様のみ・プラグタイプG) プラグには13Aのヒューズが内蔵されています。

### 注意：

- 引火・爆発のおそれがあります。可燃性の冷却剤が使用されています。本製品の整備を実施する前に、修理用マニュアル・取扱説明書をお読みください。安全のための注意を全て守る必要があります。
- 引火・爆発のおそれがあります。資材等の廃棄の際は、連邦政府または地方自治体の規制に従ってください。可燃性の冷却剤が使用されています。
- 冷却剤の配管に穴が開くと、引火や爆発の原因となるおそれがあります。注意深く取扱説明書に従ってください。可燃性の冷却剤が使用されています。

**延長ケーブルを使用しないでください。**専用のコンセントを使用してください。1カ所のコンセントに接続した延長ケーブルに、冷蔵庫と他の電気器具と一緒に接続しないでください。ケーブルを継ぎ延べしないでください。

**嚴重注意:**引火や爆発が発生する可能性がありますので、可燃性液で本製品をクリーニングしないでください。可燃性高圧ガスが入っているスプレー缶等を収納しないでください。

**危険:**子供が閉じ込められるおそれがあります。子供に本製品を使用させたり、本製品で遊んだり、本製品の内部に入らせたりしないでください。子供にノブを引いたり、ノブで遊んだり、ノブを口に入れたりさせないでください。

本製品の使用対象者には、8歳未満の子供を含む、身体、知覚、精神機能が不十分な方や知識や経験が未熟な方は含まれていません。(そうした方が他に安全の責任を負う方の監督や指導を受ける場合を除きます。)

本製品の使用目的は、家庭用および次に挙げる用途など、それに準じる目的です。

- 店舗、事務所などの職員用キッチンその他の職場環境
- ホテルその他の宿泊施設
- 仕出し、接客業用

### 本製品を廃棄する場合：

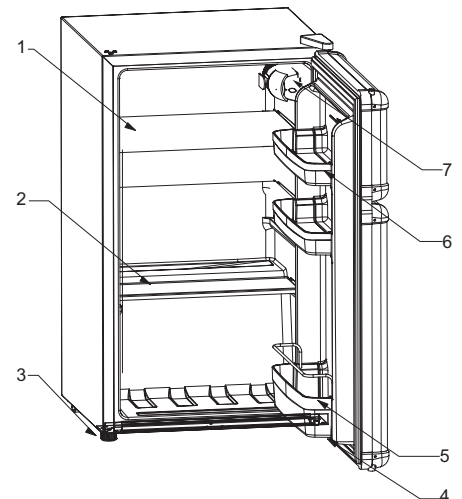
- ドアを取り外してください。
- 子供が庫内に入らないよう、棚は取り外さないでください。
- 資材等の廃棄の際は、連邦政府または地方自治体の規制と法令に従ってください。

お住まいの地域の安全関連情報については、ウェブサイト ([www.marshall.com](http://www.marshall.com)) をご覧ください。

### 認定情報

マーシャル冷蔵庫の全認定情報は、ウェブサイト ([www.marshall.com](http://www.marshall.com)) でご覧いただけます。

## 3.2 冷蔵庫



1. 着脱式棚板 (大)
2. 着脱式棚板 (小)
3. 可変水平脚
4. 固定水平脚
5. 下部ドアトレイ
6. 上部ドアトレイ
7. サーモスタット

|      |                                     |
|------|-------------------------------------|
| 製品   | モデル MF 3.2 BLK                      |
| 製品寸法 | 791mm x 450mm x 470mm               |
| 重量   | 21kg                                |
| 付属品  | 着脱式棚板、サーモスタット、マーシャルロゴ、マーシャル純正アンプ用部品 |
| 電源   | 110V/60Hz または 220V～240V/50Hz        |
| 容量   | 92リットル                              |

## 設置方法

### 本製品の使用前にお読みください。

本製品の外部と内部の梱包を取り除き、外部を柔らかい乾布で拭き、内部をぬるま湯で湿らせた布で拭きます。

本製品を電源に接続する前に、本製品を縦置きにして約2時間放置してください。こうすることで、輸送時の取扱により冷却システムが誤動作する可能性が減ります。

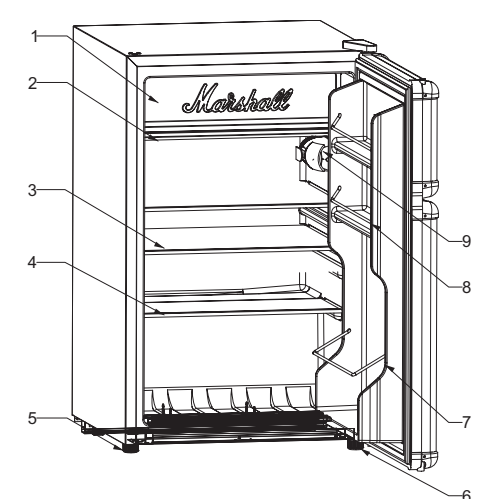
### 本製品の設置

本製品は内蔵型あるいはビルトインではなく、独立設置用として設計されています。本製品を熱源や直射日光、湿気に近接する場所に設置しないでください。換気が障害なく行われるようにしてください。

注意して次の手順に従ってください。

1. 床が水平な場所を選んでください。
2. 冷蔵庫背面とそれに面した壁の間には、10cmまたは4インチの間隔を開けてください。
3. 直射日光や熱を避けてください。直射日光はコーティング材に影響を及ぼす可能性があります。付近に熱源があると、消費電力が増加する原因となります。
4. 高湿度な場所を避けてください。
5. 本製品は家庭内専用ですので、屋外の影響要因を避けてください。
6. 注意して底部をつかんで持ち上げます。45度以上傾けないでください。

## 4.4 冷蔵庫



1. 氷温室ドア
2. 水受けトレイ
3. 着脱式棚板 (大)
4. 着脱式棚板 (小)
5. 可変水平脚
6. 固定水平脚
7. 大型ボトルプラケット
8. 上部ドアトレイ (2個)
9. サーモスタット

|      |  |
|------|--|
| 製品   | モデル MF 4.4 BLK                                 |
| 製品寸法 | 820mm x 500mm x 568mm                          |
| 重量   | 28kg   |
| 付属品  | 着脱式棚板、サーモスタット、マーシャルロゴ、マーシャル純正アンプ用部品、氷温室、水受けトレイ |
| 電源   | 110V/60Hz または 220V～240V/50Hz                   |
| 容量   | 126リットル  |

またドアをつかんで持ち上げないでください。本製品の上下を反転させたり、横置きしないでください。

7. 本製品を押しして所定の位置に移動させます。
8. 適切に設置された専用のコンセントに本製品を接続します。決して電源ケーブルの第3ピン (アースピン) を切断したり取り外したりしないでください。電源やアース接続に関する質問は、電気技師資格保有者または認定コールセンターにお問い合わせください。電圧とコンセントの形式については、弊社ウェブサイト ([www.marshall.com](http://www.marshall.com)) をご覧ください。
9. 本製品をコンセントに接続した後、冷蔵庫が冷えるまで2～3時間待つてから、冷蔵庫と氷温室に食品を入れてください。
10. 冷蔵庫の上部に重い物を乗せないでください。

## 操作方法

### 温度制御の設定

- 温度制御パネルは、冷蔵庫上部にあります。冷蔵庫への初回電源投入時は、温度制御を4に設定してください。
- 温度制御の範囲は、1～7です。24～48時間後、用途に合わせて温度制御を適宜調整してください。推奨設定は4です。
- 冷蔵庫の電源切断時は、温度制御を0に設定してください。

## アイストレイの使用 (4.4冷蔵庫のみ)

- 製氷時のサーモスタット推奨設定は5〜7です。
- 適切に凍らせるため、アイストレイの3分の2まで冷水や凍結に適した液体を注ぎ、トレイを氷温室の底部に置きます。
- トレイは乾かしてください。濡れていると氷温室の底部に凍り付く場合があります。
- トレイを数秒間冷水にさらすのが、トレイから氷を取り出す最善の方法です。
- トレイを氷入れの上で軽くひねって氷を取り出します。

## お手入れとメンテナンス

### 冷蔵庫外面のお手入れ

ランネットのホコリは、乾いた布でやさしく払います。金属表面には、湿った布を 사용합니다。

### 食品の貯蔵

熱い料理は室温まで冷ましてから冷蔵庫に入れます。食品は適切な密閉容器に入れます。

### 注意

メンテナンス前に電源を抜かなかった場合、感電や負傷のおそれがあります。

### 本製品のクリーニング

- 本製品を1ヶ月に一度クリーニングすることをお勧めします。
- クリーニングとメンテナンスの前に、本製品の電源ケーブルが抜き取られていることを確認してください。
- 温度制御を0に設定し、本製品の電源ケーブルを抜き取り、食品と棚板、トレイを取り出します。
- 内部表面を水とベーキングソーダで清掃します。洗浄液は、およそ水1リットルにつきベーキングソーダ小さじ2杯を加えます。
- 棚板とトレイは薄めた中性洗剤で洗います。
- 冷蔵庫の外面は、乾いた柔らかい布で清掃します。
- 本製品の内部には溶剤ベースの洗浄液や研磨剤を使わないでください。これらの洗浄剤は内部が傷ついたり色落ちすることがあります。

### 冷蔵庫の霜取り (4.4冷蔵庫のみ)

冷蔵庫の霜取りは、氷温室内の霜の厚さが4分の1インチ (6mm) になる度を実施する必要があります。

- サーモスタットのダイヤルを0に設定します。
- 冷蔵庫の電源プラグを抜き取ります。
- 霜取り時は冷蔵庫に入っているものすべてを取り出してください。
- 必ず水受けトレイを設置してください。
- 冷蔵庫のドアを少しだけ開けたままの状態にして作業を迅速化します。ご注意: 水が水受けトレイから溢れ出すことがあります。水受けトレイから溢れる水の流れを止めるため、冷蔵庫の底部にタオルを敷きます。

霜取りが完了したら、水受けトレイの水を捨てて、冷蔵庫内部の水分をよく拭き取ります。

電源プラグを再接続し、温度制御を適宜設定します。冷蔵庫が動作温度に達するまでには多少の時間を要します。庫内の温度が十分下がってから、冷蔵庫の貯蔵物を入れ直します。

氷温室の霜取りに先の尖った器具や鋭利な器具を使用しないでください。氷温室には、低温ガスの配管があり、それを誤って突き刺した場合、冷蔵庫は機能不可能となり、また製造元の製品保証も無効となります。

### 停電

停電時は、ドアの開閉を最低限度に抑制する必要があります。2時間以上の停電時は、食品を保管する措置を講じてください。

### 長期留守にする場合

留守にするのが短期間の場合は、操作ノブを通常の設定のまま維持してください。3週間以上留守にする場合、

- 内部の食品を全て取り出してください。
- 電源ケーブルをコンセントから抜き取ります。
- 本製品をよく清掃してください。
- 凝固物やカビ、悪臭の発生を防ぐために、ドアを開けた状態におきます。

### 転居する場合

- 冷蔵庫内部の固定されていない部分を全て取り外します。

- 水平調整脚の破損を防止するため、脚を土台に完全にねじ込みます。
- 移動時は、冷蔵庫を垂直な状態に保つ必要があります。
- 必要に応じてドアをテープで留めます。

### 節電のコツ

- 冷蔵庫は、室内の最も涼しく、熱を発生する器具や直射日光から離れた場所に設置する必要があります。
- 食品は、室温まで冷ましてから冷蔵庫に入れます。
- 食品は、適切な容器等に入れ、容器の水を除去してから冷蔵庫に入れます。
- 食品にはラベルをつけて整理し、ドアの開閉回数を減らし、探す時間を短縮します。ドアを1回開いた時に、必要な食品をできるだけ多く取り出し、できるだけ速やかにドアを開めます。

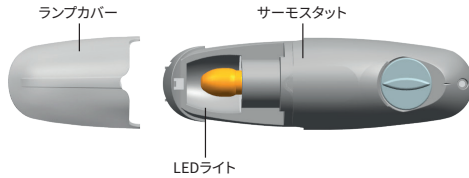
### 冷蔵庫 (4.4冷蔵庫のみ)

氷温室は製氷と、市販の冷凍食品の短期貯蔵 (3〜4日) 用です。氷温室の温度は、食品を確実に凍らせてたままにしておけるほど低温にはならず、食品が既に凍っている場合に最適です。

氷温室のドアは、霜が付着し過ぎると割れやすくなります。このドアは製品保証対象外です。霜の厚みが4分の1 (6mm) 以上になった場合は、霜取りを実施してください。

### LEDランプの交換

- 冷蔵庫の電源プラグを抜き取ります。冷蔵庫の電源がオフになっていることを確認します。
- ドアを開けます。透明のプラスチックカバーを取り外します。
- LEDランプが外れるまでランプを反時計回りに回します。
- ランプを外してから新しいランプとカバーを取り付けます。
- 電源に再接続します。

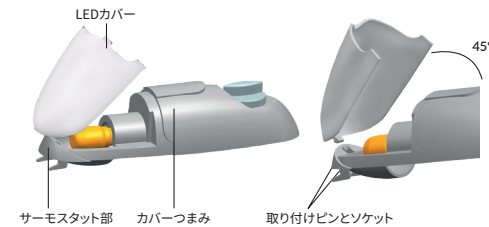


### LED保護カバーの取り外しと取り付け

ランプカバーのつまみをつかみ、約45度回転させます。サーモスタットからプラスチックカバーを取り外します。

### ランプカバーの取り付け

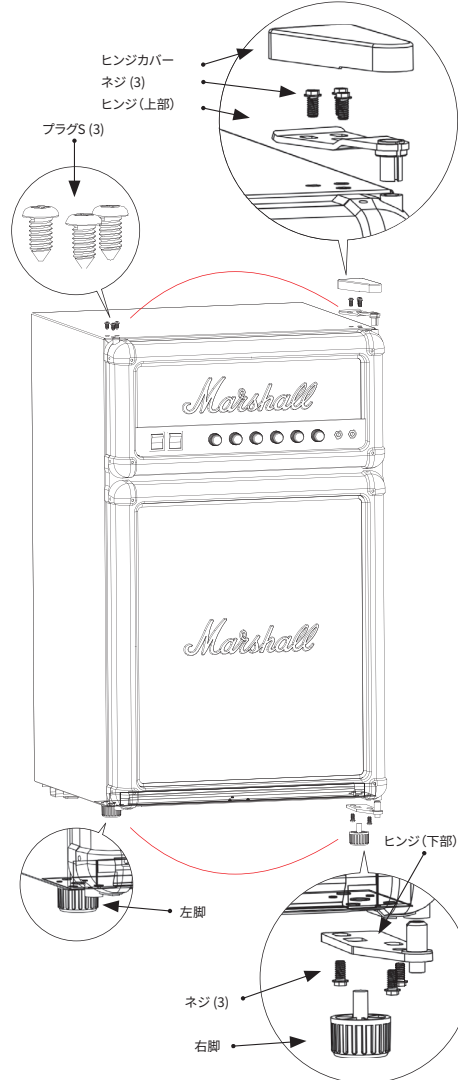
LEDカバーを約45度回転させた状態にして、取り付けピンをソケットに入れます。サーモスタットにプラスチックカバーを押し込みます。



## ドアの開閉方向の変更

本製品にはリバーシブルドアが採用されています。ドアの左右の開閉方向を選択可能です。ドアの開閉方向を変更するには、次の手順に従ってください。

- コンセントから電源プラグを抜き取り、冷蔵庫の内蔵物を全て取り除きます。
- ヒンジカバーを取り外し、ヒンジのネジを取り外します。上部ヒンジを取り外します。
- 支持脚を取り外し、下部ヒンジのネジを取り外します。
- 下部ヒンジの位置を冷蔵庫の反対側に変更し、ドアを下部ヒンジに合わせてネジと支持脚を取り付けます。
- プラスチックのプラグを取り外し、ドアを上部ヒンジに合わせます。上部ヒンジにネジを取り付け、ヒンジカバーをヒンジの上に取り付けます。
- 開口部にプラスチックのプラグを押し込みます。



## トラブルシューティング・ガイド

| 問題               | Possible cause/solution  |
|------------------|--|
| 製品が作動しない         | <ul style="list-style-type: none"> <li>機器の電源が投入されていない。</li> <li>プラグが接続されていない。</li> <li>ブレーカーが落ちていない、あるいはヒューズが飛んでいる。</li> <li>冷蔵庫の温度制御が0の位置に設定されている。</li> </ul>   |
| 電源が頻繁にオンとオフを繰り返す | <ul style="list-style-type: none"> <li>室温が通常よりも高い。</li> <li>冷蔵庫内に大量の食品が追加された。</li> <li>ドアを頻繁に開き過ぎている。</li> <li>ドアが完全に閉じられていない。</li> <li>温度制御が正しく設定されていない。</li> <li>ドアのパッキンの遮蔽が不十分である。</li> <li>冷蔵庫と壁面の間隔が不適切である。</li> </ul>                                    |
| 十分に冷えない          | <ul style="list-style-type: none"> <li>ドアが解放されたままになっている。</li> <li>冷蔵庫が壁や熱源に近すぎる。</li> <li>庫内に貯蔵された食品や飲料品が多すぎる。</li> <li>温度が正しく制御されていない。</li> </ul>   |
| 振動               | <ul style="list-style-type: none"> <li>冷蔵庫が水平でない。</li> </ul>   |
| 音が大きい            | <ul style="list-style-type: none"> <li>冷却液の流動により振動ノイズが発生する場合がありますが、これは正常です。</li> <li>サイクルが完了すると、毎回冷蔵庫内を流れる冷却液の流れにより発生する流動音が聞こえる場合があります。</li> <li>内壁の収縮と膨張により、パチッという音がする場合があります。</li> <li>冷蔵庫が水平でない。</li> <li>冷蔵庫が周辺の物に接触している。</li> <li>内部の棚板がずれている。</li> </ul> |
| ドアが完全に閉じない。      | <ul style="list-style-type: none"> <li>冷蔵庫が水平でない。</li> <li>パッキンが汚れているか、曲がっている。</li> <li>棚板や容器、バスケットがずれている。</li> </ul>  |
| 臭い               | <ul style="list-style-type: none"> <li>食品や飲料が適切に包まれていない。</li> <li>冷蔵庫をクリーニングする必要があります。</li> </ul>  |
| 背部壁面の霜           | <ul style="list-style-type: none"> <li>通常の使用時は、この霜は溶けて消滅します。ドアが頻繁に開閉される場合や、閉じられていない場合、この霜が顕著になる場合があります。霜取りが必要となる場合があります。</li> </ul>  |

この症状が継続する場合、あるいはトラブルシューティング・ガイドに記載されていない場合は、技師資格保持者に相談するか、弊社ウェブサイト ([www.marshall.com](http://www.marshall.com)) をご覧ください。

### 冷蔵庫の製品保証

お住まいの地域の製品保証と法令に関する情報は、ウェブサイト ([www.marshall.com](http://www.marshall.com)) をご覧ください。

製品保証は使用者に対して特定の法的権利を付与するものですが、このほかに使用者が他の権利を有することがあり、こうした他の権利は州や国ごとに異なります。地域によっては、黙示保証を制限したり、付帯的損害や間接的損害を除外したり制限したりすることを禁止していることもありますので、上記の制限または例外は、そうした地域には適用されません。

### 廃棄

EU地域内では、本製品を家庭のその他の廃棄物と一緒に廃棄してはなりません。管理がされない状況での廃棄物処理が環境や人間の健康に与える悪影響を阻止するため、本製品は責任を持ってリサイクルし、材料資源の継続可能な再利用を推進しましょう。

本製品の廃棄は、欧州連合の「電気・電子機器の廃棄に関する欧州議会及び理事会指令」の適用対象となります。

本製品のリサイクルに関する詳細情報は、お住まいの地域の自治体、地方の家庭廃棄物処理サービス、またはお買い上げの販売店にお問い合わせください。





**MARSHALL.COM**

M3340.004

Whilst the information contained herein is correct at the time of publication, due to its policy of constant improvement and development, JAM Industries reserves the right to alter specifications without prior notice. Images may not be exactly as shown. All trademarks are property of their respective owners. Marshall is a trademark of Marshall Amplification Plc. Permission granted.

© 2019 JAM Industries Ltd. All rights reserved. JAM Industries, 21000 Trans Canada Highway, Baie D'Urfé, QC, Canada.