

STANLEY®

Model: TLR-EC3211T



TV Mount Installation Guide

Thank you for choosing Stanley – the hardware of choice for Architects, Contractors, and Home Owners for its quality, performance and dependability.

Enclosed are your step-by-step instructions for an install made easy.

If you get stuck, give customer service a call at 1-855-816-6868
You can also reach us at contact@stanleymounts.com

www.stanleymounts.com



Caution: Please read the entire manual before proceeding
View warranty and disclaimer on page 14

Getting Started

Before we start, let's make sure we have the correct mount along with all the required tools and hardware to complete the installation.



The TV must be a Flat Panel TV between 32"-70" and weighs no more than 85lbs.



The wall the TV will be mounted on is either concrete or drywall with wood studs.



You have all of the following tools:



Drill



Screwdriver



Pencil



Level



Stud Finder



Tape Measure



Hammer



Wrench



Drillbit



3/16 Hex Key



Check out our free level app in the app store!

If you answer "Yes" to all the questions above then you are ready to begin the TV Mount installation!



Caution: This product contains small items that could be a choking hazard if swallowed.

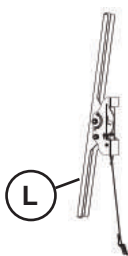
Parts & Hardware



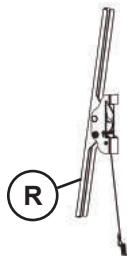
Caution: Before starting assembly, verify all parts are included and undamaged. If any parts are missing or damaged, do not return the damaged item to your dealer; contact Customer Service. Never use damaged parts or previously used parts!



Wall Plate



Left TV Bracket

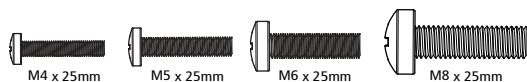


Right TV Bracket



C1

Tension Knob



M4 x 25mm

M5 x 25mm

M6 x 25mm

M8 x 25mm

A1 x4

A2 x4

A3 x4

A4 x4

TV Screws

For attaching TV Rails to TV



A5 x4

Spacers



A6 x4

Square Washers



B1 x4

Lag Bolts



B2 x4

Concrete Anchors



B3 x4

Washers

For attaching Wall Plate

Step 1: Attach Rails to TV

- 1 Check which screw size will fit in your TV. (A1,A2,A3, or A4)

- 2 Align brackets onto the back of the TV and install with the hardware.

Tools Required:



Screwdriver

1



M4 x 25mm

A1 x4

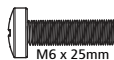
or



M5 x 25mm

A2 x4

or



M6 x 25mm

A3 x4

or



M8 x 25mm

A4 x4

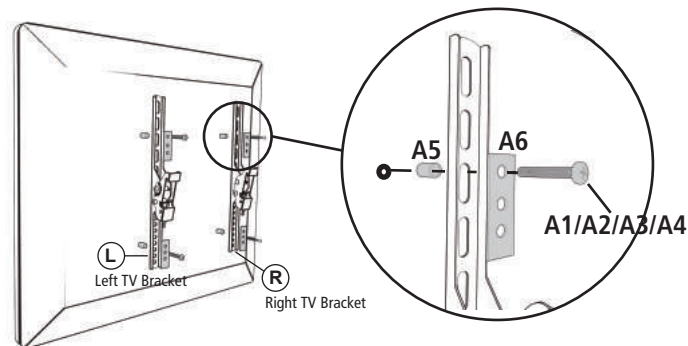
2



Caution: Hand tighten with screwdriver only, over tightening may damage the TV!



Do not use a power tool for this step!



Caution: Look for L and R labels on brackets to identify left and right brackets.



Caution: If you are unable to line up the hardware with the TV, please call: 1-855-816-6868

Step 2A: Install Wall Plate on Drywall with Wood Stud

Note: For Concrete skip to Step 2B

- 1 Use the stud finder to locate 2 studs, and then draw a vertical line on the center of each stud.
- 2 Level wall plate and align at center of studs. Make 4 pencil marks to indicate where to drill.

Tools Required:



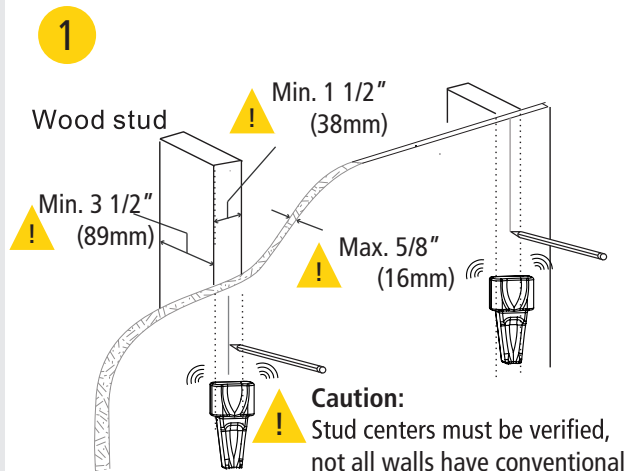
Pencil



Level



Stud Finder



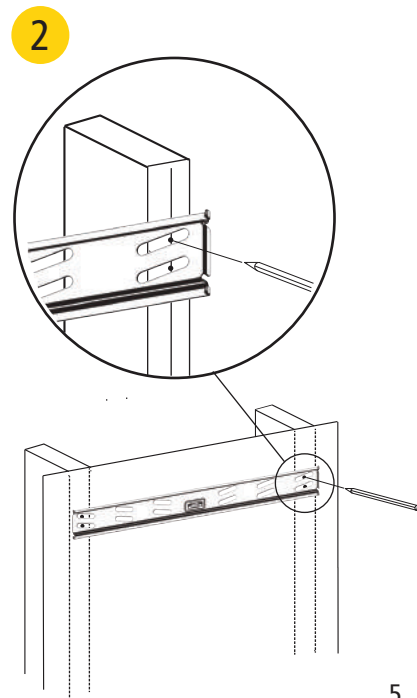
Caution:

Stud centers must be verified, not all walls have conventional 16" (406mm) or 24" (610mm) standard stud spacing.



Caution:

The minimum size of the wood stud must be 1 1/2" x 3 1/2" (38x 89mm)
The thickness of dry wall must not exceed 5/8" (16mm).



STANLEY

- 3 Remove the wall plate and drill the pilot holes with a 3/16" drill bit
- 4 Align the wall plate with the pilot holes and insert 4 bolts through the washer in the pilot holes and tighten.
- 5 Finalize level of wall plate before tightening.

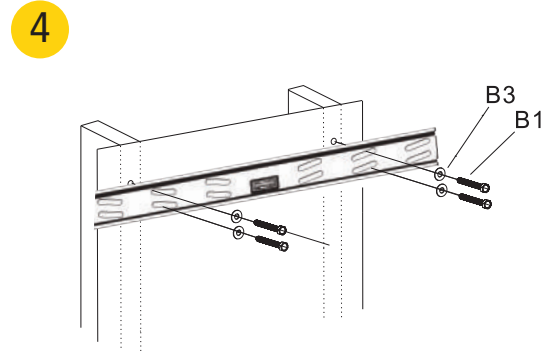
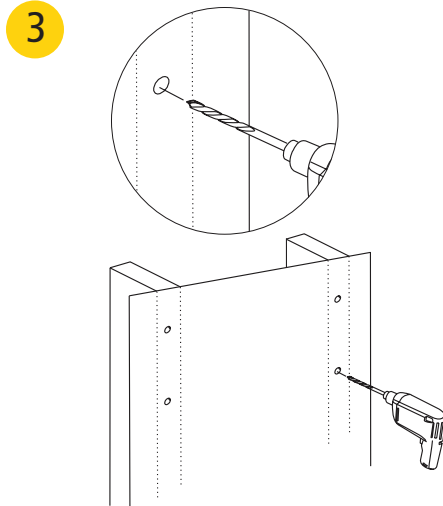
Tools Required:



Drill



3/16" Drill Bit



- 1 Level the wall plate and make 4 marks with pencil to show where to drill the pilot holes.

- 2 Remove the wall plate and drill the pilot holes with a 3/8" drill bit.

Tools Required:



Pencil



Level

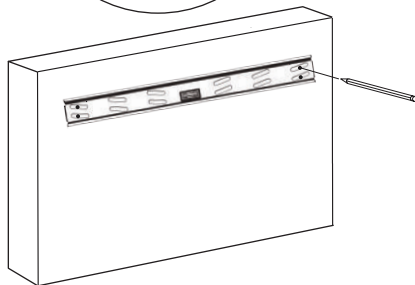
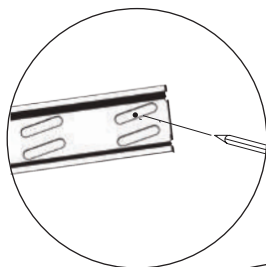


Drill

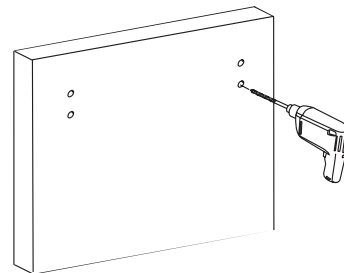
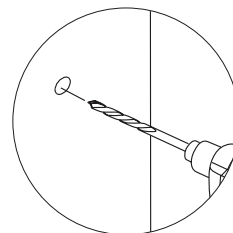


3/8" Drill Bit

1



2



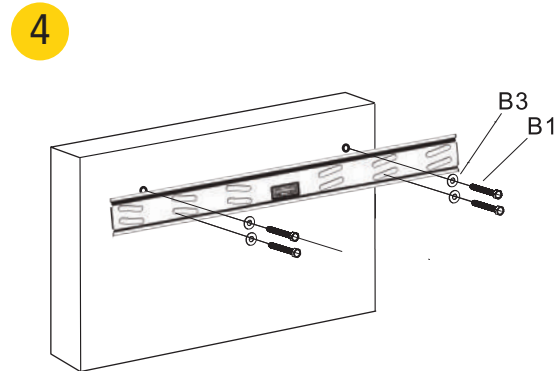
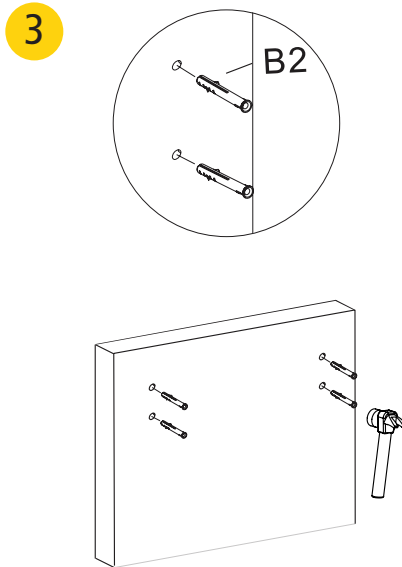
Caution: The minimum depth of the concrete must be 8".
Do not drill pilot holes into the mortar between the concrete.

- 3 Insert the anchors into the 4 pilot holes. Tap with hammer
- 4 Align wall plate with pilot holes and anchors. Insert 4 bolts through washers and anchors then tighten with wrench.
- 5 Finalize level of wall plate before tightening.

Tools Required:



Hammer Wrench



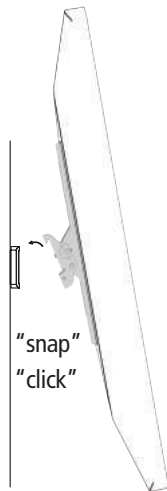
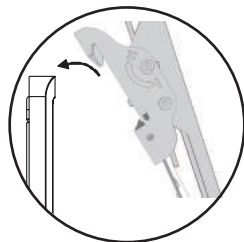
1 To hang your TV, clip the TV Rails to the mounted wall plate.

2 After the TV is hanging properly on the wall mount, press on the bottom of the TV to lock it in place.



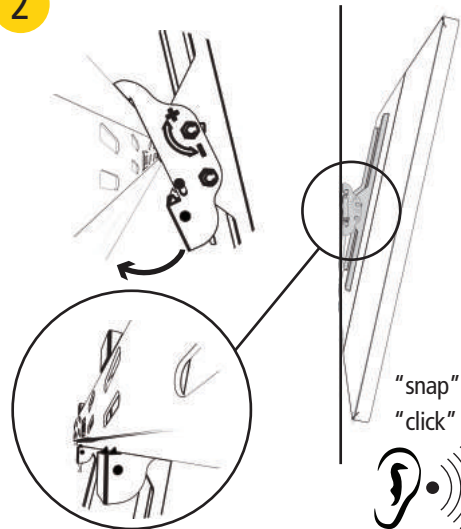
Warning: TV should always be lifted by 2 people.

1



"snap"
"click"

2

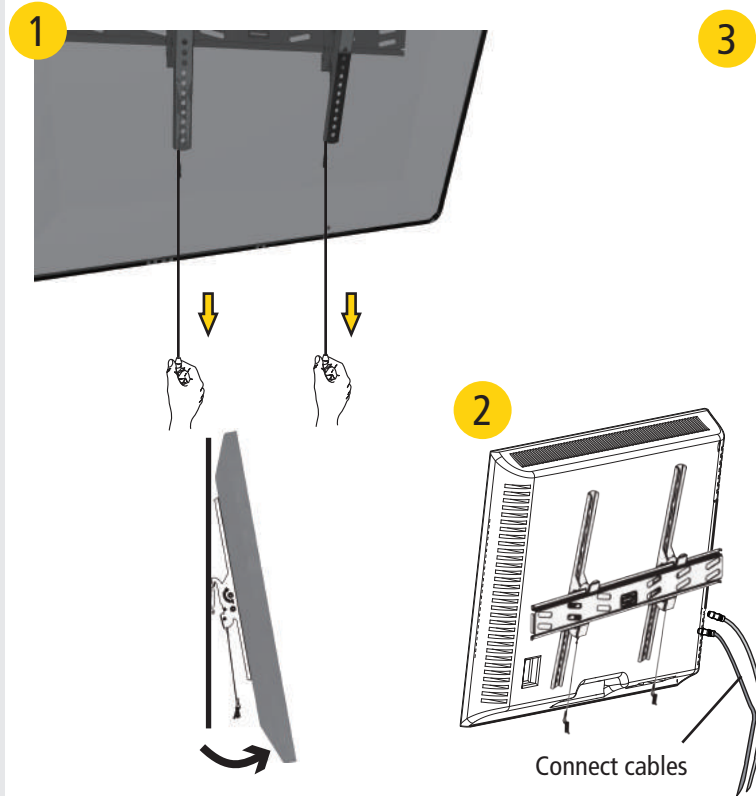


"snap"
"click"



Listen for a "Click" to ensure mount is locked in place

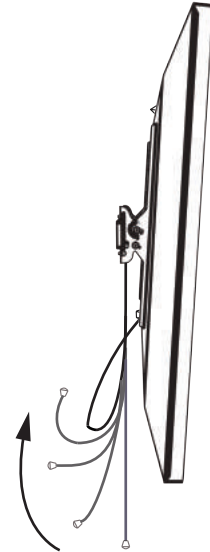
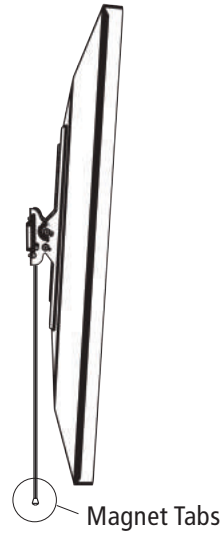
- 1 Pull the release cords down while gently pulling the bottom of the TV from the wall.
- 2 Connect the cables.
- 3 Push the bottom of the TV body onto wall plate till you hear a "Click"



! Listen for a "Click" to ensure mount is locked in place.

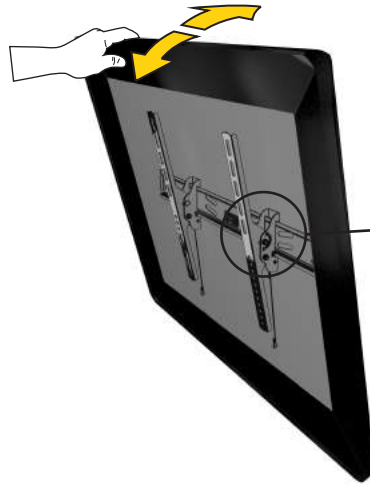
- 1 Attach the magnet tabs hanging from the TV Mount to the frame of the TV Mount.

1

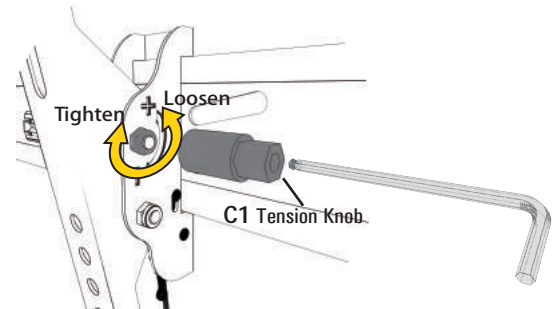


- 1 Tilt TV up or down to achieve the best angle of view. No tools required.
- 2 Your Stanley TV mount has been preset at a perfect tension to easily tilt most TVs. If you need to adjust the tilt tension, use the tension knob **C1** with a 3/16 Hex key.

1



2



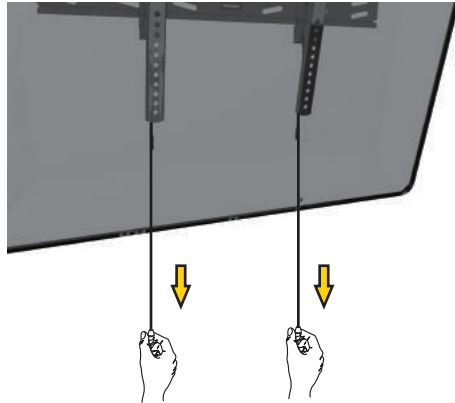
- 1 Disconnect all cables from the TV.
- 2 Pull both release cords down to unlock the TV from the wall plate.
- 3 Pull bottom of TV from wall, allow enough space to lift TV up and off wall plate.

To rehang TV, follow procedures on STEP 3 of PAGE 9.

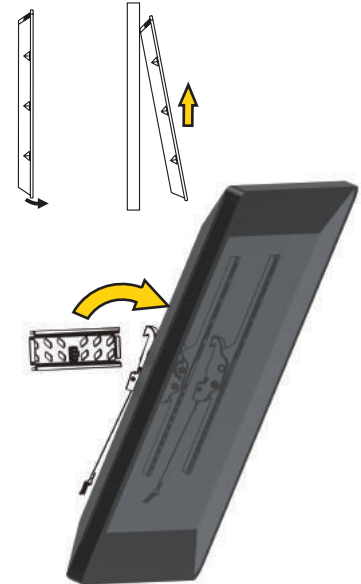


Warning: TV should always be lifted by 2 people.

2



3



SUNCRAFT SOLUTIONS INC. LIMITED WARRANTY

SUNCRAFT SOLUTIONS, INC. warrants its products to be free of defects in material and workmanship for the product's Warranty Period. The Warranty Period commences on the original purchase date of the product and the sales receipt serves as proof of purchase.

All SUNCRAFT SOLUTIONS, INC. products are covered by a limited product warranty of three (3) years for all metal mounts, fixtures and non electrical items.

This Limited Warranty extends only to the original purchaser and is non-transferable. It is automatically void if your SUNCRAFT SOLUTIONS, INC. product is modified or altered in any way, improperly or incompletely installed, usage of non-supplied hardware and used in a non conventional method, exceeding the weight capacity or size restrictions. SUNCRAFT SOLUTIONS, INC. products are intended for indoor applications for consumer or commercial use. Any outdoor application, subject to high humidity, water vapor or exposure to elements therefore voids this Limited Warranty. The Limited Warranty for all mounts is void if the mount is transferred from one location to another. To the maximum extent permitted by applicable law, SUNCRAFT SOLUTIONS, INC. disclaims any other warranties, express or implied, including warranties of fitness

for a particular purpose and warranties of merchantability. SUNCRAFT SOLUTIONS, INC. will not be liable for any damages whatsoever arising out of the use or inability to use its products, even if SUNCRAFT SOLUTIONS, INC. has been advised of the possibility of such damages. To the maximum extent permitted by applicable law, SUNCRAFT SOLUTIONS, INC. disclaims any responsibility for incidental or consequential injuries, damages to persons, properties and other items.

For warranty claims made during the stated warranty period, SUNCRAFT SOLUTIONS, INC. will replace any defective product part free of charge. Contact SUNCRAFT SOLUTIONS, INC. at 1-855-816-6868 to make a warranty claim or e-mail warranty@suncraftsolutions.com. Proof of warranty is required. This Limited Warranty does not cover the costs of removing and replacing defective parts from your SUNCRAFT SOLUTIONS, INC. product. SUNCRAFT SOLUTIONS, INC. assumes no liability for any installation, adjustment or other costs.

General Disclaimer

Disclaimer – Suncraft Solutions Inc. has extended every effort to ensure the accuracy and completeness of this manual. However, Suncraft Solutions Inc. does not claim that the information covers all installation, situational or operational variables. The information contained in this document is subject to change without notice or obligation of notification of any kind. Regarding the information contained herein, Suncraft Solutions Inc. makes no representation of warranty, expressed or implied, and assumes no responsibility for accuracy, sufficiency, or completeness of the information contained in this document.

WARNING: FAILURE TO READ, THOROUGHLY UNDERSTAND, AND FOLLOW ALL INSTRUCTIONS CAN RESULT IN SERIOUS PERSONAL INJURY, DAMAGE TO PERSONAL PROPERTY, OR VOIDING OF LIMITED WARRANTY!

It is the responsibility of the installer of this product to ensure all components are properly assembled and installed using the instructions provided. If you do not understand these instructions or have any questions or concerns, please contact customer service at 1-855-816-6868 or service@suncraftsolutions.com. Do not attempt to install or assemble this product if the product or hardware

is damaged or missing. In the event that replacement parts or hardware are needed, please contact Customer Service at 1-855-816-6868 or service@suncraftsolutions.com. International customers needing assistance should contact the Dealer from which they purchased the product.

The included hardware is designed for use on vertical walls constructed of wood studs or solid concrete. A wood stud wall is defined as consisting of a minimum of 2x4 wooden studs (1.5" wide by 3.5" deep 51 x 102 mm) with a maximum of 5/8" (16 mm) drywall. The included hardware is not designed for use with metal studs or cinderblock walls. If you are uncertain or unknowledgeable about the construction of your wall, then please consult a qualified contractor or professional installer for assistance. The wall you are mounting to must support 4 times the weight of the total load. The load is defined as the TV and Mount along with anything else suspended from the mount. If not, then the surface must be reinforced to meet this standard. The installer is responsible for verifying that the wall structure and hardware used in any installation method will safely support the total load.