

### Operation

**Step 1:** Mount Solar Power Panel near your Stealth Cam camera through one of the methods outlined below.

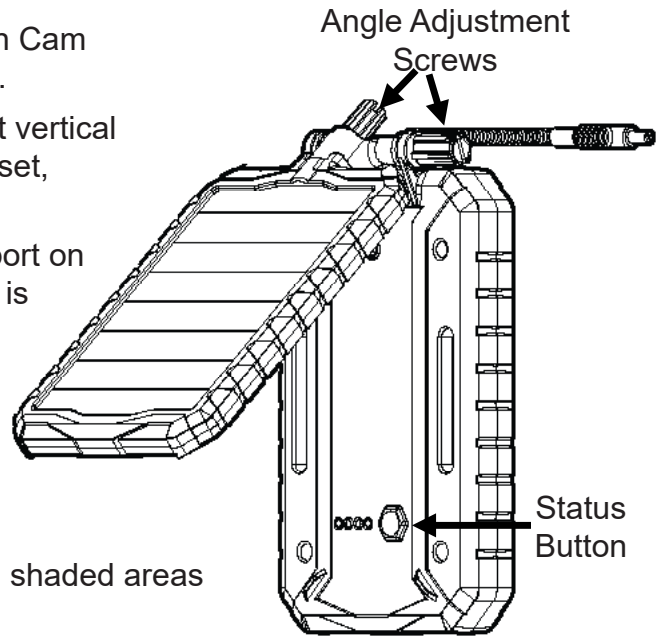
**Step 2:** Loosen two angle adjustment screws to set vertical and horizontal angle of solar panel. When angle is set, tighten screws so they are hand-tight.

**Step 3:** Plug 12V DC adapter into external power port on your Stealth Cam camera. The external power port is typically located on the bottom of your camera.

**Step 4:** Press the Status Button on the inside of the unit at any time to display battery charge level.

### TIPS:

- Solar panel needs to be in direct sunlight (avoid shaded areas beneath trees or other obstructions).
- Angle solar panel to be perpendicular to the sun for the longest duration possible.



### Mounting

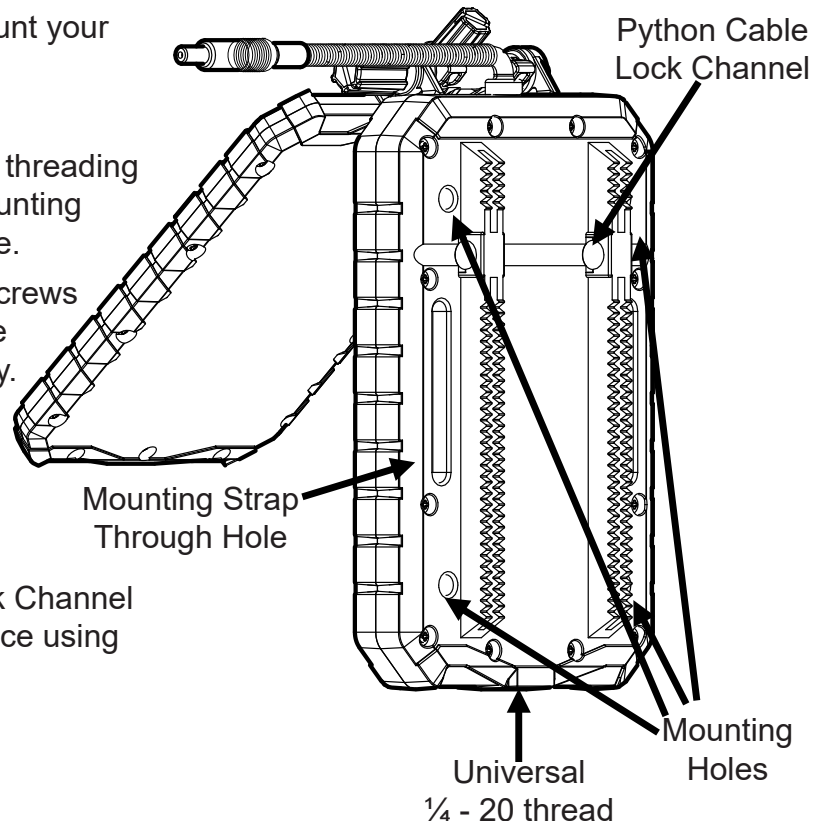
Use one of the following methods to mount your Solar Power Panel.

**Method 1:** Mount Solar Power Panel by threading the included mounting strap through Mounting Strap Through Holes to a vertical surface.

**Method 2:** Use the included mounting screws to mount Power Panel to any flat surface through Mounting Holes included in body. Do not overtighten screws.

**Method 3:** Use 1/4 - 20 thread on bottom of panel to mount Power Panel.

**NOTE:** Use provided Python Cable Lock Channel to secure your Power Panel to any surface using a Python Cable (cable not included).



**Do:**

- Place solar panel in direct sunlight
- Angle solar panel to be perpendicular to sunlight.
- Place facing south.
- Position the solar panel to be perpendicular to the sun during peak sunlight hours (11:00 AM - 2:00 PM).

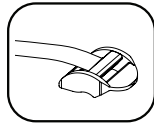
**Don't:**

- Place in a shaded area.
- Place away from the sun.
- Place under your feeder.
- Allow panel to get excessively dirty.
- Place where an animal can interfere with operation.

**Included Accessories**



4pcs Mounting  
Screws



3 meter  
Nylon Strap

**FCC Compliance**

12V Solar Power Panel  
STC - SOLP  
Input: N/A / Output: 7.4V 2A



GSM, LLC

STC - SOLP



**FCC Statement**

This device complies with part 15 of the FCC rules. Operation is subject to the following two conditions: (1) this device may not cause harmful interference, and (2) this device must accept any interference received, including interference that may cause undesired operation. The digital apparatus complies with Canadian CAN ICES-3 (B)/NMB-3(B)

LIMITED WARRANTY GSM Outdoors warrants this product to the original purchaser to be free from defects in materials and workmanship, under normal use and conditions for a period of One Year from the date of the original purchase. Under this warranty, this unit will be replaced or repaired at our option, without charge for parts or labor, excluding batteries, for this period

This warranty is void if any of the following occur: 1. The warranty card was not sent in at the time of purchase 2. The unit is not owned by the original purchaser at the time of the warranty claim 3. The unit has been tampered with, opened or punctured 4. The unit has been physically abused

This shall be the exclusive written warranty of the original purchaser and neither this warranty or any other warranty, expressed or implied, shall extend beyond the 12-month period listed above. In no event shall HME's be liable for consequential damages, consequential property damage, or consequential personal injury. (Some states do not allow limitations on implied warranties or exclusions of consequential damages, so that these restrictions may not apply to you). This warranty gives you specific legal rights, and you may have other rights, which vary from state to state.

TOLL-FREE CUSTOMER SUPPORT (877) 269-8490

**Contact Us**

**GSM, LLC**

Phone: 1.877.269.8490

P.O. Box 535189

Website: [www.gsmoutdoors.com](http://www.gsmoutdoors.com)

Grand Prairie, TX 75053-9504