



6.5 CUP FOOD PROCESSOR

PROCESADOR DE ALIMENTOS 1.5 L / PROCESSEUR D'ALIMENTS 1.5 L

MODEL NO.: FP-544S



Operating and Safety Instructions

FOR INDOOR HOUSEHOLD USE ONLY

Instrucciones de Operación y Seguridad

SOLO PARA USO DOMESTICO

Consignes de Sécurité et de Fonctionnement

POUR USAGE DOMESTIQUE INTÉRIEUR SEULEMENT

IMPORTANT SAFEGUARDS

When using this or any other electrical appliance, always follow these basic safety precautions, especially when children are present.



READ ALL INSTRUCTIONS BEFORE USE!

⚠ WARNING - To reduce the risk of fire, electric shock, serious personal injury and property damage please note the following:

- This product is not intended for use by children. Keep the product out of the reach of children and pets. Extra caution is necessary when using this appliance near children.
- Always ensure the product is unplugged from the electrical outlet and allowed to cool before assembling, disassembling, relocating, or cleaning it.
- Do not leave the product unattended while it is in use. Always unplug the product from the electrical outlet when not in use.
- Do not immerse the Base, Power Cord, or Plug of this product in or expose the Power Cord or Plug to water or other liquids.
- Do not touch hot surfaces. Use handles or knobs when handling product. Use protective oven mitts or gloves when removing the Lid or handling hot containers to avoid burns or personal injury.
- Do not use attachments not recommended or sold by the product manufacturer. Attachments, when furnished, may become hot during use. Allow any attachments to cool before handling them.
- Do not place on or near a hot gas or electric burner, in a heated oven, or other heated surfaces.
- Use extreme caution when moving an appliance containing hot food, water, or other liquids.
- Use the product in a well-ventilated area. Keep at least 4-6 inches of space on all sides of the product to allow adequate air circulation.
- Use appliance on a table or flat surface.
- Keep the product away from curtains, wall coverings, clothing, dishtowels, or other flammable materials.
- Do not plug or unplug the product from the electrical outlet with a wet hand.
- This product is intended solely for non-commercial, non-industrial, household use in cooking of food for human consumption; do not use the product outdoors or for any other purpose.
- Do not operate the product empty.
- Do not let cord hang over edge of table or counter where it may be tripped over or pulled. Do not allow cord to touch hot surfaces.
- Do not operate the product if it has a damaged or cut Power Cord or plug, if wires are exposed, if it malfunctions, if it is dropped or damaged, or if the Motor Housing is dropped in or exposed to water.

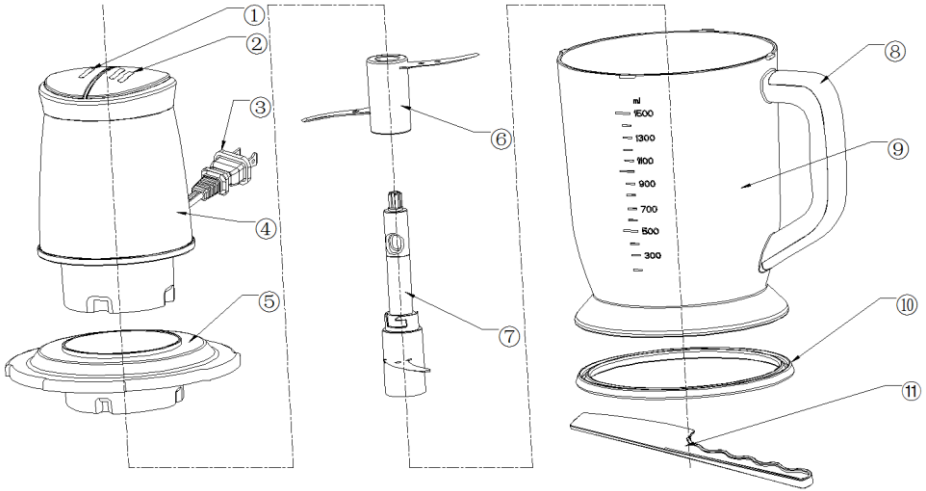
- This product has no user-serviceable parts. Do not attempt to examine or repair this product yourself. Please review the Warranty Policy on Page 9.
- Do not put any stress on the power cord where it connects to the product, as the power cord could fray and break.

SPECIAL INSTRUCTIONS:

- Avoid contact with moving parts. Keep hair, hands, fingers, or any other body part from coming into contact with moving parts while the appliance is operating.
- Keep utensils away from the Stainless-Steel Blades to reduce the risk of severe injury to persons or damage to the food chopper. Only use a scraper when the food chopper is unplugged.
- Be certain the Lid is securely locked in place before operating appliance. Do not attempt to defeat the cover interlock mechanism.
- Always assemble the product completely before plugging it into an electrical outlet.
- Always ensure the product is unplugged from the electrical outlet and all the parts stopped before assembling, disassembling, relocating or cleaning it.
- A short power supply cord is provided to reduce the risk of becoming entangled in or tripping over a longer cord. An extension cord is not recommended for use with this product, but if one must be used:
 - The marked electrical rating must be at least as great as that of the product.
 - If the product is of a 3-prong grounding type, the extension cord must be a grounding-type 3-wire cord.
 - Arrange the extension cord so that it will not drape over the countertop or tabletop where it can be tripped over or pulled.
 - If this product is equipped with a polarized plug one blade will be wider than the other blade; this is a safety feature. The plug will fit into a polarized outlet only one way. If you are unable to insert the plug into the electrical outlet, try reversing the plug. If the plug still does not fit, contact a qualified electrician. Never use the plug with an extension cord unless you can fully insert the plug into the extension cord. Do not alter the plug. Do not attempt to defeat the safety purpose of the polarized plug.

**SAVE THESE INSTRUCTIONS
FOR FUTURE REFERENCE**

Parts:



Item	Part	Function
1	I level Button	Low Pulse processes softer foods
2	II level Button	High Pulse processes tougher foods
4	Motor unit	Power source of appliance
5	Lid	safety protection during operation
6	Side blade unit	Processes food
7	Main blade unit	Processes food
9	Work Bowl	Holding and serving contents
10	Non-Slip Ring	Keeps unit stable during operation
11	Scraper	Use to remove contents from work bowl

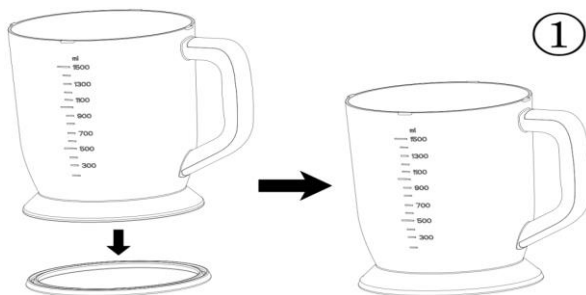
Before First Use

IMPORTANT: Please check all packaging material carefully before discarding as there may be accessory parts contained within the packaging material.

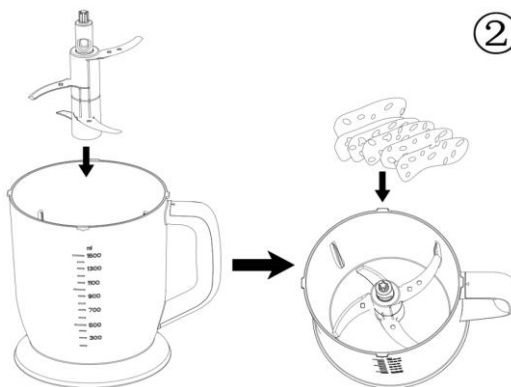
WARNING: Do not place the motor base in the dishwasher.

1. Wash lid, cup, and blades, with warm soapy water. Blades are very sharp. Handle carefully. Rinse and dry before assembling.
2. Put the anti-slip mat to the flat surface, then assemble the chopper bowl on it. Avoid knocking it by the other thing and keep it way from the children.
3. Assembling

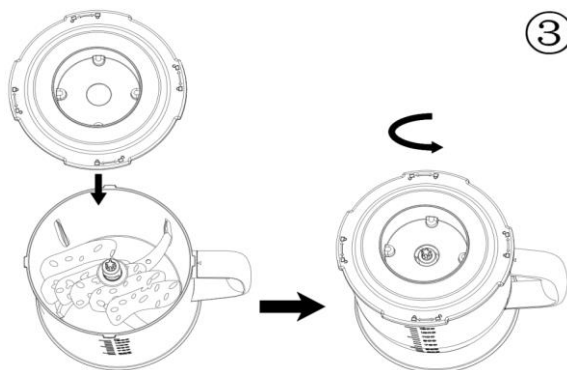
a. Place the non-slip ring around the base of the work bowl. (Fig 1)



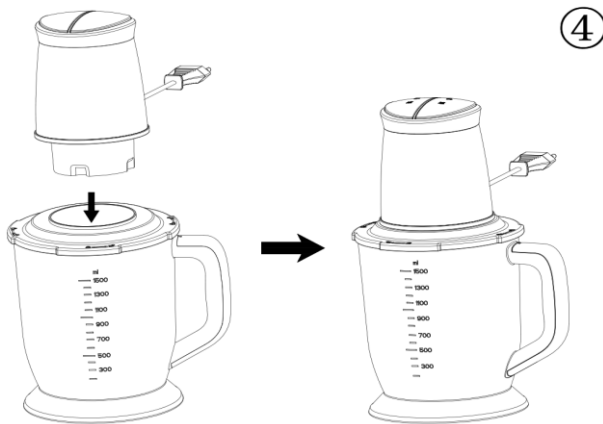
b. Attach the blade assembly onto the bowl shaft, then place food. (Fig 2)



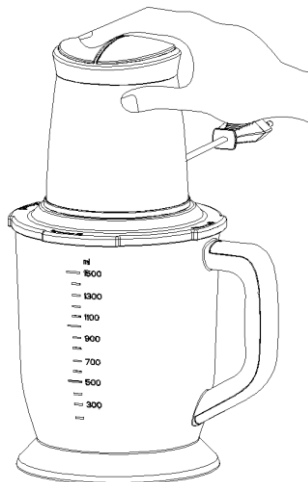
c. Then place and lock the lid. (Fig 3)



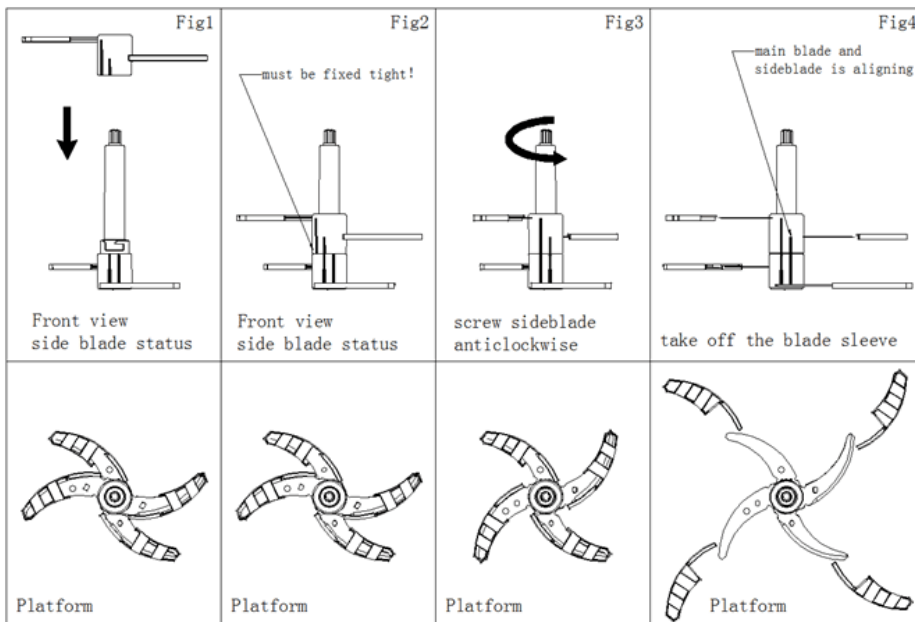
- d. Place the motor onto the secured lid. (Fig 4)



- e. Once assembled, plug in the power cord. Then press and hold the 'I' or 'II' pulse buttons to process foods. Let go of the buttons to stop processing.



- f. How to assemble/disassemble the blade assembly.
- i. Assemble: Place the side blade onto the main blade shaft (Fig 1 and Fig 2) and screw the side blade counterclockwise (Fig 3), then remove the blade protective sleeves.
 - ii. Disassemble: Remove the side blade by turning it clockwise from main blade.



NOTE:

- 1) There are 2 anti-slip lines on main/side blade pieces. For safe and correct installation the 2 lines must align.
- 2) If the lines aren't aligned, the side blade may be loose and touch the bowl or lid making it unsafe to use, resulting in possible injury.
- 3) There is a safety lock on the main unit. During operation, please lay the appliance on a flat surface and press either "I" or "II" buttons firmly to start the operation.

Using Your Food Processor:

Attention: First use may cause a slight odor or small smoking upon heating, it is normal. This is a result of the heating element chemical reaction. It quickly goes away.

WARNING: Always unplug the product from the electrical outlet when it is not in use or will be left unattended. Avoid contact with moving parts. Do not overfill the work bowl

or operate when it is empty. Stainless Steel Blades should be handled with extreme care when removing, assembling, cleaning, or storing.

1. Make sure the blade is positioned correctly on the center shaft, handling with care.
2. Place food in the work bowl without overfilling the appliance. We recommend pre-chopping any large foods to make processing easier.
3. Secure the lid on the work bowl by turning it counterclockwise to lock.
4. Plug the appliance into an electrical outlet. Press the LOW 'I' or HIGH 'II' pulse button to process. To turn off, release the button. Do not continuously run the appliance for more than 30 seconds.
5. Remove Motor Unit by lifting it off the secured lid. Unlock the lid from work bowl from the base by turning clockwise. Do not remove the lid until the blades have completely stopped moving.
6. When all desired food has been processed, disconnect appliance from the electrical outlet.
7. Carefully remove blade assembly and transfer your processed food using the included spatula.
8. If your processed food sticks to the chopper bowl, please remove pressure from the button and unplug from power. Use a spatula to scrape off the sides of the chopper bowl and start the processing again.
9. This item cannot be used for grinding beans, rice, or frozen meat or anything that is too hard or has too much liquid as this could damage the chopper.
10. If the food processor is shaking, it is because the food is not evenly placed. Unplug from wall and re-position the food evenly and begin the process again.

Processing Tips:


- Cut vegetables into 1-inch chunks before processing for uniform consistency
- Puree cooked vegetables or fruits for baby food or as bases for soups and sauces.
- Tear bread into pieces then process to make breadcrumbs. Break crackers or cookies into pieces and process into crumbs for pie crusts.
- Chop nuts; mince parsley, basil, chives, and garlic.

Cleaning Your Food Processor:

WARNING: Always unplug the unit and allow it to cool before cleaning or storing it.

- Always clean your Food Processor after each use.
- The Lid, Cup, and Blade can be washed with a soft sponge under warm water and mild detergent or in a dishwasher.
- Motor can be cleaned with a damp cloth. NEVER IMMERSER THE MOTOR IN WATER OR PLACE IN DISHWASHER.
- Do not use abrasive cleaners
- Reassemble the product before storing. Store your Food Processor in a cool dry place.

LIMITED WARRANTY


 Write down the following information about your appliance to better help you obtain assistance or service if you ever need it.

CUSTOMER RECORD

Date of Purchase _____ Store/Dealer _____


Model/Item No: _____


THIS WARRANTY APPLIES TO PRODUCTS PURCHASED AND USED IN THE U.S. ONLY. This is the only express warranty for this product and is in lieu of any other warranty or condition. This product is warranted to be free from defects in material and workmanship for a period of one (1) year from the date of original purchase. During this period, your exclusive remedy is repair or replacement of this product, at our option; however, you are responsible for all costs associated with returning the product to us and our returning a product or component under this warranty to you. If the product or component is no longer available, we will replace with a similar one of equal or greater value. This warranty does not cover glass, filters, wear from normal use, use not in conformity with the printed directions, or damage to the product resulting from accident, alteration, abuse, or misuse.


 **THIS WARRANTY EXTENDS ONLY TO THE ORIGINAL CONSUMER PURCHASER. KEEP THE ORIGINAL SALES RECEIPT, AS PROOF OF PURCHASE IS REQUIRED TO MAKE A WARRANTY CLAIM.**


This warranty is void if the product is used for other than single-family household use or subjected to any voltage and waveform other than what is specified on the rating label (E.G., 120V~60Hz). We exclude all claims for special, incidental, and consequential damages caused by breach of express or implied warranty. All liability is limited to the amount of the purchase price. Every implied warranty, including any statutory warranty or condition of merchantability or fitness for a particular purpose, is disclaimed except to the extent prohibited by law, in which case such warranty or condition is limited to the duration of this written warranty. This warranty gives you specific legal rights. You may have other legal rights that vary depending on where you live. Some states do not allow limitations on implied warranties or special, incidental, or consequential damages, so the foregoing limitations may not apply to you. To make a warranty claim do not return this appliance to the store.

TO OBTAIN WARRANTY SERVICE AND/OR TROUBLESHOOTING INFORMATION:

 Call Customer Service at 1-888-903-0060 in the U.S.

 **Monday through Friday: 9:00am – 5:00pm PST.**

 Email at info@brentwoodus.com

 Go online at www.brentwoodus.com

PRECAUCIONES IMPORTANTES

Al usar este o cualquier otro electrodoméstico, siga las precauciones básicas de seguridad, especialmente cuando niños están presentes.



LEA TODAS LAS INSTRUCCIONES ANTES DE USAR

⚠️ ADVERTENCIA-Para reducir el riesgo de incendio, descarga eléctrica, lesiones personales graves y daños a la propiedad, por favor tenga en cuenta lo siguiente:

- Este producto no está destinado para su uso por los niños. Mantenga el producto fuera del alcance de los niños y las mascotas. Precaución adicional es necesario cuando se utiliza este aparato cerca de niños.
- Asegúrese siempre de que el producto está desenchufado de la toma de corriente y se deja enfriar antes de montar, desmontar, trasladar o limpiar.
- No deje el producto desatendido mientras está en uso. Siempre desenchufe el producto de la toma de corriente cuando no esté en uso.
- No sumerja la base, el cable de alimentación o el enchufe de este producto ni exponga el cable o el enchufe al agua u otros líquidos.
- No toque las superficies calientes. Use las asas o las perillas al manipular el producto. Use guantes protectores o guantes de horno al retirar la tapa o el manejo de contenedores calientes para evitar quemaduras o lesiones personales.
- Tome las debidas precauciones para evitar quemaduras, incendios o daños personales o materiales como este aparato genera calor y vapor de agua durante el uso.
- No utilice accesorios no recomendados o vendidos por el fabricante del producto. Adjuntos, cuando amueblada, pueden calentarse durante el uso. Permita que los productos s que se enfríen antes de manipularlos.
- No coloque electrodoméstico sobre o cerca de una hornilla de gas o eléctrica, en un horno caliente, u otras superficies calientes.
- Tenga mucho cuidado cuando mueva un aparato que contiene alimentos, agua u otros líquidos.
- Utilice el producto en un área bien ventilada. Mantenga por lo menos 4-6 pulgadas de espacio en todos los lados del producto para permitir la circulación de aire adecuada.
- Utilice el aparato sobre una mesa o superficie plana.
- Mantenga el producto lejos de cortinas, revestimientos de paredes, ropa, paños de cocina, u otros materiales inflamables.
- No enchufe ni desenchufe el producto de la toma de corriente con las manos mojadas.
- Este producto está destinado exclusivamente para el uso no comercial, no industrial, hogar de cocción de los alimentos para el consumo humano, no use el producto en exteriores o para cualquier otro propósito. No utilice el producto vacío.
- No permita que el cable cuelgue del borde de la mesa o mostrador donde se puede tropezar con él ni tirar. No permita que el cable toque superficies calientes.
- No utilice el producto si tiene un cable de alimentación dañado o cortado o el enchufe, si los cables están expuestos, en caso de mal funcionamiento, si se ha caído o dañado, o si la armadura del motor se ha caído o este expuestos al agua.
- No trate de examinar o reparar este producto usted mismo. Por favor lea la Póliza de Garantía en la Pagina 9.

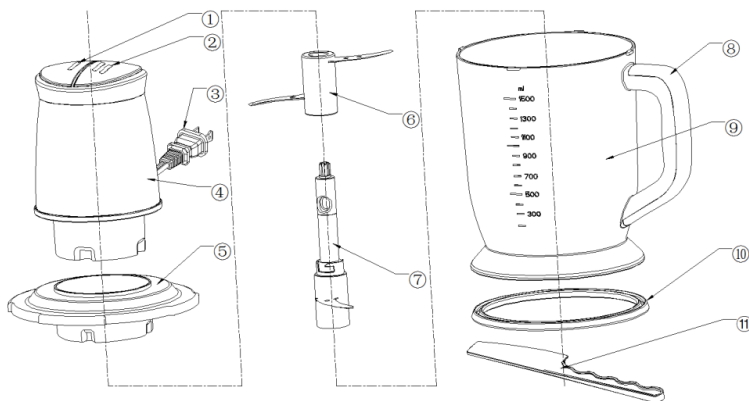
- No ponga presión sobre el cable de alimentación que se conecta al producto, ya que el cable de alimentación podría desgastarse y se rompa.

INSTRUCCIONES ESPECIALES:

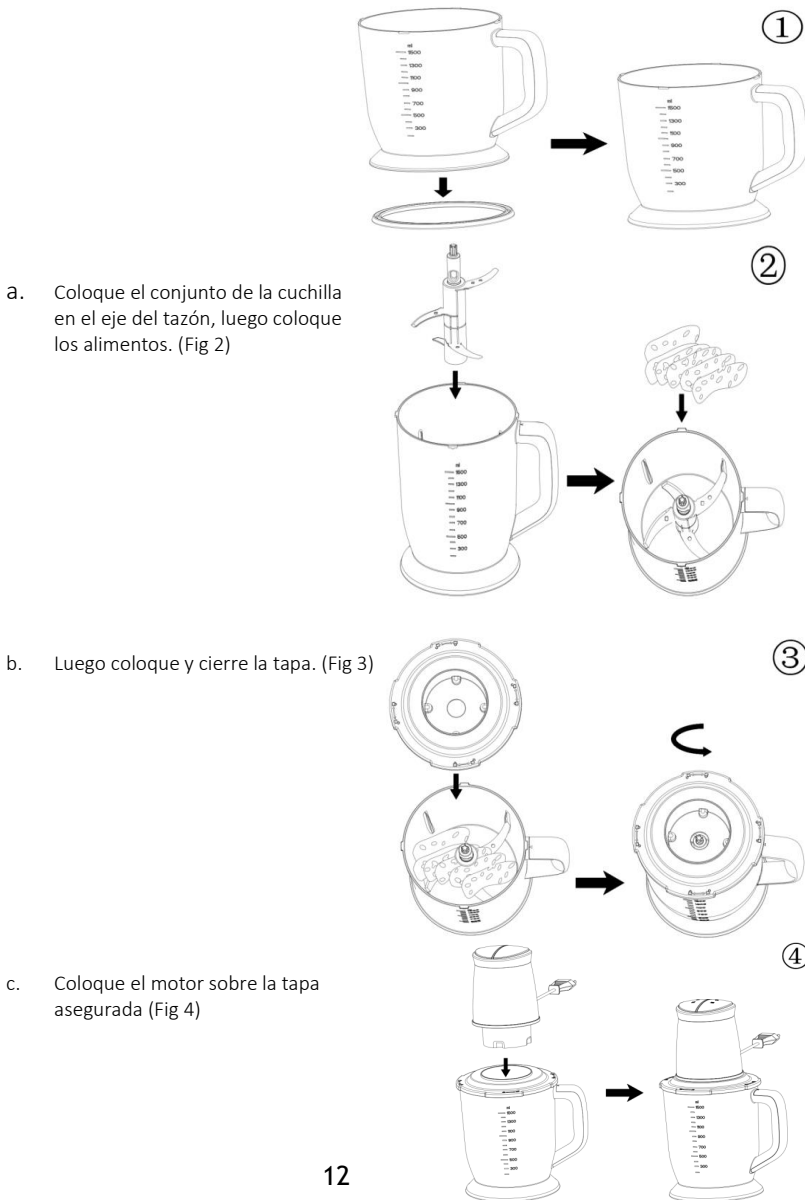
- Evite el contacto con partes móviles. Mantenga el cabello, las manos, los dedos o cualquier otra parte del cuerpo entre en contacto con las piezas en movimiento mientras el aparato está en funcionamiento.
- Mantenga los utensilios alejados de las cuchillas de acero inoxidable para reducir el riesgo de lesiones graves a personas o daños a la máquina de picar alimentos. Un raspador se puede utilizar cuando la máquina de picar alimentos no se está ejecutando.
- Asegúrese de que la tapa esté bien cerrada en su lugar antes de operar el aparato. No trate de anular el mecanismo de bloqueo de la cubierta.
- Monte siempre el producto por completo antes de enchufarlo a una toma eléctrica.
- Asegúrese siempre de que el producto esté desenchufado de la toma de corriente eléctrica y todas las partes se detuvo antes de montar, desmontar, trasladar o limpiarlo.
- Un cable de suministro eléctrico corto para reducir el riesgo de enredarse o tropezarse con un cable más largo. Un cable de extensión no se recomienda para su uso con este producto, pero si se debe utilizar:
 - La potencia eléctrica marcada debe ser, como mínimo, igual a la del producto.
 - Si el producto es de un tipo de conexión a tierra de 3 puntas, el cable de extensión debe ser un cable de conexión a tierra de 3 hilos.
 - Coloque el cable de extensión de manera que no se extienda sobre la encimera o sobre la mesa donde se pueda tropezar.
 - Si el aparato está equipado con un enchufe polarizado (una hoja es más ancha que la otra hoja) para reducir el riesgo de descarga eléctrica. Esta es una característica de seguridad. El enchufe encajará en un tomacorriente polarizado sólo de una manera. Si no puede insertar el enchufe en la toma de corriente, intente invertir el enchufe. Si el enchufe sigue sin encajar, póngase en contacto con un electricista cualificado. Nunca utilice el enchufe con un cable de extensión a menos que pueda insertarlo completamente en el cable de extensión. No altere el tapón. No intente anular el propósito de seguridad del enchufe polarizado.

— GUARDE ESTAS INSTRUCCIONES
— COMO REFERENCIA

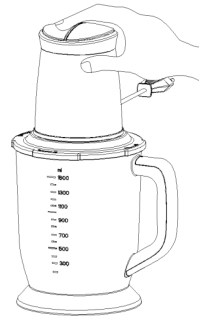
Partes:



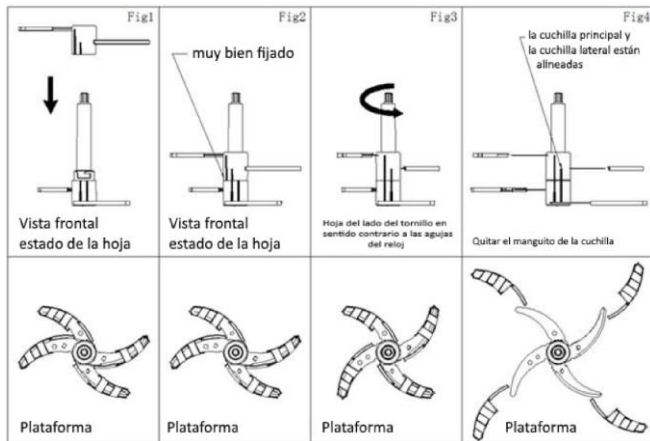
Item	Part	Function
1	I Botón de Nivel	Pulso Bajo Procesa Alimentos Más Blandos
2	II Botón de Nivel	Pulso Alto Procesa Alimentos Más Duros
4	Unidad de Motor	Fuente de Alimentación del Aparato
5	Tapa	Protección de Seguridad Durante la Operación
6	Unidad de Cuchilla	Procesa Alimentos
7	Unidad de Cuchilla	Procesa Alimentos
9	Tazón	Mantener y Servir Contenidos
10	Anillo Antideslizante	Mantiene la Unidad Estable Durante la Operación
11	Raspador	Uselo para Eliminar el Contenido del Tazón.



- d. Una vez ensamblado, enchufe el cable de alimentación. Luego presione y mantenga presionados los botones de pulso “I” o “II” para procesar los alimentos. Suelte los botones para detener el procesamiento.



- g. Como montar / desmontar el conjunto de la cuchilla.
- Montar: Coloque la cuchilla lateral en el eje de la cuchilla principal (Fig 1 and Fig 2) y atornille la cuchilla lateral en sentido antihorario (Fig 3), luego retire las mangas protectoras de la cuchilla.
 - Desmontar: Retire la cuchilla lateral girándola en sentido horario desde la cuchilla principal.



NOTA:

- Hay 2 líneas antideslizantes en las piezas de la cuchilla principal / lateral. Para una instalación segura y correcta, las 2 líneas deben alinearse.
- Si las líneas no están alineadas, la cuchilla lateral puede estar floja y tocando el tazón o la tapa hará que su uso no sea seguro, puede provocar posibles lesiones.
- Hay un bloqueo de seguridad en la unidad principal. Durante el funcionamiento, coloque el aparato sobre una superficie plana y presione firmemente los botones “I” o “II” para comenzar la operación.

Usando Su Procesador de Alimentos:

Atención: El primer uso puede causar un ligero olor o un pequeño humo al calentar, es normal. Este es el resultado de la reacción química del elemento calefactor. Se va rápidamente.

Advertencia: Siempre desenchufe el producto de la toma de corriente cuando no esté en uso o se deje desatendido. Evite el contacto con partes móviles. No sobrellene el tazón de trabajo ni lo opere cuando esté vacío. Las cuchillas de acero inoxidable deben manipularse con extremo cuidado al retirar, ensamblar, limpiar o almacenar.

1. Asegúrese de que la cuchilla esté colocada correctamente en el eje central, manejando con cuidado.
2. Coloque los alimentos en el recipiente de trabajo sin sobrecargar el electrodoméstico. Recomendamos precortar cualquier alimento grande para facilitar el procesamiento.
3. Asegure la tapa del tazón de trabajo girándolo en sentido antihorario para bloquearlo. Enchufe el aparato a una toma de corriente. Presione el botón de pulso BAJO "I" o ALTO "II" para procesar. Para apagar, suelte el botón. No haga funcionar el aparato continuamente durante más de 30 segundos.
4. Retire la unidad del motor levantándola de la tapa asegurada. Desbloquee la tapa del tazón de trabajo de la base girándola en sentido horario. No quite la tapa hasta que las cuchillas hayan dejado de moverse por completo.
5. Cuando se hayan procesado todos los alimentos deseados, desconecte el aparato de la toma de corriente.
6. Retire con cuidado el conjunto de cuchillas y transfiera los alimentos procesados con la espátula incluida.
7. Si su comida procesada se adhiere al recipiente de la picadora, quite la presión del botón y desenchúfela. Use una espátula para raspar los lados del recipiente de la picadora y comience de nuevo el procesamiento.
8. Este artículo no se puede usar para moler frijoles, arroz, carne congelada o cualquier cosa que sea demasiado dura o que tenga demasiado líquido, ya que esto podría dañar el picador.
9. Si el procesador de alimentos está temblado, es porque la comida no está colocada de manera uniforme. Desconéctelo de la pared y vuelva a colocar la comida de manera uniforme y comience el proceso nuevamente.

Consejos de Procesamiento:

- Corte las verduras en trozos de 1 pulgada antes de procesarlas para obtener una consistencia uniforme
- Haga puré de verduras o frutas cocidas para la alimentación del bebé o como base para sopas y salsas.
- Corte el pan en pedazos y luego procese para hacer migas de pan. Rompa las galletas saladas o las galletas en pedazos y procese en migajas para obtener masas para pastel.
- Pique nueces; pique perejil, albahaca, cebollino y ajo.

Limpiando su Procesador de Alimentos:

Advertencia: Siempre desenchufe la unidad y permita que se enfríe antes de limpiarla o guardarla.

- Siempre limpie su procesador de alimentos después de cada uso.
- La tapa, la taza y la cuchilla se pueden lavar con una esponja suave con agua tibia y detergente suave o en un lavavajillas.
- El motor se puede limpiar con un paño húmedo. NUNCA SUMERJA EL MOTOR EN AGUA O COLOQUE EN EL LAVAVAJILLAS.
- No utilice limpiadores abrasivos.
- Vuelva a armar el product antes de guardarlo. Guarde su procesador de alimentos en un lugar fresco y seco.

IMPORTANTES MESURES DE SÉCURITÉ

Lorsque vous utilisez cet appareil ou tout autre appareil électrique, suivez toujours ces précautions de base, surtout en présence d'enfants.



LISEZ TOUTES LES INSTRUCTIONS AVANT USAGE

⚠ AVERTISSEMENT - Pour réduire le risque d'incendie, d'électrocution, de blessures graves ou de dommages matériels, veuillez noter ce qui suit:

- Ce produit n'est pas destiné à être utilisé par des enfants. Gardez-le hors de portée des enfants et des animaux. Redoublez de prudence lorsque vous utilisez cet appareil à proximité d'enfants.
- Assurez-vous que l'appareil est débranché de la prise électrique et laissez-le refroidir avant de l'assembler, le démonter, le déplacer ou le nettoyer.
- Ne laissez pas le produit sans surveillance lorsqu'il est en fonction. Débranchez-le toujours s'il n'est pas utilisé.
- N'immergez pas le socle motorisé, le cordon d'alimentation et la fiche de l'appareil et n'exposez pas le cordon ou la fiche à l'eau ou tout autre liquide.
- Ne touchez pas les surfaces chaudes. Utilisez les poignées ou boutons lorsque vous manipulez l'appareil. Afin d'éviter de vous brûler ou de vous blesser, utilisez des maniques ou gants de cuisine lorsque vous retirez le couvercle ou manipulez des récipients chauds.
- N'utilisez pas d'accessoires non recommandés ou vendus par le fabricant. Les accessoires fournis peuvent devenir très chauds durant l'utilisation. Laissez-les refroidir avant de les manipuler.
- Ne placez pas l'appareil sur ou près d'un brûleur à gaz ou électrique, dans un four chaud ou sur toute autre surface chaude.
- Soyez extrêmement prudent lorsque vous déplacez un appareil contenant des aliments chauds, de l'eau ou tout autre liquide chaud.
- Utilisez ce produit dans un endroit bien aéré. Gardez au moins 4 à 6 pouces d'espace tout autour de l'appareil afin de permettre une circulation d'air adéquate.
- Utilisez cet appareil sur une table ou une surface plane.
- Gardez l'appareil éloigné des rideaux, tentures, vêtements, torchons ou autres matériaux inflammables. Ne branchez ni ne débranchez le produit avec les mains mouillées.
- Ce produit n'est pas destiné à un usage commercial ou industriel, mais uniquement à un usage domestique pour la consommation d'aliments. N'utilisez pas l'appareil à l'extérieur ou à d'autres fins que celles prévues.
- Ne faites pas fonctionner l'appareil sans aliments à l'intérieur.
- Ne laissez pas le cordon pendre d'une table ou d'un comptoir où l'on pourrait s'y suspendre ou trébucher. Évitez que le cordon touche les surfaces chaudes.
- Ne faites pas fonctionner l'appareil si le cordon d'alimentation ou la fiche sont endommagés ou coupés, si les fils sont à découvert, s'il fonctionne mal, s'il a subi une chute ou est endommagé, ou si le socle motorisé est tombé par terre ou a été exposé à l'eau.

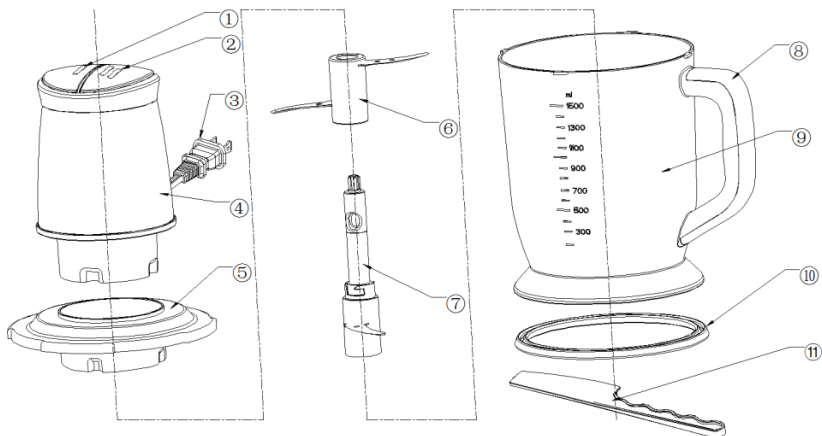
- Ce produit ne contient aucune pièce réparable par l'utilisateur. Ne tentez pas d'examiner ou de réparer ce produit vous-même. Veuillez consulter la politique de garantie Page 9.
- Ne tentez pas d'examiner ou de réparer ce produit vous-même. Seul un technicien qualifié doit effectuer les réparations. Apportez l'appareil à l'atelier de réparation de votre choix pour inspection et réparation.
- N'exercez aucune pression sur le cordon d'alimentation là où il se connecte à l'appareil, car il pourrait s'effiloche ou se briser.

RECOMMANDATIONS ADDITIONNELLES:

- Ne touchez pas aux pièces en mouvement de l'appareil. Évitez que les cheveux, mains, doigts ou toute autre partie du corps entrent en contact avec les pièces en mouvement de l'appareil lorsque qu'il fonctionne.
- Afin de réduire le risque de blessures ou dommages à l'appareil, évitez que les ustensiles touchent les lames en acier inoxydable. Utilisez une spatule uniquement lorsque les lames sont immobilisées.
- Assurez-vous que le couvercle est bien verrouillé en place avant de faire fonctionner l'appareil. Ne tentez pas de forcer le mécanisme de verrouillage du couvercle.
- Veillez à ce que l'appareil soit complètement assemblé avant de le brancher dans une prise électrique.
- Assurez-vous que l'appareil est débranché de la prise électrique et que toutes les pièces sont immobilisées avant de le démonter, l'assembler, le déplacer ou le nettoyer.
- Un court cordon d'alimentation est fourni afin de réduire les risques de s'enchevêtrer ou de trébucher dans un cordon plus long. L'utilisation d'une rallonge n'est pas recommandée avec ce produit, mais si elle doit être utilisée :
 - La puissance électrique indiquée doit être au moins égale à celle du produit.
 - Si le produit est d'un type de mise à la terre à 3 broches, la rallonge doit être un cordon de mise à la terre à 3 fils.
 - Disposez la rallonge de façon à ce qu'elle ne se glisse pas sur le comptoir ou sur le dessus de la table où elle peut trébucher ou être tirée.
 - Si l'appareil est équipé d'une fiche polarisée (une lame est plus large que l'autre) pour réduire le risque de choc électrique. Il s'agit d'un dispositif de sécurité. La fiche ne s'insère dans une prise polarisée que dans un sens. Si vous n'arrivez pas à insérer la fiche dans la prise électrique, essayez de l'inverser. Si la fiche ne s'adapte toujours pas, contactez un électricien qualifié. N'utilisez jamais la fiche avec une rallonge sauf si vous pouvez insérer complètement la fiche dans la rallonge. Ne modifiez pas la fiche. N'essayez pas d'aller à l'encontre de la fonction de sécurité de la fiche polarisée.

**CONSERVEZ CES INSTRUCTIONS
À TITRE DE RÉFÉRENCE**

Pièces:



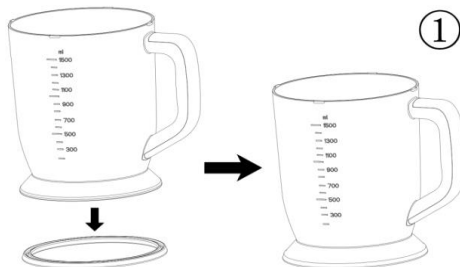
Article	Partie	Fonction
1	I level Button	Low Pulse traite les aliments plus mous
2	II level Button	High Pulse traite des aliments plus durs
4	Unité de moteur	Power source of appliance
5	Couvercle	safety protection during operation
6	Unité de lame latérale	Transformation des aliments
7	Unité de lame principale	Transformation des aliments
9	Bol de travail	Conservation et distribution du contenu
10	Bague antidérapante	Maintient l'unité stable pendant le fonctionnement
11	Racleur	Utiliser pour retirer le contenu du bol de travail

Avant la première utilisation

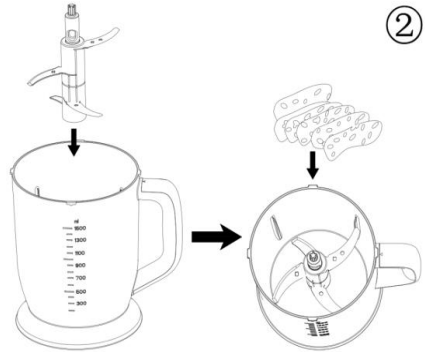
IMPORTANT : Veuillez vérifier soigneusement tout le matériel d'emballage avant de le mettre au rebut car il peut contenir des pièces accessoires.

AVERTISSEMENT : Ne pas placer la base du moteur dans le lave-vaisselle.

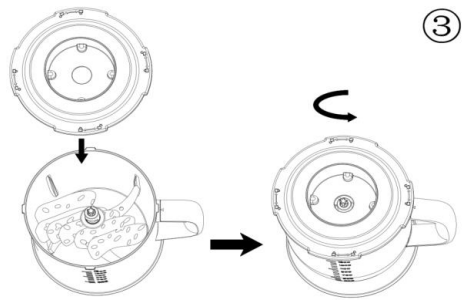
1. Laver le couvercle, la tasse et les lames à l'eau chaude savonneuse. Les lames sont très tranchantes. Manipulez-les avec soin. Rincez et séchez avant d'assembler.
2. Poser le tapis antidérapant sur la surface plane, puis y assembler le bol du hachoir. Evitez de le cogner par l'autre chose et gardez-le à l'écart des enfants.
3. Assemblage
 - a. Placez l'anneau antidérapant autour de la base du bol de travail. (Fig 1)



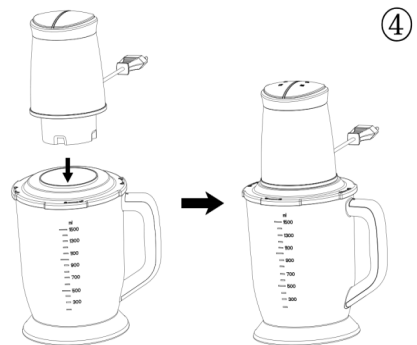
- b. Fixez l'ensemble de la lame sur l'arbre du bol, puis placez les aliments. (Fig 2)



- c. Ensuite, placez et fermez le couvercle. (Fig 3)

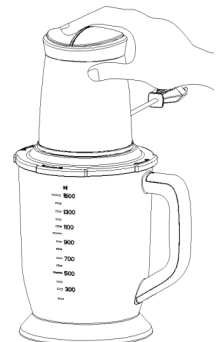


- d. Placez le moteur sur le couvercle sécurisé. (Fig 4)

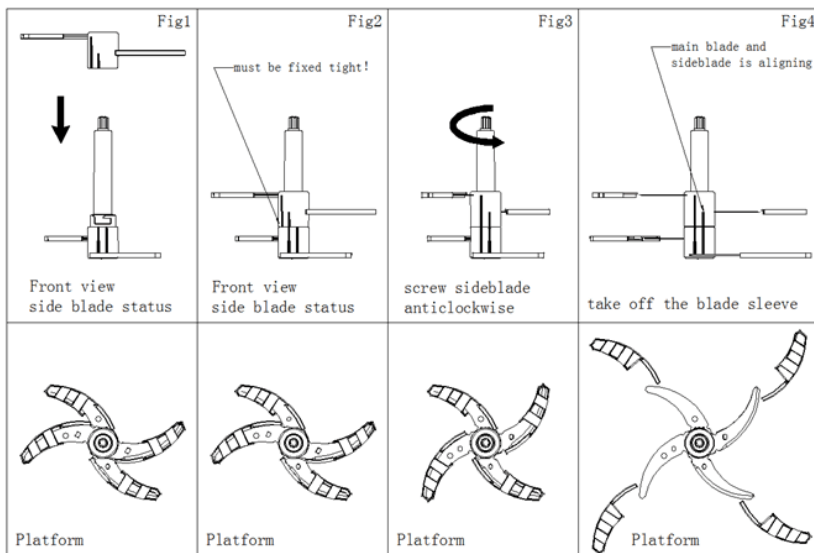


- e. Une fois assemblé, branchez le cordon d'alimentation. Ensuite, appuyez sur les boutons d'impulsion "I" ou "II" et maintenez-les enfoncés pour traiter les aliments. Lâchez les boutons pour arrêter le traitement.

- f. Comment assembler/désassembler l'ensemble de la lame.



- i. Assemblez : Placez la lame latérale sur l'arbre de la lame principale (Fig 1 et Fig 2) et vissez la lame latérale dans le sens inverse des aiguilles d'une montre (Fig 3), puis retirez les douilles de protection de la lame.
- ii. Démontez : Retirez la lame latérale en la tournant dans le sens des aiguilles d'une montre par rapport à la lame principale.



NOTE:

1. Il y a 2 lignes antidérapantes sur les pièces de la lame principale et latérale. Pour une installation sûre et correcte, les 2 lignes doivent être alignées.
2. Si les lignes ne sont pas alignées, la lame latérale peut être lâche et toucher le bol ou le couvercle, ce qui rend son utilisation dangereuse et peut entraîner des blessures.
3. Il y a un verrou de sécurité sur l'unité principale. Pendant le fonctionnement, veuillez poser l'appareil sur une surface plane et appuyer fermement sur les boutons "I" ou "II" pour démarrer l'opération.

Utilisation de votre robot ménager:

Attention: La première utilisation peut provoquer une légère odeur ou une petite fumée lors du chauffage, c'est normal. Ceci est le résultat de la réaction chimique de l'élément chauffant. Elle disparaît rapidement.

AVERTISSEMENT: Toujours débrancher l'appareil de la prise électrique lorsqu'il n'est pas utilisé ou qu'il est laissé sans surveillance. Évitez tout contact avec les pièces mobiles. Ne pas trop remplir le bol de travail et ne pas l'utiliser lorsqu'il est vide. Les lames en acier inoxydable doivent être manipulées avec un soin extrême lors du retrait, de l'assemblage, du nettoyage ou de l'entreposage.

1. Assurez-vous que la lame est correctement positionnée sur l'arbre central, en la manipulant avec précaution.
2. Placez les aliments dans le bol de travail sans trop remplir l'appareil. Nous recommandons de pré hacher les aliments de grande taille pour faciliter le traitement.
3. Fixez le couvercle sur le bol de travail en le tournant dans le sens inverse des aiguilles d'une montre pour le verrouiller.
4. Branchez l'appareil dans une prise électrique. Appuyer sur la touche d'impulsion BASSE 'I' ou HAUTE 'II' pour traiter. Pour éteindre l'appareil, relâcher le bouton. Ne pas faire fonctionner l'appareil de façon continue pendant plus de 30 secondes.
5. Retirez l'unité motrice en la soulevant du couvercle fixé. Déverrouiller le couvercle du bol de travail de la base en le tournant dans le sens des aiguilles d'une montre. Ne pas retirer le couvercle avant que les lames aient complètement cessé de bouger.
6. Lorsque tous les aliments désirés ont été traités, débrancher l'appareil de la prise électrique.
7. Retirez délicatement l'ensemble des lames et transférez les aliments traités à l'aide de la spatule fournie.
8. Si vos aliments transformés collent au bol du hachoir, veuillez retirer la pression sur le bouton et débrancher l'appareil. Utilisez une spatule pour gratter les côtés du bol du hachoir et recommencez le traitement.
9. Cet article ne peut pas être utilisé pour hacher des haricots, du riz ou de la viande congelée ou tout ce qui est trop dur ou a trop de liquide car cela pourrait endommager le hachoir.
10. Si le robot culinaire tremble, c'est parce que les aliments ne sont pas placés uniformément. Débranchez de la paroi et repositionner la nourriture de façon uniforme et recommencer le processus.

Conseils de traitement:

- Couper les légumes en morceaux de 1 po avant de les transformer pour obtenir une consistance uniforme.
- Réduire en purée des légumes ou des fruits cuits pour les aliments pour bébés ou comme base pour les soupes et les sauces.
- Déchirer le pain en morceaux puis le traiter pour en faire de la chapelure. Cassez les craquelins ou les biscuits en morceaux et transformez-les en chapelure pour faire des croûtes de tarte.
- Hacher les noix ; hacher le persil, le basilic, la ciboulette et l'ail.

Nettoyer votre robot culinaire:

AVERTISSEMENT: Débranchez toujours l'appareil et laissez-le refroidir avant de le nettoyer ou de le ranger.

- Nettoyez toujours votre robot ménager après chaque utilisation.
- Le couvercle, la tasse et le couteau peuvent être lavés avec une éponge douce sous l'eau chaude et un détergent doux ou au lave-vaisselle.
- Le moteur peut être nettoyé avec un chiffon humide. NE JAMAIS IMMERGER LE MOTEUR DANS L'EAU NI LE METTRE AU LAVE-VAISSELLE.
- Ne pas utiliser de nettoyeurs abrasifs
- Remonter le produit avant de le stocker. Conservez votre robot ménager dans un endroit frais et sec.