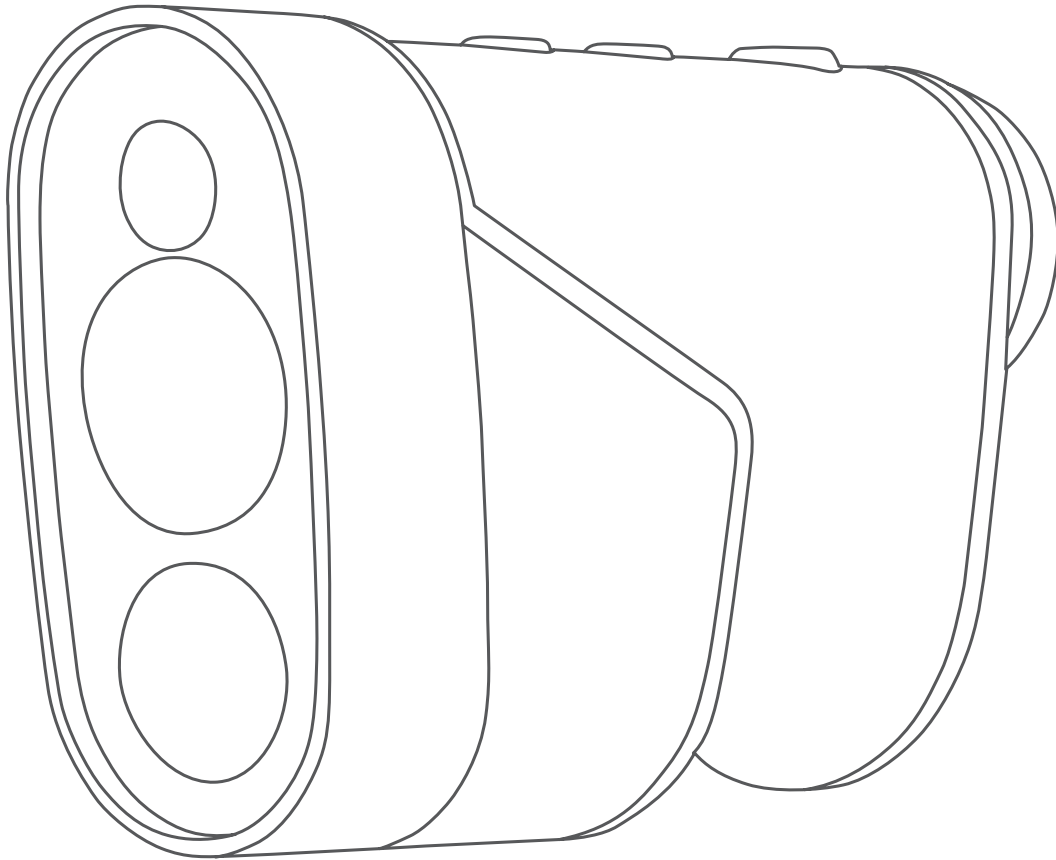


GARMIN®



APPROACH® Z82

Owner's Manual

© 2020 Garmin Ltd. or its subsidiaries

All rights reserved. Under the copyright laws, this manual may not be copied, in whole or in part, without the written consent of Garmin. Garmin reserves the right to change or improve its products and to make changes in the content of this manual without obligation to notify any person or organization of such changes or improvements. Go to www.garmin.com for current updates and supplemental information concerning the use of this product.

Garmin®, the Garmin logo, and Approach® are trademarks of Garmin Ltd. or its subsidiaries, registered in the USA and other countries. Garmin Golf™ and Garmin Express™ are trademarks of Garmin Ltd. or its subsidiaries. These trademarks may not be used without the express permission of Garmin.

Apple® is a trademark of Apple Inc., registered in the U.S. and other countries. The BLUETOOTH® word mark and logos are owned by the Bluetooth SIG, Inc. and any use of such marks by Garmin is under license. Windows® is a registered trademark of Microsoft Corporation in the United States and other countries. Other trademarks and trade names are those of their respective owners.

Table of Contents

Introduction	1
Device Overview.....	1
Status LEDs.....	1
Charging the Device.....	1
Turning On the Device.....	1
Standby Mode.....	1
Adjusting the Eyepiece.....	2
Bluetooth® Connected Features	2
Pairing Your Smartphone.....	2
Playing Golf	2
Measuring the Distance to the Pin.....	2
Hole View.....	2
Viewing PlaysLike Distance.....	2
Viewing the Direction to the Pin.....	2
Enabling Tournament Mode.....	3
Changing Holes.....	3
Ending a Round.....	3
Keeping Score.....	3
Enabling Statistics Tracking.....	3
Measuring a Shot.....	3
Sight Something	3
Measuring the Distance to a Target.....	3
Customizing Your Device	3
Settings.....	3
Calibrating the Compass.....	3
System Settings.....	3
Device Information	4
Device Care.....	4
Cleaning the Device.....	4
Long-Term Storage.....	4
Attaching the Carabiner Clip.....	4
Specifications.....	4
Viewing E-label Regulatory and Compliance Information.....	4
Troubleshooting	4
Ranging Accuracy.....	4
Acquiring Satellite Signals.....	4
My device cannot find nearby golf courses.....	4
Disconnecting the USB Cable.....	4
Restoring All Default Settings.....	5
Product Updates.....	5
Setting Up Garmin Express.....	5
Getting More Information.....	5
Index	6


Introduction

⚠ WARNING

See the *Important Safety and Product Information* guide in the product box for product warnings and other important information.

Device Overview



① △	Press to open the menu and scroll through menu options.
② ⏻ ▽	Press to turn on the device. Press to open the menu and scroll through menu options. Hold to turn off the device.
③ Tournament mode LED	View tournament mode status.
④ ⊖	Press to range with the laser. While playing golf, the flag finder feature starts automatically. Press to select menu options.
⑤ Adjustable diopter	Rotate the eyepiece to focus the screen.
⑥ Status LED	View device and battery status.
⑦ Weather cap Micro-USB power and data port (under weather cap)	Pull up to access the micro-USB power and data port. Connect a compatible USB cable to charge the device or transfer data using your computer.
⑧ Device label	View manufacturer's identification and certification. 

Status LEDs

LED Activity	Status
Solid blue (for 5 seconds after turning on)	The device is turned on.
Alternating red and blue (for 5 seconds after turning on)	The battery is low.
Off	The device is in active mode.
Slow flashing blue	The device is in standby mode.

LED Activity	Status
Solid red (after holding the power button)	The device is turned off.
Rapid flashing red (connected to a power source)	The device is charging in energy-saving mode.
Solid blue and flashing red (connected to a power source)	The device is charging.
Solid red (connected to a power source)	Charging is complete.
Slow flashing red	A software update is in progress.

Charging the Device

⚠ WARNING

This product contains a lithium-ion battery. To prevent the possibility of personal injury or product damage caused by battery exposure to extreme heat, store the device out of direct sunlight.

NOTICE

To prevent corrosion, thoroughly dry the USB port, the weather cap, and the surrounding area before charging or connecting to a computer.

The device is powered by a built-in lithium-ion battery that you can charge using a standard wall outlet or a USB port on your computer.

NOTE: The device will not charge when outside the approved temperature range (*Specifications, page 4*).

- 1 Pull up the weather cap from the USB port.
- 2 Plug the small end of the USB cable into the USB port on the device.
- 3 Plug the large end of the USB cable into an external power source, such as an AC adapter or a USB port on your computer.

- 4 Charge the device completely.

TIP: You can turn off the device to charge it faster.

Turning On the Device

The first time you turn on the device, you are prompted to choose a language, select a unit of measure, and set your driver distance.

- 1 Press ▽.
- 2 Follow the on-screen instructions.

Standby Mode

To conserve battery life, the device goes into standby mode when not in use. The device wakes up when you hold it with your thumb in the groove on the bottom of the device or push any button.



Adjusting the Eyepiece

The device features an adjustable eyepiece (+/- 4 diopter adjustment). This allows you to focus the screen for your eyesight.

Rotate the eyepiece to focus the screen.

Bluetooth® Connected Features

This device includes Bluetooth connected features for your compatible mobile device using the Garmin Golf™ app.

Scorecard uploads to Garmin Golf: Automatically sends scorecards to the Garmin Golf app when you sync your device. This allows you to view detailed statistics and participate in online leaderboards.

Wind speed and direction: Shows the wind speed and direction on the hole view screen. The wind direction is relative to the pin.

Find My Garmin: Allows you to use the Garmin Golf app to locate your rangefinder using its last known location.

Pairing Your Smartphone

To use the connected features of your rangefinder, it must be paired directly through the Garmin Golf app, instead of from the Bluetooth settings on your smartphone.

- 1 From the app store on your smartphone, install and open the Garmin Golf app.
- 2 Bring your smartphone within 10 m (33 ft.) of your device.
- 3 On your rangefinder, select \triangle or ∇ to open the menu.
- 4 Select **Settings** > **Bluetooth** > **Pair**.
- 5 From the \equiv or \dots menu in the app, select **Garmin Devices** > **Add Device**, and follow the on-screen instructions.

Playing Golf

Select **Play Golf**.

The device locates satellites and calculates your location. The nearest course is selected, and the hole closest to your current location is displayed automatically.

NOTE: You can select a course from the list if there is more than one course near your current location.

Measuring the Distance to the Pin

You can use the flag finder feature to target the flag and measure the distance from your current position to the pin. This feature helps get an accurate distance to the pin by filtering out other objects in the background.

- 1 Start playing a round of golf.
- 2 Align the rangefinder reticle with the flag.
NOTE: For best results, you should hold the device steady, and align the reticle with the flag instead of the pin.
- 3 Press \ominus .
The measured range to the pin appears. A red arc appears on the map at the laser-ranged distance. If the device is able to target the flag, the device vibrates, a flag icon appears, the distance arc is yellow, and the hole view map automatically transitions to a close up of the green.

TIP: You can return to the hole view by pointing the device away from the green and pressing \ominus .

Hole View

The device shows the current hole you are playing, and automatically transitions when you move to a new hole.

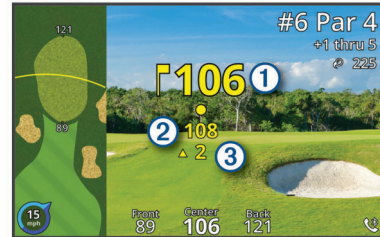


①	Displays distances to the beginning of the fairway, and the front and back of hazards.
②	Displays the current hole number.
③	Displays the par for the current hole.
④	Displays your recorded score.
⑤	Displays the distance from the last ranged location.
⑥	Displays a low battery indicator when the battery level is low.
⑦	Displays your phone connectivity status.
⑧	Displays distances to the front, center, and back of the green.
⑨	Displays wind direction and speed.
⑩	Displays your driver distance when you are on the tee box.

Viewing PlaysLike Distance

The plays like distance feature accounts for elevation changes on the course by showing the adjusted distance to the flag.

- 1 Select \triangle or ∇ to open the menu.
- 2 Select **PlaysLike Distances**.



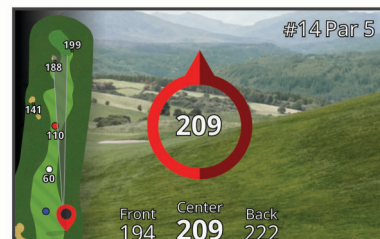
①	Distance to the flag as measured by the laser.
②	PlaysLike distance to the flag, adjusted for slope.
③	Elevation difference between you and the target based on the slope of the rangefinder. The symbol indicates whether the slope is uphill \blacktriangle or downhill \blacktriangledown .

Viewing the Direction to the Pin

The PinPointer feature is a compass that provides directional assistance when you are unable to see the green. This feature can help you line up a shot even if you are in the woods or in a deep sand trap.

NOTE: Do not use the PinPointer feature while in a golf cart. Interference from the golf cart can affect the accuracy of the compass.

- 1 Select \triangle or ∇ to open the menu.
- 2 Select **PinPointer**.



The compass arrow points to the pin location. A cone appears on the map to help orient you toward the pin.

TIP: You can press any key to return to the hole view.

Enabling Tournament Mode

The tournament mode setting disables the PinPointer and PlaysLike distance features. These features are not allowed during sanctioned tournaments or handicap calculation rounds.

- 1 Select \triangle or ∇ to open the menu.
- 2 Select **Settings > Tournament Mode**.

The tournament mode LED on top of the device appears solid blue when the tournament mode setting is enabled.

Changing Holes

You can change holes manually from the hole view screen.

- 1 Select \triangle or ∇ to open the menu.
- 2 Select **Change Hole**.
- 3 Select an option.

Ending a Round

- 1 Select \triangle or ∇ to open the menu.
- 2 Select **End Round**.

Keeping Score

- 1 Press \triangle or ∇ to open the menu.
- 2 Select **Scorecard**.
NOTE: If scoring is not enabled, you can select Start Scoring.
- 3 If necessary, press \triangle or ∇ until the hole you want to score is highlighted.
- 4 Press \ominus to select the hole.
- 5 Press \triangle or ∇ to set the score.
- 6 Hold any key to exit.

Enabling Statistics Tracking

When you enable statistics tracking on the device, you can view your statistics for the current round. You can compare rounds and track improvements using the Garmin Golf app.

- 1 Press \triangle or ∇ to open the menu.
- 2 Select **Settings > Stat Tracking**.

Recording Statistics

Before you can record statistics, you must enable statistics tracking ([Enabling Statistics Tracking, page 3](#)).

- 1 From the scorecard, select a hole.
- 2 Set the number of strokes taken, and press \ominus .
- 3 Select an option:
NOTE: If you are on a par 3 hole, fairway information does not appear.
 - If your ball hit the fairway, select \uparrow .
 - If your ball missed the fairway, select \leftarrow or \rightarrow .
- 4 Set the number of putts taken, and press \ominus .

Measuring a Shot

- 1 Enable the **Auto Measure Shot** feature ([Settings, page 3](#)).
- 2 While playing golf, use your rangefinder to measure the distance to the pin.
- 3 Walk to your ball.

The distance from the ranged location is automatically measured and appears on the hole view screen.

The distance resets the next time you use your rangefinder to measure the distance to the pin.

Sight Something

Measuring the Distance to a Target

You can use the device to measure the distance from your current position to a target, such as on a driving range.

NOTE: The device can measure distances from 5 to 411 m (5.5 to 450 yd.).

- 1 Select **Sight Something**.
- 2 Align the rangefinder reticle with the target.
- 3 Press \ominus .

The measured range appears.

Customizing Your Device

Settings

Select **Settings**.

Bluetooth: Allows you to enable Bluetooth technology or pair your smartphone with your rangefinder ([Pairing Your Smartphone, page 2](#)).

Tournament Mode: Disables the PinPointer and PlaysLike distance features. These features are not allowed during sanctioned tournaments ([Enabling Tournament Mode, page 3](#)).

Stat Tracking: Allows you to enable statistics tracking on the device ([Enabling Statistics Tracking, page 3](#)).

Auto Measure Shot: Allows you to enable automatic shot measurements based on your last ranged location.

Driver Distance: Sets the average distance the ball travels on your drive. This distance appears as an arc on the hole view screen when you are on the tee box.

Compass Calibration: Allows you to manually calibrate the compass sensor ([Calibrating the Compass, page 3](#)).

Gender: Allows you to set your gender. This is used for gender-specific course ratings for select tees when calculating handicaps, and for gender-specific par values (where available).

System: Sets system settings, such as the text language on the device, the units of measure, and time format ([System Settings, page 3](#)).

About: Displays device information, such as the unit ID, software version, regulatory information, and license agreement ([Viewing E-label Regulatory and Compliance Information, page 4](#)).

Calibrating the Compass

NOTE: You must calibrate the electronic compass outdoors. Do not stand near objects that influence magnetic fields, such as cars, buildings, or overhead power lines.

Your device was already calibrated at the factory, and the device uses automatic calibration by default. If the PinPointer feature is not working properly, for example, after moving long distances or after extreme temperature changes, you can manually calibrate the compass.

- 1 Select **Settings > Compass Calibration**.
- 2 Follow the on-screen instructions.

System Settings

Select **Settings > System**.

Language: Sets the text language on the device.

NOTE: Changing the text language does not change the language of user-entered data or map data.

Units: Sets the unit of measure for distance.

Time Format: Sets the device to show time in a 12-hour or 24-hour format.

Brightness: Sets the brightness level of the backlight.

Auto Standby: Adjusts the amount of time before the device automatically goes into standby mode (*Standby Mode*, page 1).

Reset: Allows you to reset user data and settings (*Restoring All Default Settings*, page 5).

Device Information

Device Care

NOTICE

Do not store the device where prolonged exposure to extreme temperatures can occur, because it can cause permanent damage.

Avoid chemical cleaners, solvents, and insect repellents that can damage plastic components and finishes.

Secure the weather cap tightly to prevent damage to the USB port.

Cleaning the Device

NOTICE

Do not use a dry cloth to clean the lens. Use of a dry cloth may damage the lens.

Avoid chemical cleaners and solvents that can damage plastic components.

- 1 Wipe the outer casing and lens with a soft, non-scratch cloth dampened with water or alcohol.
- 2 Wipe the outer casing dry, and allow the lens to air dry.

Long-Term Storage

When you do not plan to use the device for several months, you should charge the battery to at least 50% before you store the device. You should store the device in a cool, dry place with temperatures around the typical household level. After storage, you should fully recharge the device before using it.

Attaching the Carabiner Clip

- 1 Position the carabiner clip in the slots on the mounting spine of the carry case.



- 2 Slide the carabiner clip up until it locks in place.

Specifications

Battery type	Rechargeable, built-in lithium-ion battery
Battery life	Up to 15 hr. typical use
Water rating	IEC 60529 IPX7 ¹
Operating temperature range	From -10° to 55°C (from 14° to 131°F) NOTE: The device protects itself from overheating and shuts down automatically if the internal temperature exceeds the operating temperature threshold.

Charging temperature range	From 10° to 45°C (from 50° to 113°F)
Wireless frequency/protocol	10.1 dBm @ 2.4 GHz

Viewing E-label Regulatory and Compliance Information

The label for this device is provided electronically. The e-label may provide regulatory information, such as identification numbers provided by the FCC or regional compliance markings, as well as applicable product and licensing information.

- 1 Select **Settings**.
- 2 Select **About**.

Troubleshooting

Ranging Accuracy

External factors may affect ranging accuracy, such as ambient light, weather conditions, target reflectivity, and target size.

- The device can target longer ranges in lower light conditions, such as on overcast days. Bright sunlight minimizes ranging ability.
- Rain minimizes ranging ability.
- The device can target longer ranges when measuring the distance to brightly colored, reflective, or shiny objects. Black objects are less reflective, and can be targeted at shorter ranges.
- Larger objects are easier to target than smaller objects. For example, you should target the flag instead of the pin.
- The device can target longer ranges when the angle to the target is closer to 90 degrees. A smaller angle to the target limits ranging ability.

Acquiring Satellite Signals

The device may need a clear view of the sky to acquire satellite signals. The time and date are set automatically based on the GPS position.

- 1 Go outdoors to an open area.
The top of the device should be oriented toward the sky.
- 2 Wait while the device locates satellites.
It may take 30–60 seconds to locate satellite signals.

My device cannot find nearby golf courses

If a course update is interrupted or canceled before it completes, your device may be missing course data. To repair missing course data, you must update the courses again.

- 1 Download and install course updates from the Garmin Express™ application (*Product Updates*, page 5).
- 2 Safely disconnect your device (*Disconnecting the USB Cable*, page 4).
- 3 Go outside, and start a test round of golf to verify the device finds nearby courses.

Disconnecting the USB Cable

If your device is connected to your computer as a removable drive or volume, you must safely disconnect your device from your computer to avoid data loss. If your device is connected to your Windows® computer as a portable device, it is not necessary to safely disconnect the device.

- 1 Complete an action:
 - For Windows computers, select the **Safely Remove Hardware** icon in the system tray, and select your device.
 - For Apple® computers, select the device, and select **File > Eject**.

¹ The device withstands incidental exposure to water of up to 1 m for up to 30 min. For more information, go to www.garmin.com/waterrating.

- 2 Disconnect the cable from your computer.

Restoring All Default Settings

- 1 Select **Settings > System > Reset**.
- 2 Select an option:
 - Select **Reset Default Settings** to reset all of the device settings to the factory default values and save all user-entered information.
 - Select **Delete Data and Reset Settings** to delete all user-entered information and reset all of the device settings to the factory default values.

Product Updates

On your computer, install Garmin Express (www.garmin.com/express).

This provides easy access to these services for Garmin® devices:

- Software updates
- Course updates
- Product registration

Setting Up Garmin Express

- 1 Connect the device to your computer using a USB cable.
- 2 Go to www.garmin.com/express.
- 3 Follow the on-screen instructions.

Getting More Information

- Go to support.garmin.com for additional manuals, articles, and software updates.
- Go to garmin.com/golf.
- Go to buy.garmin.com, or contact your Garmin dealer for information about optional accessories and replacement parts.

Index

A

accessories **5**
apps, smartphone **2**

B

battery **1**
 charging **1**
 storage **4**
Bluetooth technology **2**

C

carabiner clip **4**
compass **2**
 calibrating **3**
courses
 playing **2**
 selecting **2**
customizing the device **3**

D

device, care **4**
display settings **2**
distance, measuring **2, 3**

G

Garmin Express **5**
 updating software **5**
Garmin Golf **2**
golf round, ending **3**
GPS, signal **4**
green view, pin location **2**

H

holes, changing **3**

K

keys **1**

M

maps, symbols **2**
measuring a shot **3**
menu **1**

P

pairing, smartphone **2**
pin location, green view **2**

R

resetting the device **5**

S

satellite signals **4**
scorecard **3**
settings **1, 3, 5**
sleep mode **1**
smartphone, pairing **2**
software, updating **5**
specifications **4**
statistics **3**
system settings **3**

T

troubleshooting **3–5**

U

USB, disconnecting **4**
user profile **1**

