

Formula Speaker Systems are designed to the highest possible value and performance standards. Our confidence in their quality is such that B-I-C America offers customers this transferable five-year limited warranty:

## Formula System Five-Year Limited Warranty

If the Formula speaker system proves to be defective in materials or workmanship within five years from the date of the original customer's purchase, we will, at our option, repair or replace the defective part.

### DISCLAIMER

THE WARRANTY STATED HEREIN IS IN LIEU OF ALL OTHER WARRANTIES, EXPRESS OR IMPLIED, INCLUDING MERCHANTABILITY AND FITNESS FOR PARTICULAR PURPOSE AND ALL OTHER LIABILITIES AND OBLIGATIONS OF B-I-C AMERICA, ALL OF WHICH ARE EXPRESSLY DISCLAIMED. B-I-C AMERICA HAS NOT MADE AND DOES NOT HEREBY MAKE ANY OTHER REPRESENTATION, WARRANTY OR COVENANT WITH RESPECT TO THE CONDITION, QUALITY, DURABILITY, DESIGN, OPERATION, CAPACITY, FITNESS FOR USE OR SUITABILITY OF THE B-I-C AMERICA SPEAKER SYSTEMS.

### Exclusion of Certain Damages

B-I-C America's liability for any defective product is limited to repair or replacement of the product at our option. B-I-C America shall not be liable for incidental or consequential damages of any kind or character because of product defects.

Some states do not allow limitations on implied warranties and/or do not allow the exclusion or limitation of incidental or consequential damages, so the above limitations and exclusions may not apply.

### This Warranty Does Not Cover:

Damage caused by abuse, accident, misuse, negligence, or improper operation.

Products that have been altered or modified.

Any product whose serial number has been altered, defaced, or removed.

Normal wear and maintenance.

Damages caused by shipping. (All claims for shipping damage must be made with the carrier.)

### Warranty Service

Warranty service must be performed by an authorized service center, usually a Formula speaker systems dealer or its authorized agent. You may obtain a list of authorized service centers by contacting B-I-C America at 877-558-4242 (4BIC).

**All warranty repairs must be accompanied by the original bill of sales. No other document is acceptable or is required.**

This warranty gives you specific legal rights, and you may also have other rights which vary from state to state.

Due to our continual efforts to improve product quality as new technology and techniques become available, B-I-C America reserves the right to revise Speaker Systems specifications without notice.



a **B-I-C** America™ Company

## Owner's Manual



# Model FH6-LCR

**All Channel Speaker  
Vertical / Horizontal Flush Mount Included**

## SPECIFICATIONS

### Design

Two-way, three driver center speaker

### Drivers

Dual 6 $\frac{1}{2}$ " woofers, one 6 $\frac{1}{2}$ " mid/high frequency horn with neodymium magnet

### Power Handling

10 - 175 watts per channel,

### Sensitivity

95dB @ 1 watt, 1 meter  
output to 116dB

### Frequency Response

40Hz - 23kHz (+/- 3dB)

### Crossover

2000Hz

### Enclosure Type

Sealed

### Impedance

8 ohms

### Input Terminals

Gold-plated binding posts

### Dimensions

8" H x 21 $\frac{7}{8}$ " W x 6 $\frac{1}{8}$ " D

### Shipping Weight

25 lbs. (11.3 kg.)

### Limited Warranty

5 years parts (excludes  
sustained cosmetic damages)



### B-I-C America

925 N. Shepard Street  
Anaheim, CA 92806  
www.bicamerica.com

For tech support call 1-877-558-4242 (4BIC)

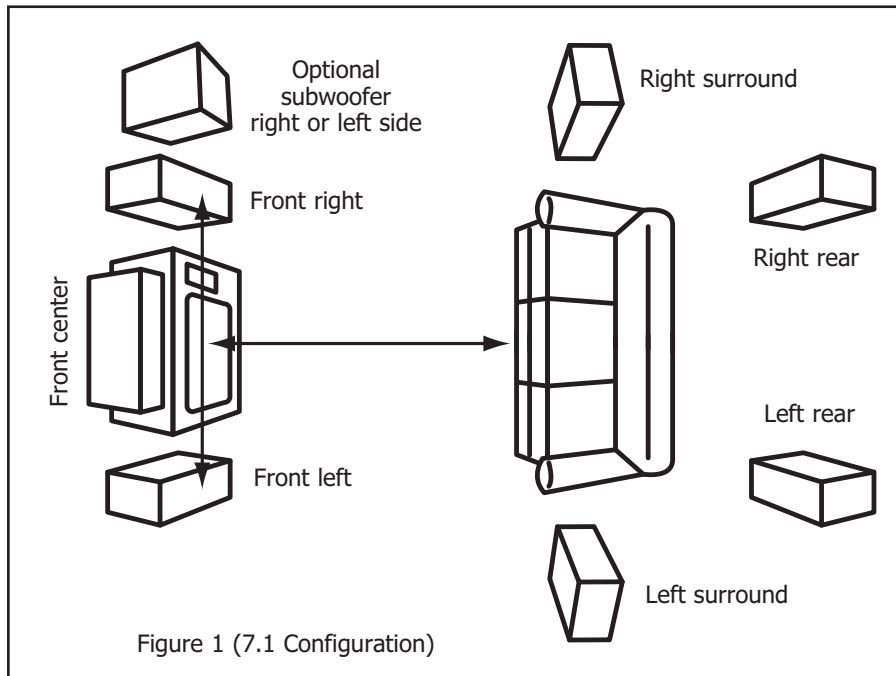
## Unpacking

Carefully remove your new speaker from the box, avoiding staples which can cause damage to the cabinets. Inspect the speaker for transit damage. If you discover damage, contact your dealer immediately.

Save your carton – it is the best possible protection for your speaker should you ever have a need to move it.

## Speaker Setup(s)

Figure 1 below shows 7.1 speaker placement. The Formula FH6-LCR is designed to be an all-channel speaker. The center channel speaker should be placed as close to the TV as possible, preferably directly above or below the set. The front channel speakers should be placed at least 6 feet apart (TV/monitor center) to create proper stereo imaging. The side surround speakers should be placed behind the viewer/listener. The rear surround speakers should be positioned behind the viewer/listener. It may take some experimentation with different locations for the surround speakers to suit your preference and your room.



## Horizontal Mounting

Once you have determined the placement for your speakers, you also have the option of mounting them to the wall. Figures 2 and 3 show the rear of the FH6-LCR and how to use the mounting brackets provided.

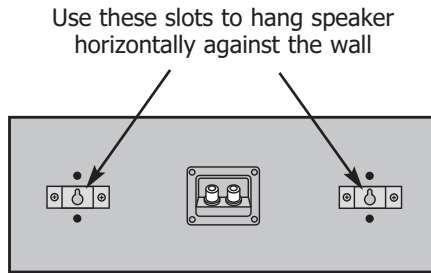


Figure 2 (Back view)

## Adhere Logo to Front of Grille

After you decide whether your FH6-LCR will be mounted vertically or horizontally, peel off the paper on the back of the Formula logo and mount it to the front of the grille.

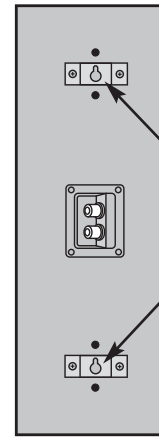


Figure 3 (Back view)

## Hooking Up Your Formula Speaker

**STOP!** – Make sure that you consult your amplifier's owner's manual regarding speaker hook-up. Your amplifier should be turned off throughout this procedure.

Most speaker wire is polarity coded. This means that each conductor is labeled either (+) positive or (-) negative. The (+) positive side may be a different color or texture than the (-) negative side. On the back of your amplifier, each channel is probably labeled (+) and (-) as well as color coded red for (+) positive and black for (-) negative. Formula speaker terminals are color coded red for (+) positive and black for (-) negative. Be sure to hook (+) to (+), (red to red), and (-) to (-), (black to black). (See Figure 4.)

All connections should be tight and close fitting. Inspect connections for frays and stray strands of wire touching both (+) and (-) terminals. (This will cause a short and, perhaps, damage your equipment.)

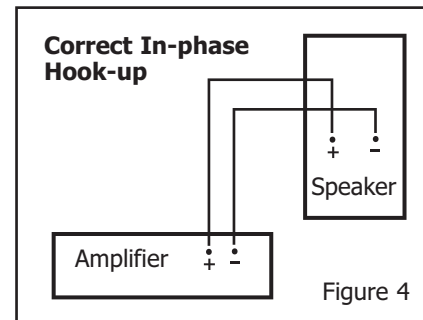


Figure 4

## Caring for Your Speakers

Formula speaker cabinets are finished with a very high quality polymer lacquer covering that is both attractive and serves as excellent protection for the wood cabinet. The cabinet can be cleaned with a damp, soft cloth or you may use a high-quality furniture polish to maintain the original luster. Use a soft brush or hand vacuum cleaner on the grille material.

## Troubleshooting and Service

Formula speakers do not use external fuse protection or circuit breakers because these devices tend to impede sound quality and may only protect the speaker to a marginal degree. Rather, we use components and designs of the highest caliber as an effective method of protecting the speaker. However, no amount of protection will prevent damage caused by defective associated equipment or extreme abuse.

If your speaker has no output, first try to determine if it is indeed a speaker problem. Determine whether the problem exists in both speakers. If it does, the problem likely originates in some other component in the system. If the problem is in one speaker only, reverse your speaker leads (left to right, right to left). If the problem moves to the other channel, the issue is not the speakers.

If you have determined that your speaker is not functioning properly, or you have questions, please contact B-I-C America at 877-558-4242.



**B-I-C America**  
925 N. Shepard Street  
Anaheim, CA 92806

[www.bicamerica.com](http://www.bicamerica.com)