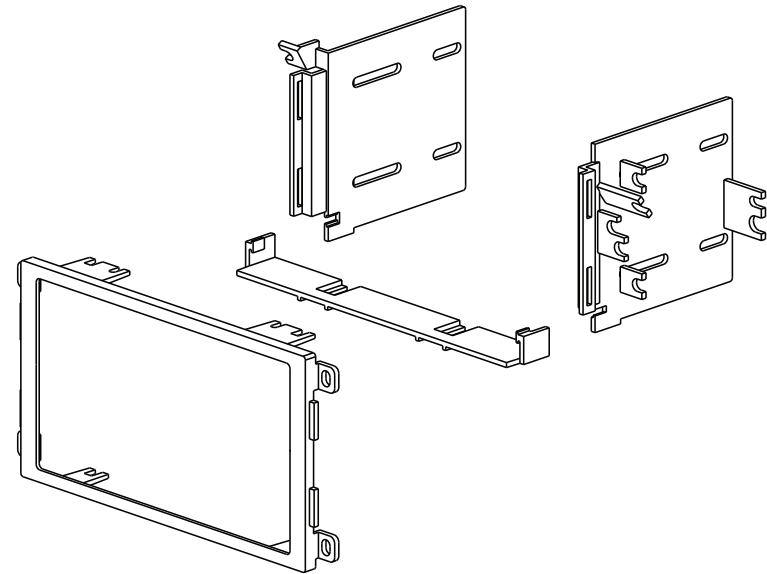


For information about other American International automotive accessories visit our website at:

<http://www.americaninternational.net>



**American International**  
Car Stereo Installation Kits & Accessories



**GMK422 Mounting Kit**



**American International**

**Automotive Products Division**

1040 Avenida Acaso • Camarillo, CA 93012, U.S.A.

USA Sales (800) 336-6500

Canada Sales (888) 922-3006 • USA Fax (805) 388-7950

**CUSTOMER HELP LINE**

USA 800-323-4329 • Canada 800-245-8777

iGMK422

**VEHICLE APPLICATIONS** \*Fits oversized Delco Radio dash opening only

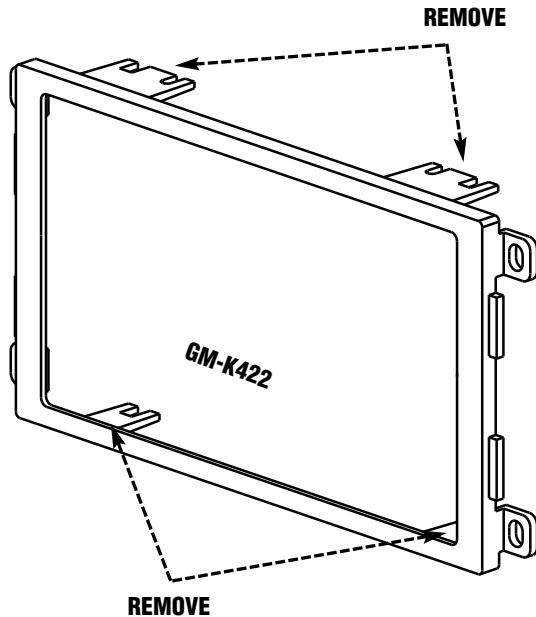
<b>Buick</b>		2003-06	SILVERADO	2006-07	i350
1997-05	CENTURY	2007	SILVERADO	2007-09	i290
1995-05	LE SABRE		Classic	2007-09	i370
1995-05	PARK AVE	2003-06	SUBURBAN	<b>Oldsmobile</b>	
2004-07	RAINIER	2003-06	TAHOE	1996-98	ACHIEVA
1995-04	REGAL	1998-04	TRACKER	1999-04	ALERO
2002-07	RENDEZVOUS	2002-09	TRAILBLAZER	1995-03	AURORA
1996-99	RIVIERA	2000-05	VENTURE	1998-04	BRAVADA
1995-96	ROADMASTER	<b>Geo</b>		1995-99	CUTLASS/SUPREME
1996-98	SKYLARK	1995-97	METRO	1994-99	DELTA 88/ROYALE/88
<b>Cadillac</b>		<b>GMC</b>		1998-02	INTRIGUE
1990-96	FLEETWOOD	2004-12	CANYON	1996-99	LSS
1990-92	BROUGHAM	2002-09	ENVOY	1994-96	NINETY-EIGHT
1992-95	EL DORADO	2002-03	*JIMMY	1997-98	REGENCY
2003-06	ESCALADE/ESV	2001-07	SAVANA VAN	2000-04	SILOUETTE
1992-95	SEVILLE	2003-06	SIERRA	<b>Pontiac</b>	
<b>Chevrolet</b>		2007	SIERRA Classic	2001-05	AZTEK
2003-06	AVALANCHE	2002	*SONOMA	2000-05	BONNEVILLE
2002	*BLAZER	2003-04	SONOMA	2001-05	GRAND AM
2003-05	BLAZER	2003-06	YUKON	2000-05	SUNFIRE
2000-05	CAVALIER	2003-06	YUKON XL	2000-04	MONTANA
2004-12	COLORADO	<b>Honda</b>		2003-08	VIBE
2001-07	EXPRESS VAN	1998-02	PASSPORT	<b>Suzuki</b>	
2000-05	IMPALA	<b>Hummer</b>		2002	AERIO
2001-03	MALIBU	2003-06	H1	1992-98	SIDEKICK
2004	MALIBU CLASSIC	2003-07	H2/SUT	1998-02	ESTEEM
1998-01	METRO	<b>Isuzu</b>		1999-02	GRAND VITARA
2000-05	MONTE CARLO	1998-00	AMIGO	1995-01	SWIFT
2003-06	SSR	2003-08	ASCENDER	1999-03	VITARA
2002	*S-10 P/U	1998-04	RODEO	2001-02	XL-7
2003-04	S-10 P/U	2006-07	i280	<b>Toyota</b>	
				2003-04	MATRIX

## BRACKET PREPARATION

### For All Vehicles Not Including

1990-96 Fleetwood/Brougham

Remove the (2) top and the (2) bottom mounting tabs located on the Trim ring of the GM-K422 kit.



For 1990-1996 Cadillac Fleetwood/Brougham instructions  
See page 6

## 1990-1996 CADILLAC FLEETWOOD / FLEETWOOD BROUGHAM

### DASH DISASSEMBLY INSTRUCTIONS

1. Carefully unclip the dash trim bezel from above the climate controls.
2. Remove the (2) screws securing the top of the Radio/climate control trim bezel, carefully unclip and remove bezel.
3. Remove the (4) screws securing the radio to the sub-dash.
4. Carefully slide radio out of the dash, disconnect all wire harnesses and antenna lead (if applicable) and remove radio.
5. Remove the top and bottom mounting brackets from the factory radio; you will need to attach these brackets to the installation kit following the instructions in the kit.

### FACTORY BRACKET ATTACHMENT INSTRUCTIONS

1. Attach top factory mounting bracket (using carriage bolts and nuts supplied with kit) to top edge of kit.
2. Attach bottom factory mounting bracket (using carriage bolts and nuts supplied with kit) to bottom edge of kit.



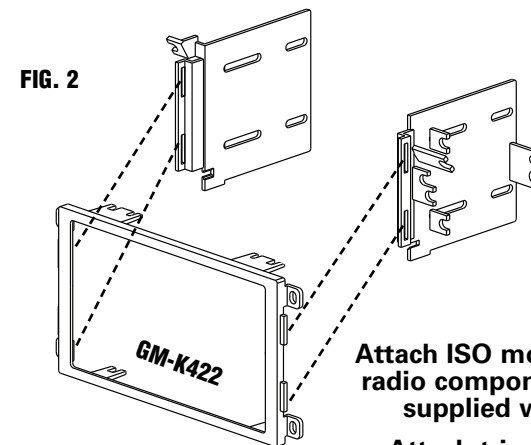
View of the Top Edge



View of the Bottom Edge

### ISO MOUNT INSTRUCTIONS

REMOVE ALL MOUNTING TABS ON THE SIDE BRACKETS.  
REMOVE (4) SIDE MOUNTING TABS ON ISO TRIM RING.



Attach ISO mounting brackets to radio components using screws supplied with kit or radio

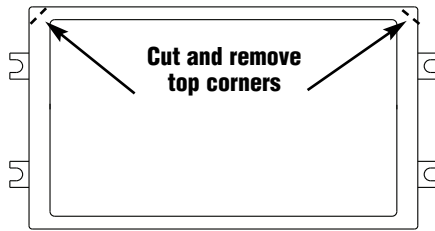
Attach trim ring to brackets before tightening radio mounting brackets



## DASH DISASSEMBLY INSTRUCTIONS

1. Open ashtray and remove ashtray cup.
2. Remove (1) phillips screw from rear of ashtray cavity.
3. Carefully unclip trim bezel from around radio/lighter assembly.
4. Disconnect wire harness from lighter and remove trim assembly.
5. Remove the (4) phillips screws securing radio to subdash.
6. Pull radio forward, disconnect the wire harness and antenna lead and remove radio.

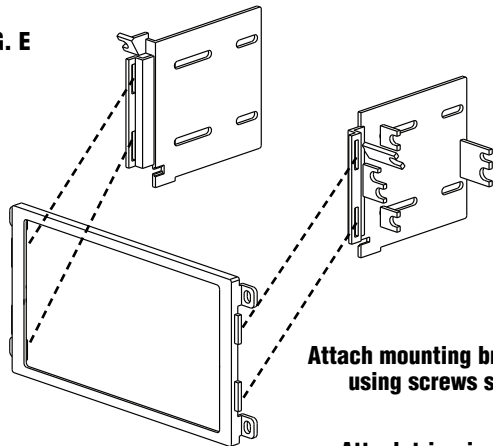
FIG. C



**\*\*Remove all mounting tabs on the Side Brackets not shown above.  
Remove all mounting Tabs on ISO Trim Ring**

<b>Honda</b>	<b>Isuzu</b>
PASSPORT	AMIGO
	RODEO

FIG. E

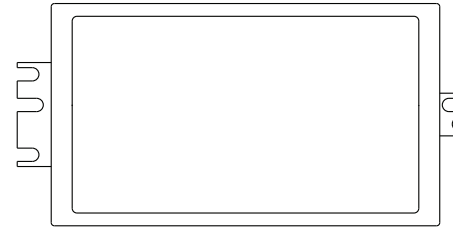


**Attach mounting brackets to radio components using screws supplied with kit or radio**

**Attach trim ring to brackets before tightening radio mounting brackets**

## SIDE BRACKET PREPARATION

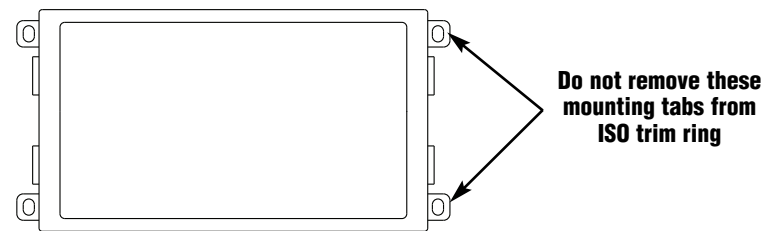
FIG. A



**\*\*Remove all mounting tabs on the Side Brackets not shown above.  
Remove all mounting Tabs on ISO Trim Ring**

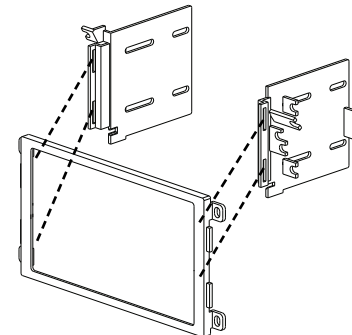
<b>Buick</b> CENTURY LA SABRE PARK AVE REGAL REGENCY RENDEZVOUS RIVIERA ROADMASTER SKYLARK	<b>Cadillac</b> ESCALADE <b>Chevrolet</b> BLAZER CAVALIER COLORADO EXPRESS VAN IMPALA MALIBU MONTE CARLO S-10 P/U SILVERADO SUBURBAN	SSR TAHOE VENTURE <b>GMC</b> CANYON ENVOY JIMMY SIERRA YUKON YUKON XL <b>Hummer</b> H2	<b>Isuzu</b> ASCENDER i-280 / i-290 i-350 / i-370 <b>Oldsmobile</b> ACHIEVA ALERO AURORA BRAVADA CUTLASS/SUPREME DELTA 88/ROYALE INTRIGUE	<b>Oldsmobile (Cont.)</b> LSS NINETY-EIGHT SILOUETTE <b>Pontiac</b> AZTEK BONNEVILLE GRAND AM MONTANA SUNFIRE
---	--	---	---	--

FIG. B



**\*\*Remove all mounting tabs on the Side Brackets**

<b>Chevy/GEO</b> METRO TRACKER	<b>Suzuki</b> AERIO ESTEEM SIDEKICK SWIFT	GRAND VITARA VITARA XL-7
--------------------------------------	---	-----------------------------------



**Attach mounting brackets to radio components using screws supplied with kit or radio**

**Attach trim ring to brackets before tightening radio mounting brackets**