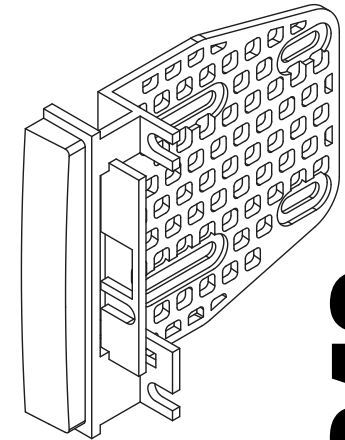
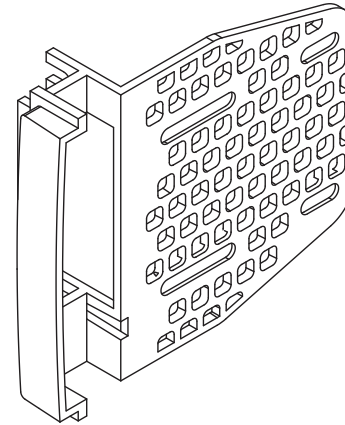




**American
International**
Car Stereo Installation Kits & Accessories



CDK642 Mounting Kit

VEHICLE APPLICATIONS

Chrysler

- 2011-14 200
- 2008-10 300
- 2008-09 ASPEN
- 2007-10 SEBRING
- 2008-15 TOWN & COUNTRY

Dodge

- 2007-14 AVENGER
- 2008-15 GRAND CARAVAN
- 2009-12 CALIBER
- 2009-14 CHALLENGER
- 2008-10 CHARGER
- 2008-11 DAKOTA
- 2008-09 DURANGO (Excludes 08 Limited)
- 2009-10 JOURNEY
- 2008 MAGNUM
- 2007-11 NITRO
- 2009-12 RAM

Jeep

- 2008-10 COMMANDER
- 2009-15 COMPASS
- 2008-10 GRAND CHEROKEE
- 2008-12 LIBERTY
- 2009-15 PATRIOT
- 2007-15 WRANGLER
- 2007-15 WRANGLER UNLIMITED

Mitsubishi

- 2008-09 RAIDER

Volkswagen

- 2009-13 ROUTON



American International

WWW.AIUS.NET

2500 East Francis Street Ontario, CA 91761, U.S.A.
USA Sales (800) 336-6500

CUSTOMER HELP LINE
USA 800-323-4329

iCDK642

2009-12 DODGE CALIBER
2009-14 DODGE CHALLENGER
2009-14 JEEP COMPASS
2009-14 JEEP PATRIOT

DASH DISASSEMBLY INSTRUCTIONS

1. Carefully Unclip and move the shifter trim cover to the side.
2. Carefully Unclip and pull forward the Radio/Climate control trim panel (do not remove the panel until the Climate Controls have been removed from the panel).
3. Remove the (4) Phillips screws securing the climate control module to the back of the Radio/Climate control trim panel. Remove trim panel.
4. Remove (4) 7MM screws securing the radio to the sub-dash.
5. Carefully disconnect all attached harnesses and antenna lead from the radio and remove radio.

NOTE: The metal bracket in the sub-dash will need to be removed for installation of a Double DIN radio.

• ISO MOUNTING DEFINITION

ISO mounting an aftermarket radio is using the brackets and trim ring supplied with the installation kit.

2007-2012 CHRYSLER SEBRING

DASH DISASSEMBLY INSTRUCTIONS

1. Carefully remove panel covering radio that includes vents, and clock.
2. Disconnect all harnesses and remove panel.
3. Remove (4) 7mm screws securing radio in place.

2007-2014 DODGE AVENGER

DASH DISASSEMBLY INSTRUCTIONS

1. Remove small trim panel surrounding shifter.
2. Remove trim covering around outer shifter and lighter area.
3. Starting at the bottom at lighter location carefully remove the entire dash bezel covering the heater controls, radio and vents.
4. Unplug all harnesses and set dash bezel aside.
5. Using #20 torx (T20) bit remove the (4) screws holding radio in sub dash.

NOTE: when installing a double din radio it will be necessary to remove the metal plate located behind the radios location. There are (3) #20 torx screws holding in plate secure. Remove and save for factory radio reinstall.

2008-10 CHRYSLER 300
2008-10 DODGE CHARGER
2008 DODGE MAGNUM

DASH DISASSEMBLY INSTRUCTIONS

1. Carefully unclip and pull forward the Radio/Climate Control trim bezel.
2. Disconnect all attached wire harnesses and remove trim bezel.
3. Remove the (4) screws securing the radio to the sub-dash.
4. Pull the radio forward, disconnect all attached harnesses and the antenna lead and remove radio.

**2008-09 CHRYSLER ASPEN
2008-09 DODGE DURANGO**

DASH DISASSEMBLY INSTRUCTIONS

1. Carefully lift upward to unclip and remove the center console Cup holder/storage Trim assembly.
2. Remove the (2) screws located at the lower edge of the radio/climate control trim bezel.
3. Carefully unclip the entire Radio/Climate Control trim bezel, pull the bezel forward, disconnect all attached wire harnesses and remove trim bezel.
4. Remove the (4) screws securing the radio to the sub-dash.
5. Pull the radio forward, disconnect all attached harnesses and the antenna lead and remove radio.

**2008-14 CHRYSLER TOWN & COUNTRY
2008-14 DODGE GRAND CARAVAN**

DASH DISASSEMBLY INSTRUCTIONS

1. Remove the (2) beauty caps located directly above the radio and remove the (2) screws from these locations.
2. Carefully lift up on the panel located above the top edge of the radio to expose the (2) Phillips screws securing the radio trim bezel and remove the (2) phillips screws.
3. Remove the (3) plastic push in type panel clips from each side of the lower forward console shroud, pull the shroud towards you to remove and reveal the 2 screws located at the bottom edge of the radio trim bezel, remove the (2) screws.
4. Carefully unclip the Radio/Climate Control trim bezel, disconnect all attached harnesses and remove bezel.
5. Remove the (4) Phillips screws securing the radio to the sub-dash.
6. Pull the radio forward, disconnect all attached harnesses and antenna lead and remove radio.

**2008-11 DODGE DAKOTA
2008-09 MITSUBISHI RAIDER**

DASH DISASSEMBLY INSTRUCTIONS

1. Carefully Unclip the Radio/Climate Control trim panel assembly, disconnect all attached harnesses and remove assembly.
2. Remove the (4) screws securing the radio to the sub-dash.
3. Pull the radio forward, disconnect all attached harnesses and antenna lead and remove radio.

2009-10 DODGE JOURNEY

DASH DISASSEMBLY INSTRUCTIONS

1. Open the compartment above the Center dash vents.
2. Carefully unclip the Radio/Climate Control trim bezel.
3. Disconnect any attached harnesses and remove Trim bezel.
4. Remove the (4) screws securing the radio to the sub-dash.
5. Pull the radio forward, disconnect all harnesses and antenna lead and remove radio.

NOTE: When installing a Double Din radio, it will be necessary to either remove the metal plate located behind the radio or modify it.

**2007-11 DODGE NITRO
2008-12 JEEP LIBERTY**

DASH DISASSEMBLY INSTRUCTIONS

1. Carefully remove panel covering radio, climate controls and vents.
2. Remove (4) 7 mm screws securing radio in place.

**2008-10 JEEP COMMANDER
2008-10 JEEP GRAND CHEROKEE**

DASH DISASSEMBLY INSTRUCTIONS

1. Carefully unclip and remove the thin trim ring on the top of the Shift trim panel.
2. Carefully unclip and remove the Lower Shift trim panel.
3. Remove the single Phillips screw located inside the pocket at the base of the Radio / Climate control trim bezel.
4. Carefully unclip the entire Radio / Climate Control bezel assembly, disconnect all attached harnesses and remove bezel assembly.
5. Remove the (4) screws securing the radio to the sub-dash.
6. Pull the radio forward, disconnect all harnesses and antenna lead and remove radio.

2007-14 JEEP WRANGLER

DASH DISASSEMBLY INSTRUCTIONS

1. Remove the center trim panel located below the climate controls
2. Remove the (2) Phillips screws holding the lower dash secure
3. Remove the trim panel located above the radio
4. Remove the (2) Phillips screws holding the upper dash secure
5. Remove the panel covering the radio, climate controls and vents
6. Remove the (4) 7mm screws securing the radio in place

NOTE: When installing a double din radio it will be necessary to remove the metal plate located behind the radios location.