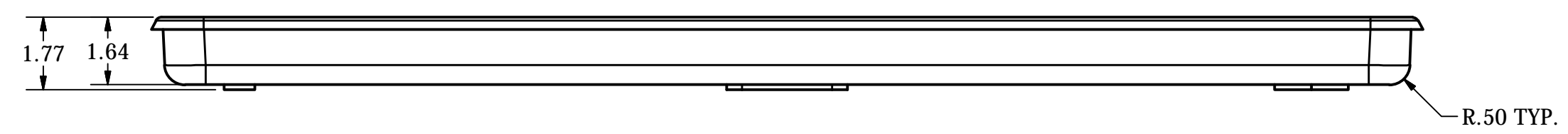
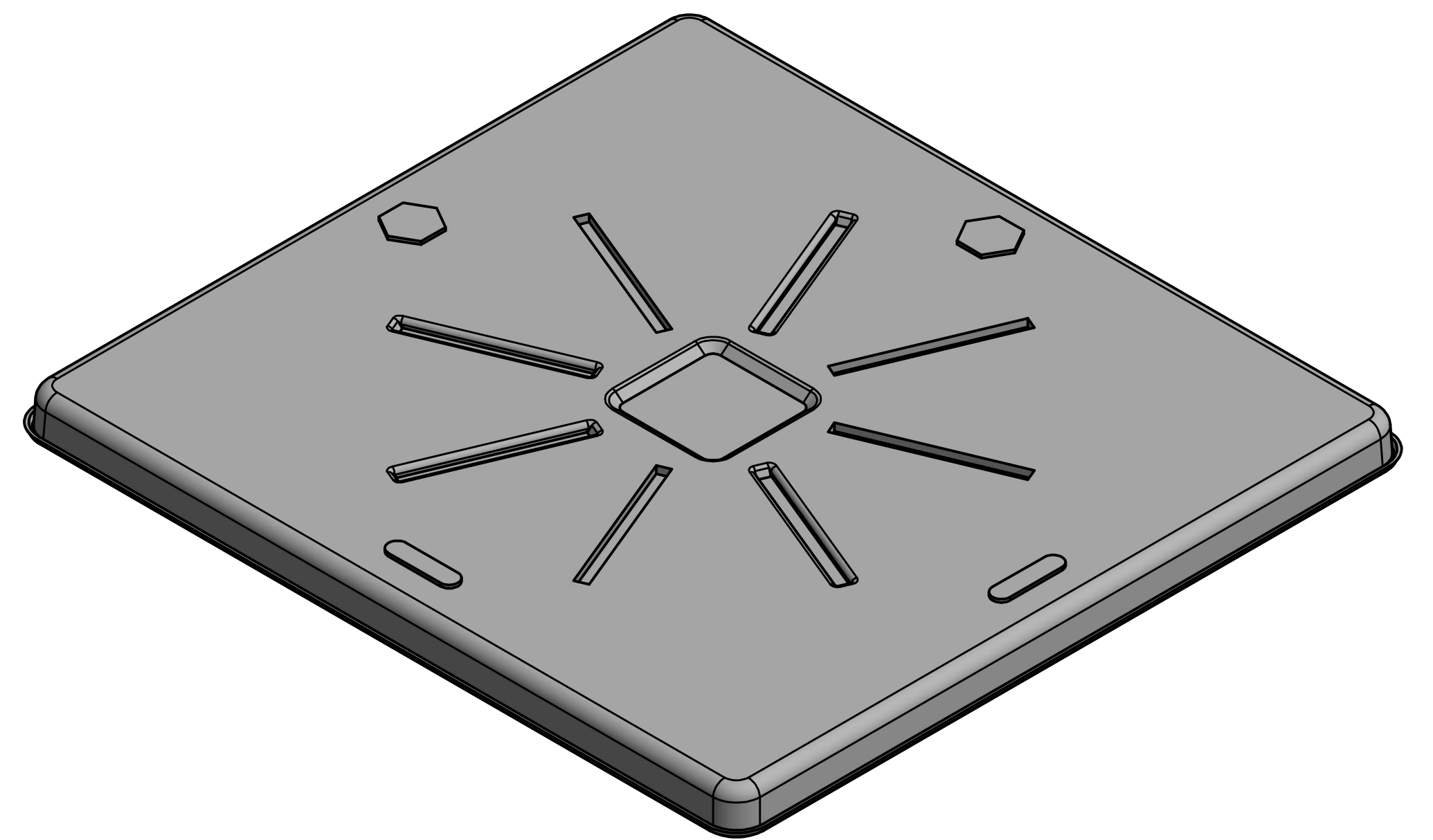
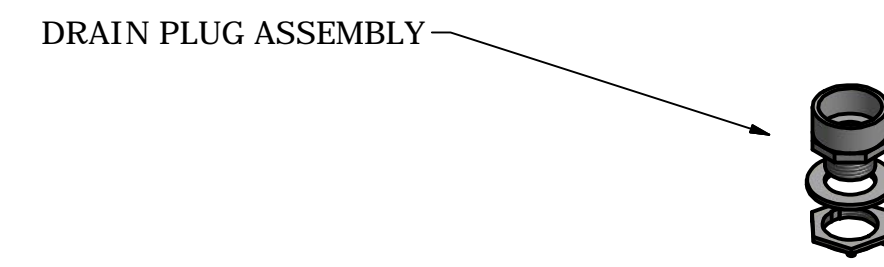
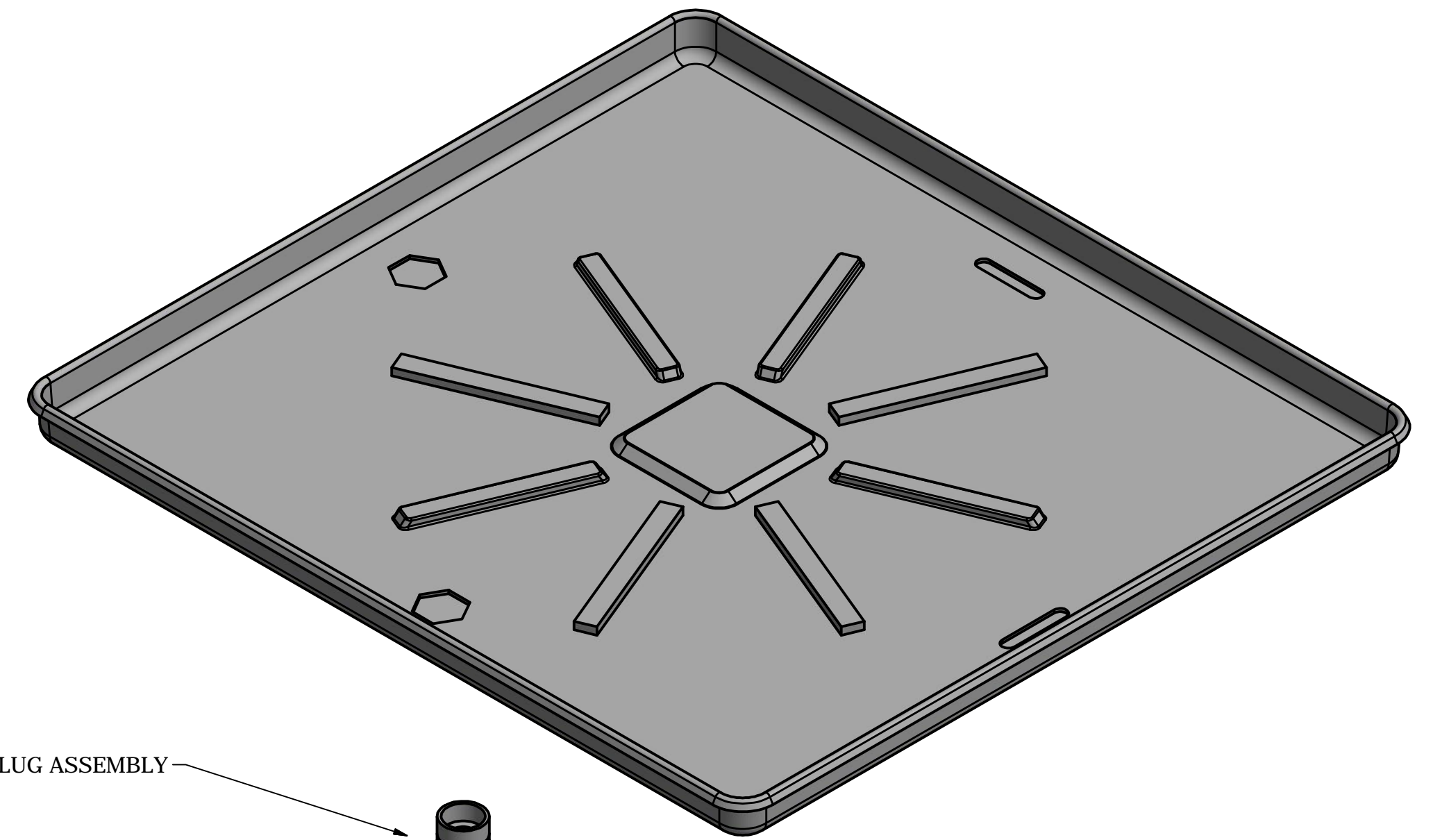
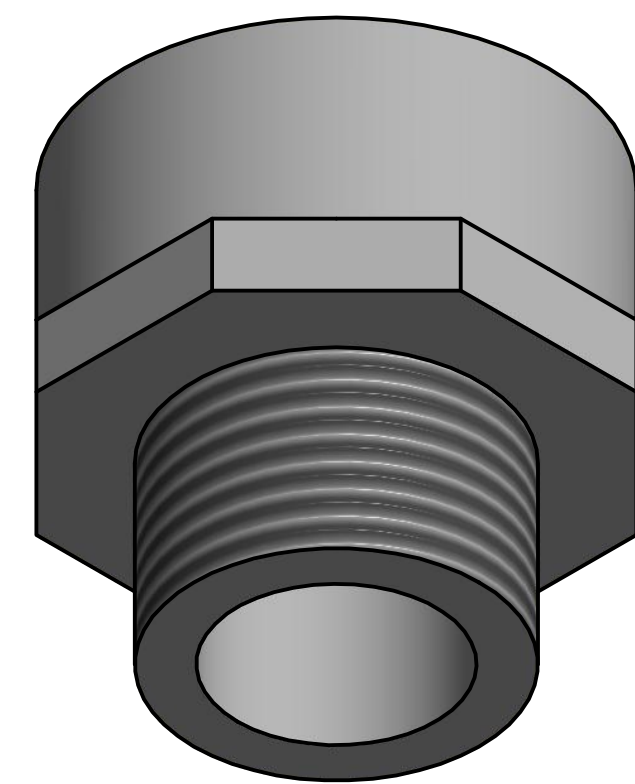
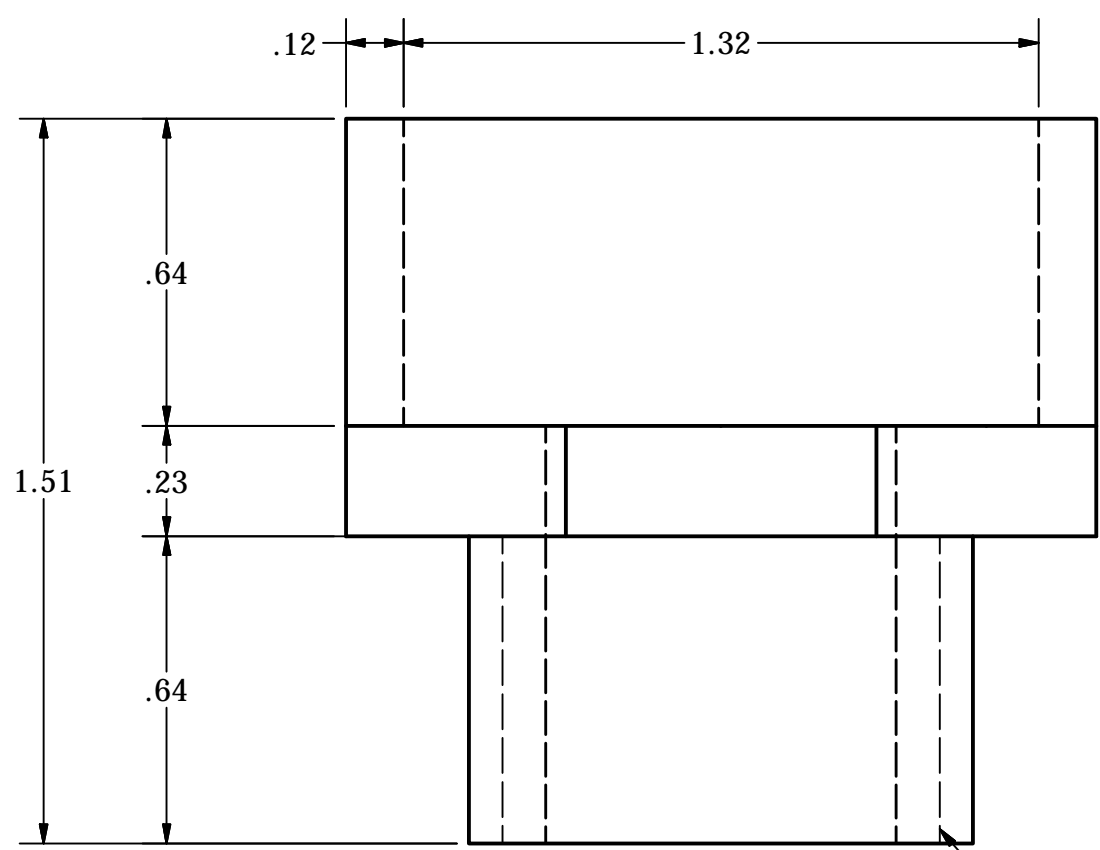
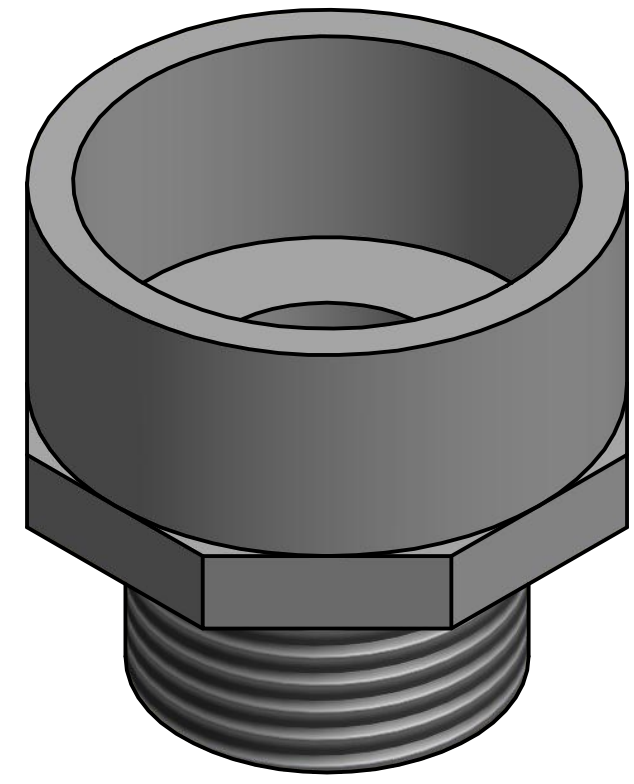
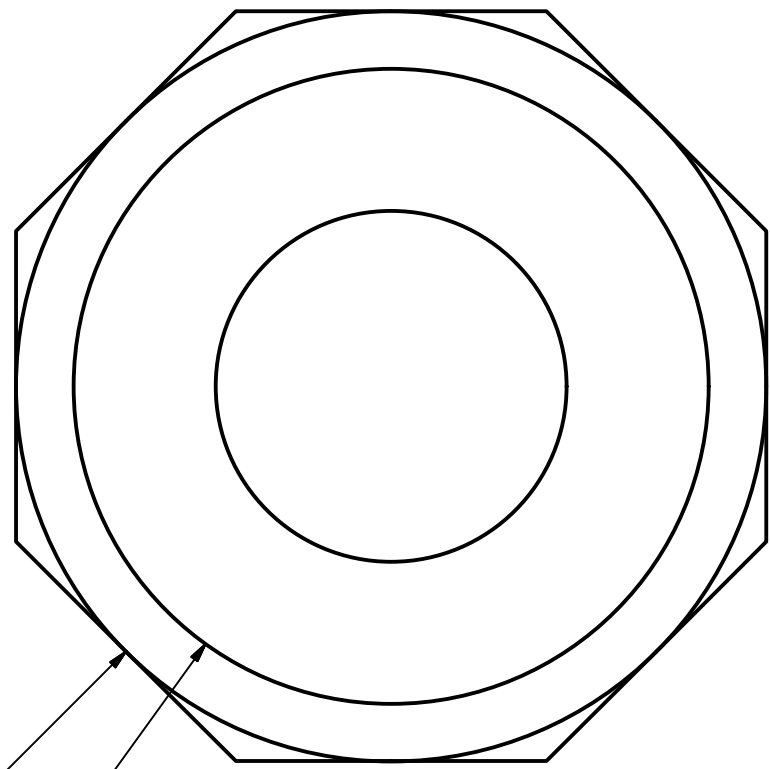


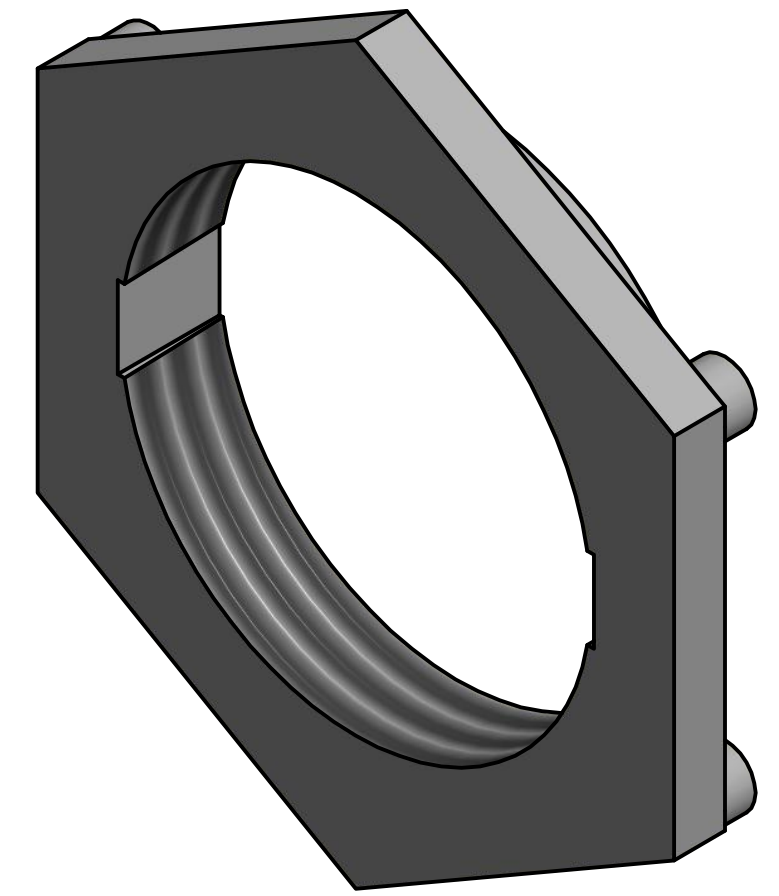
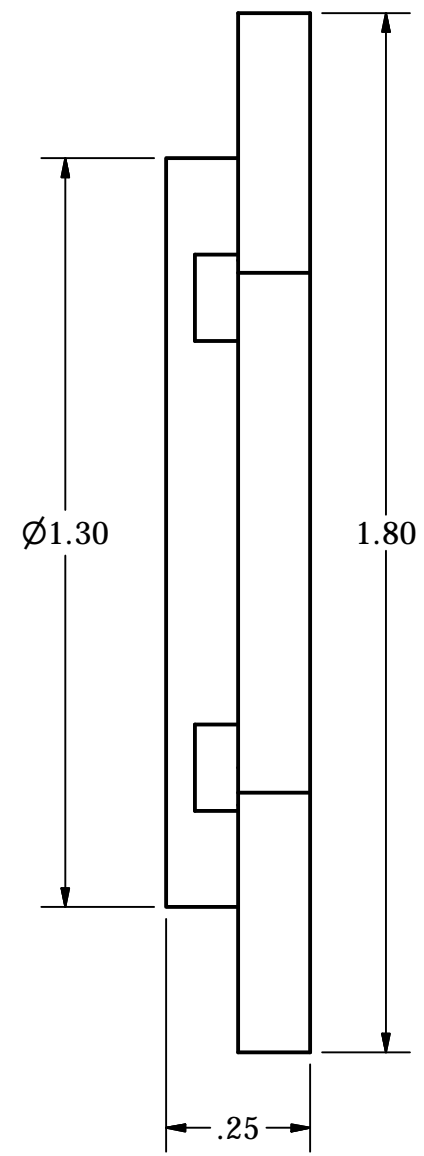
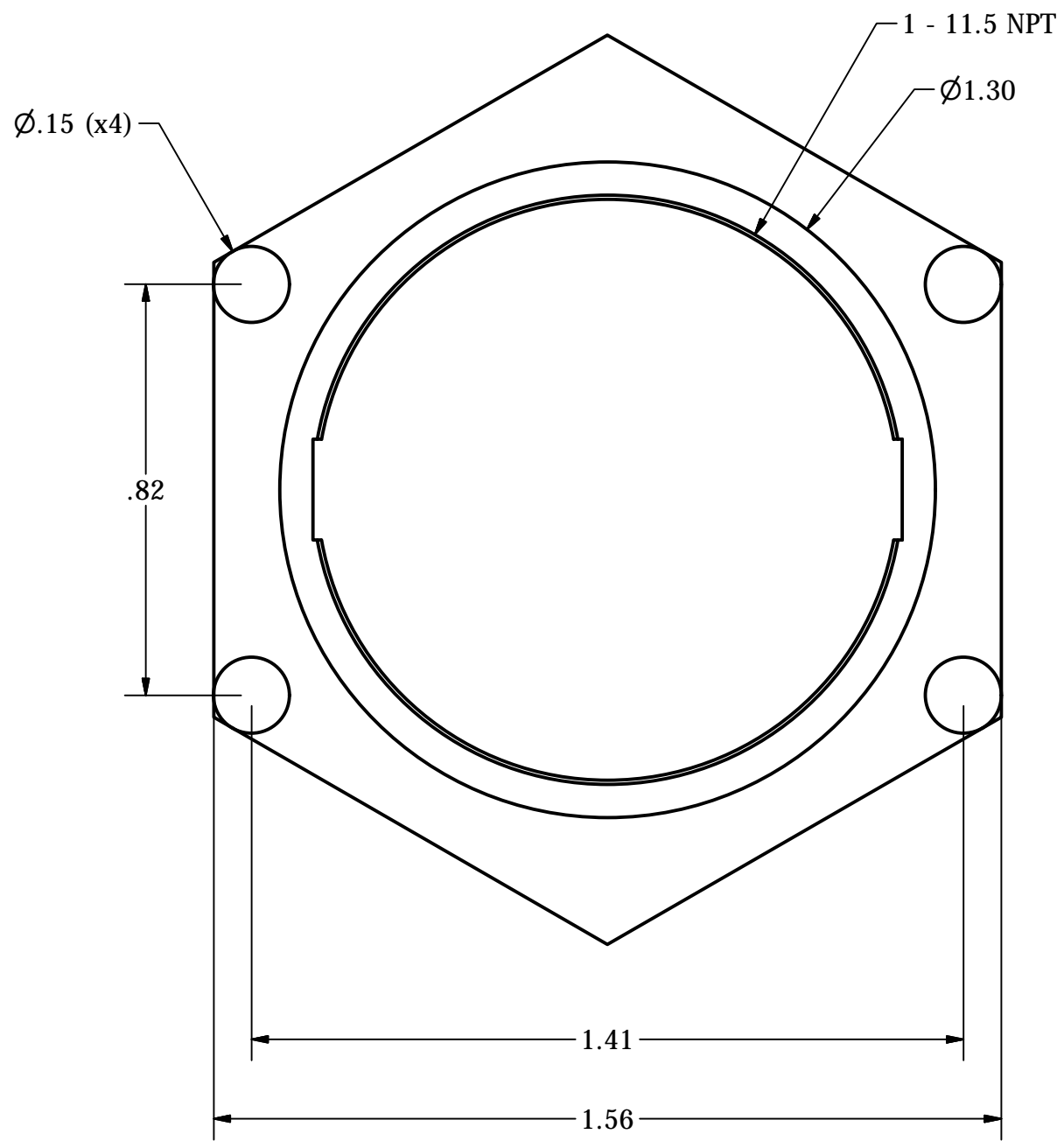
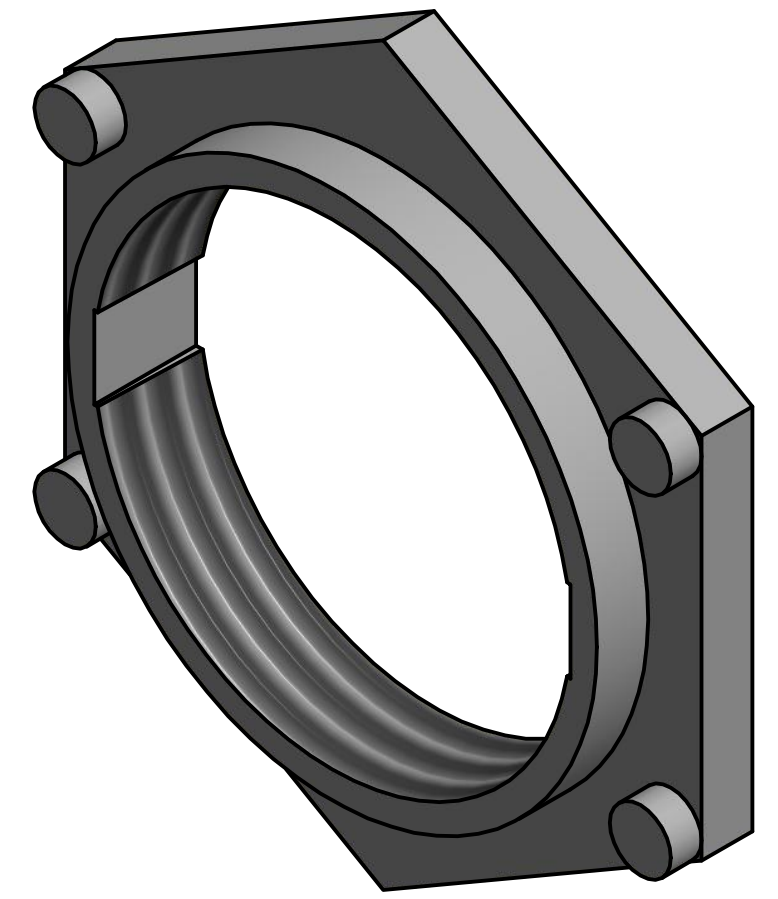
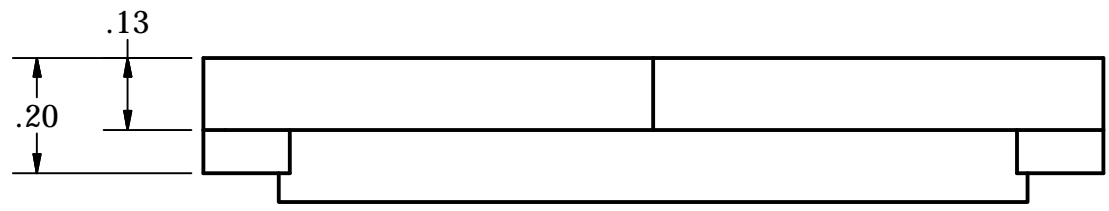
SECTION A-A



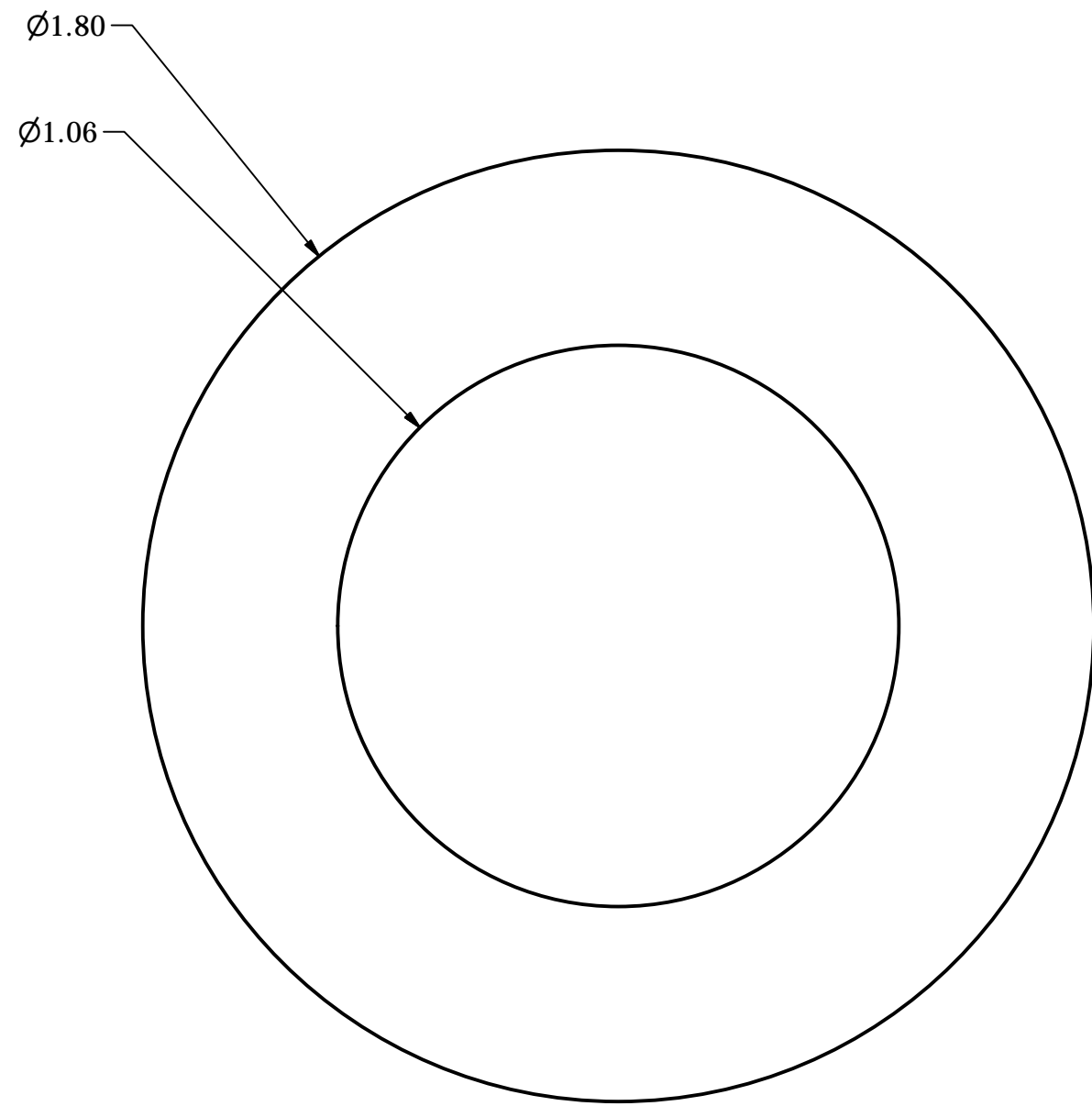
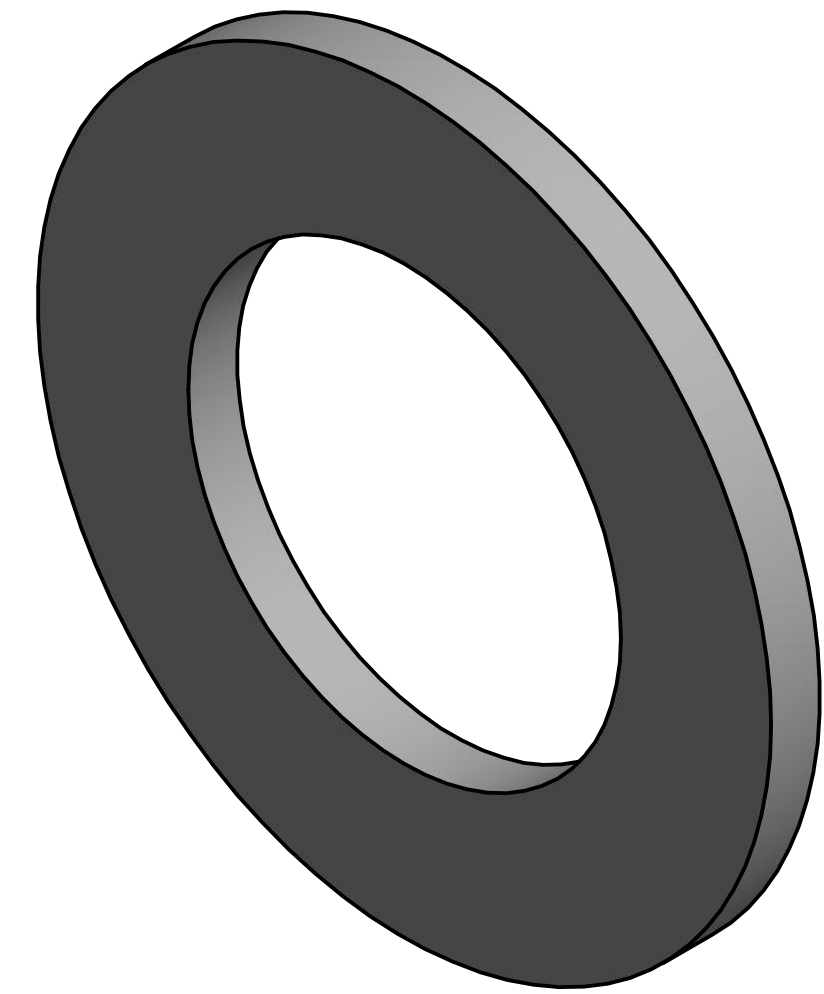
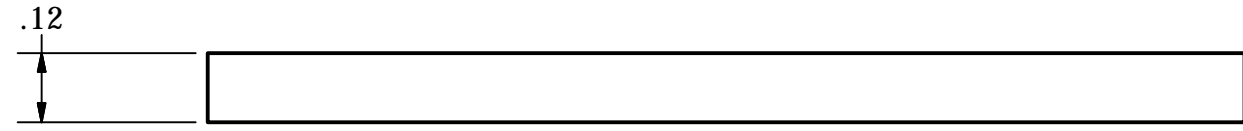
DRAWN	JOSEPH VALENTI	9/1/2014	LAMBRO INDUSTRIES, INC.		
CHECKED			TITLE		
QA			SMALL PAN		
MFG			SIZE	DWG NO	REV
APPROVED			D	SMALL DRAIN PAN	
			SCALE		SHEET 1 OF 1



DRAWN JOSEPH VALENTI		9/1/2014		LAMBRO INDUSTRIES, INC.	
CHECKED				TITLE	
QA				FITTING	
MFG					
APPROVED					
		SIZE	DWG NO	REV	
		C	FITTING		
		SCALE	SHEET 1 OF 1		



DRAWN JOSEPH VALENTI		9/1/2014		LAMBRO INDUSTRIES, INC.	
CHECKED				TITLE	
QA				LOCK NUT	
MFG				SIZE	
APPROVED				C	
		SCALE		DWG NO	
				NUT	
				REV	
				SHEET 1 OF 1	



DRAWN	JOSEPH VALENTI	9/1/2014	LAMBRO INDUSTRIES, INC.		
CHECKED			TITLE		
QA			RUBBER SEAL		
MFG			SIZE	DWG NO	REV
APPROVED			C	SEAL	
			SCALE	SHEET 1 OF 1	