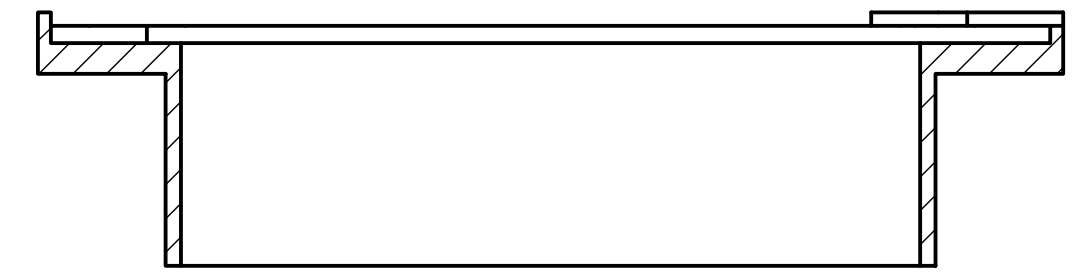
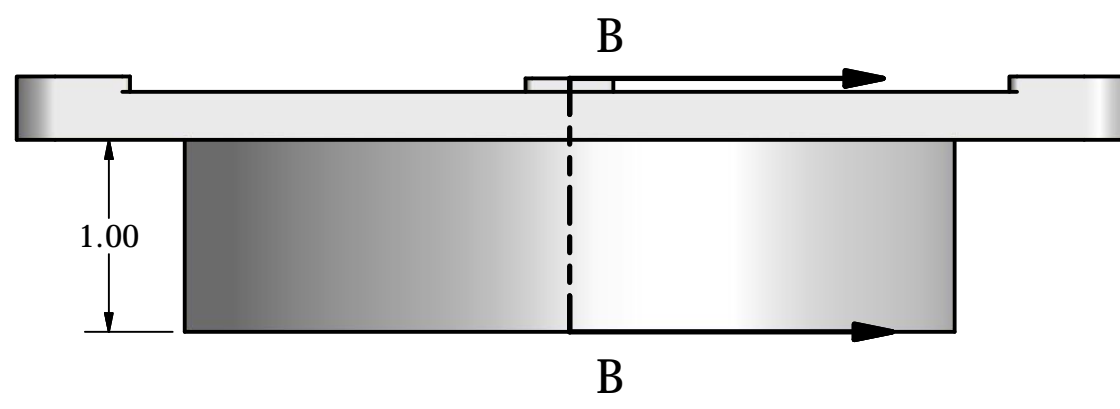
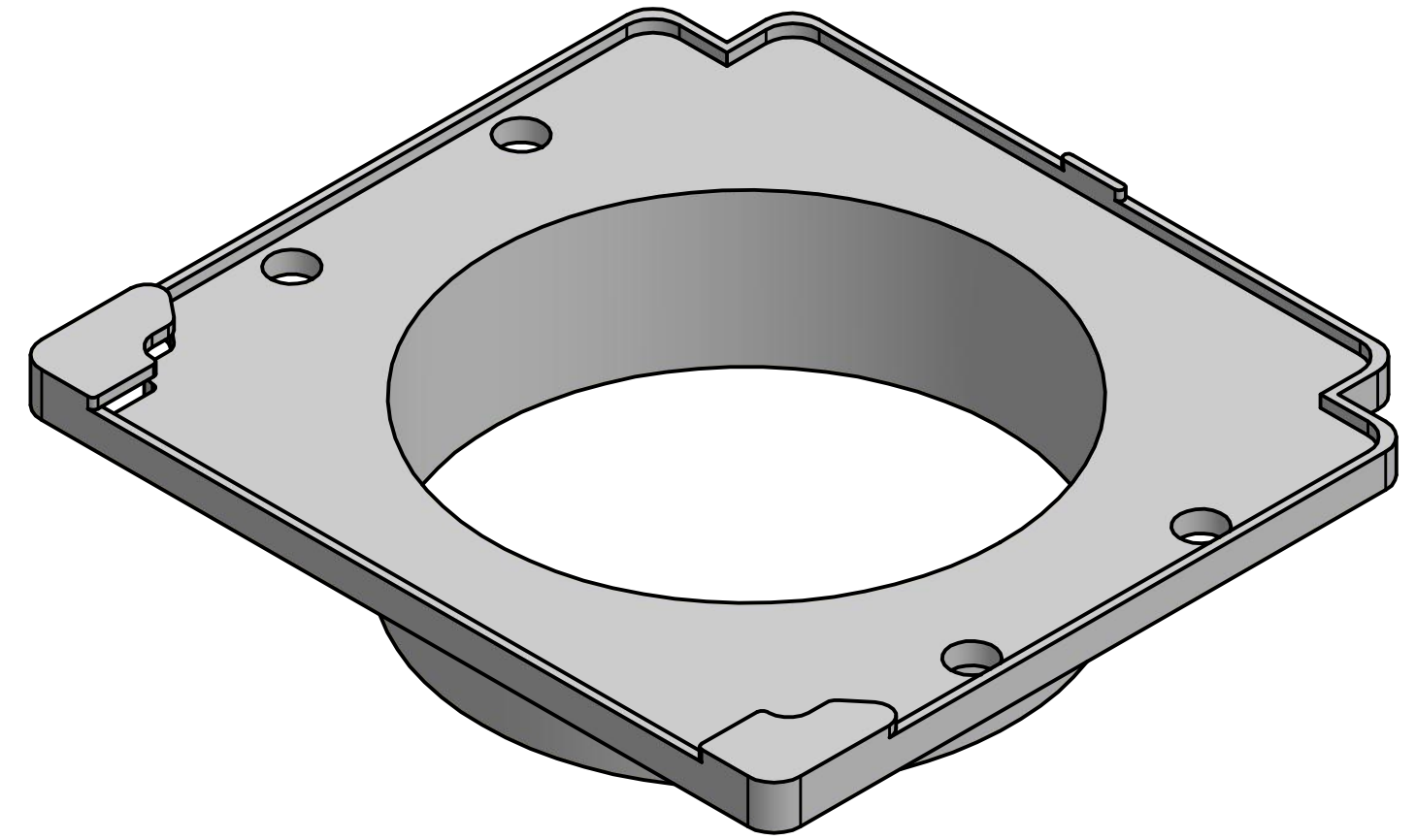
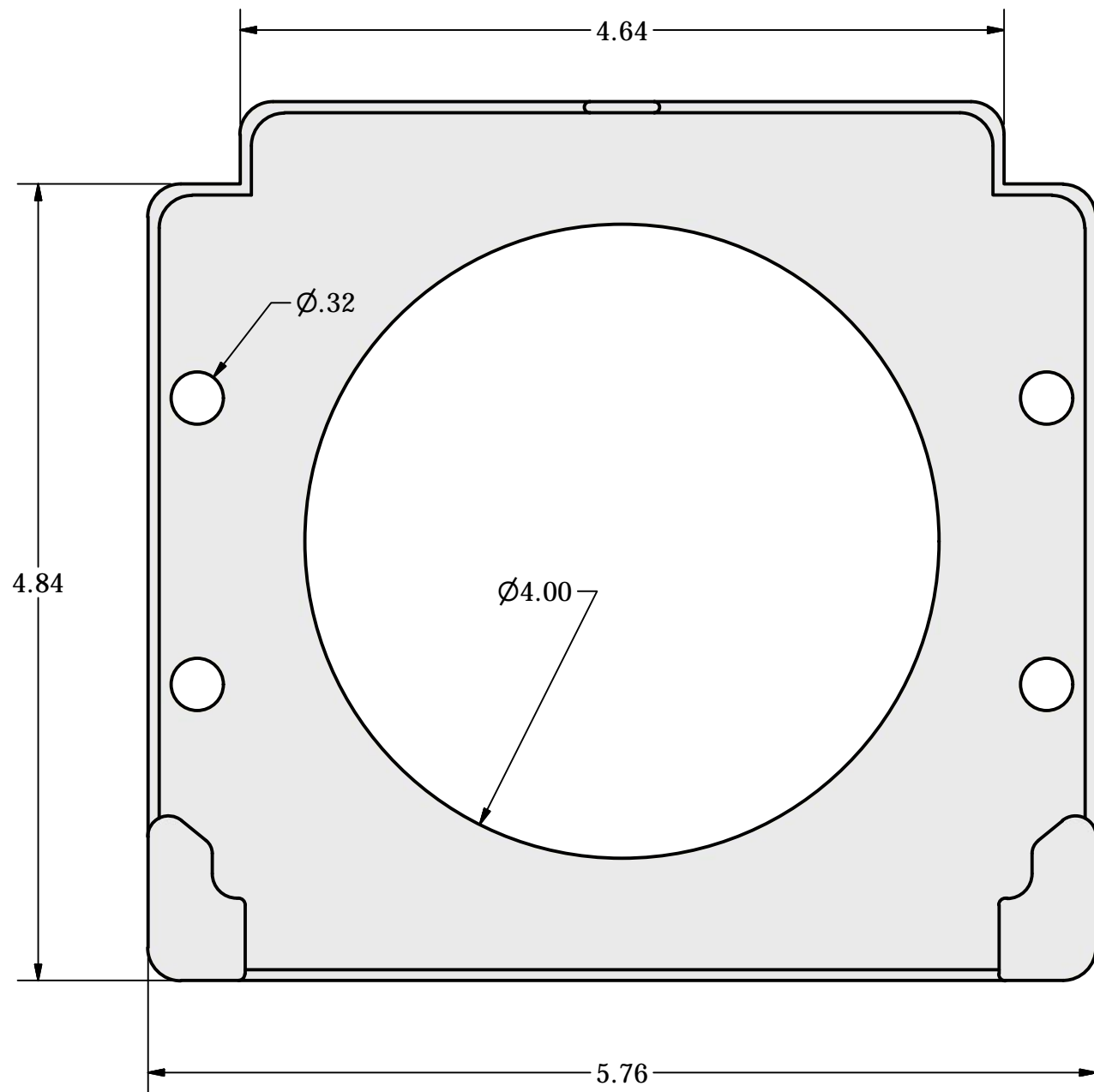


DRAWN George Awad	10/1/2013	Lambro		
CHECKED		TITLE		
QA		4" Under Eave Vent		
MFG		SIZE	DWG NO	REV
APPROVED		C	143W	
		SCALE	SHEET 1 OF 1	

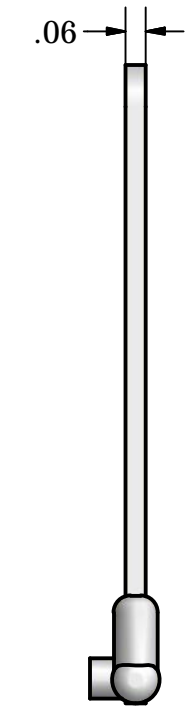
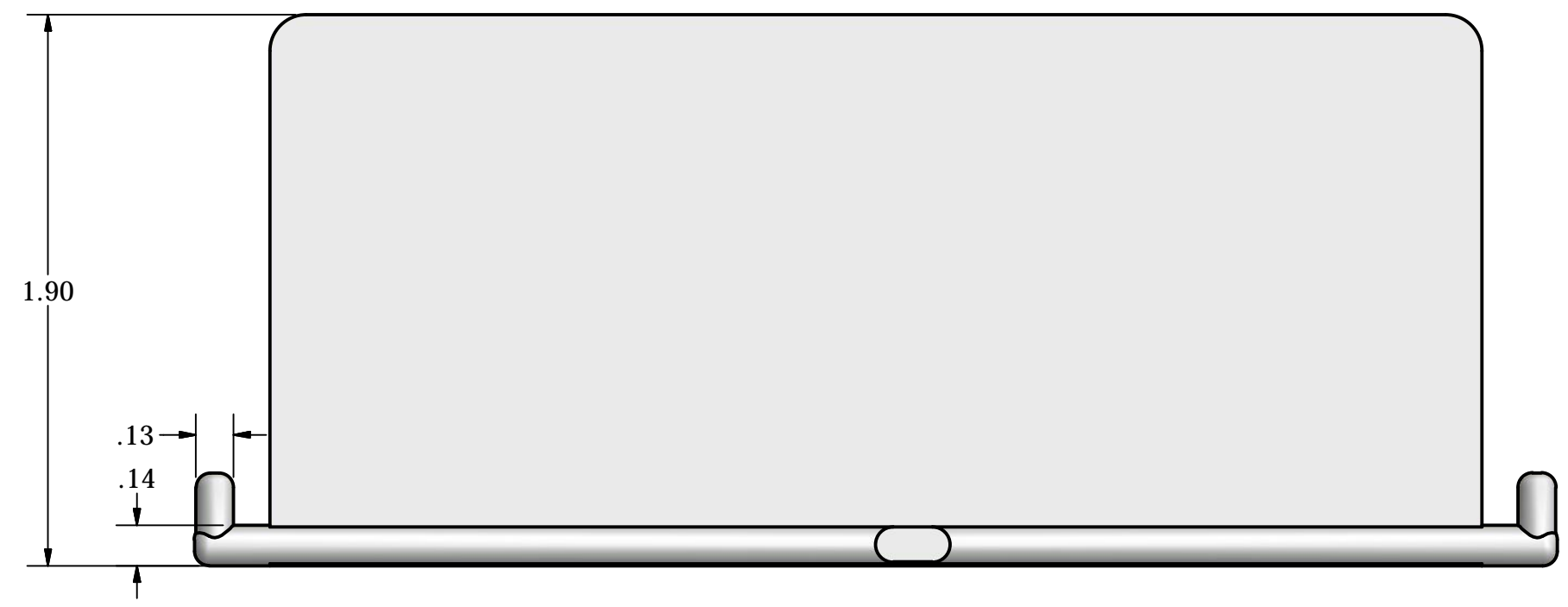
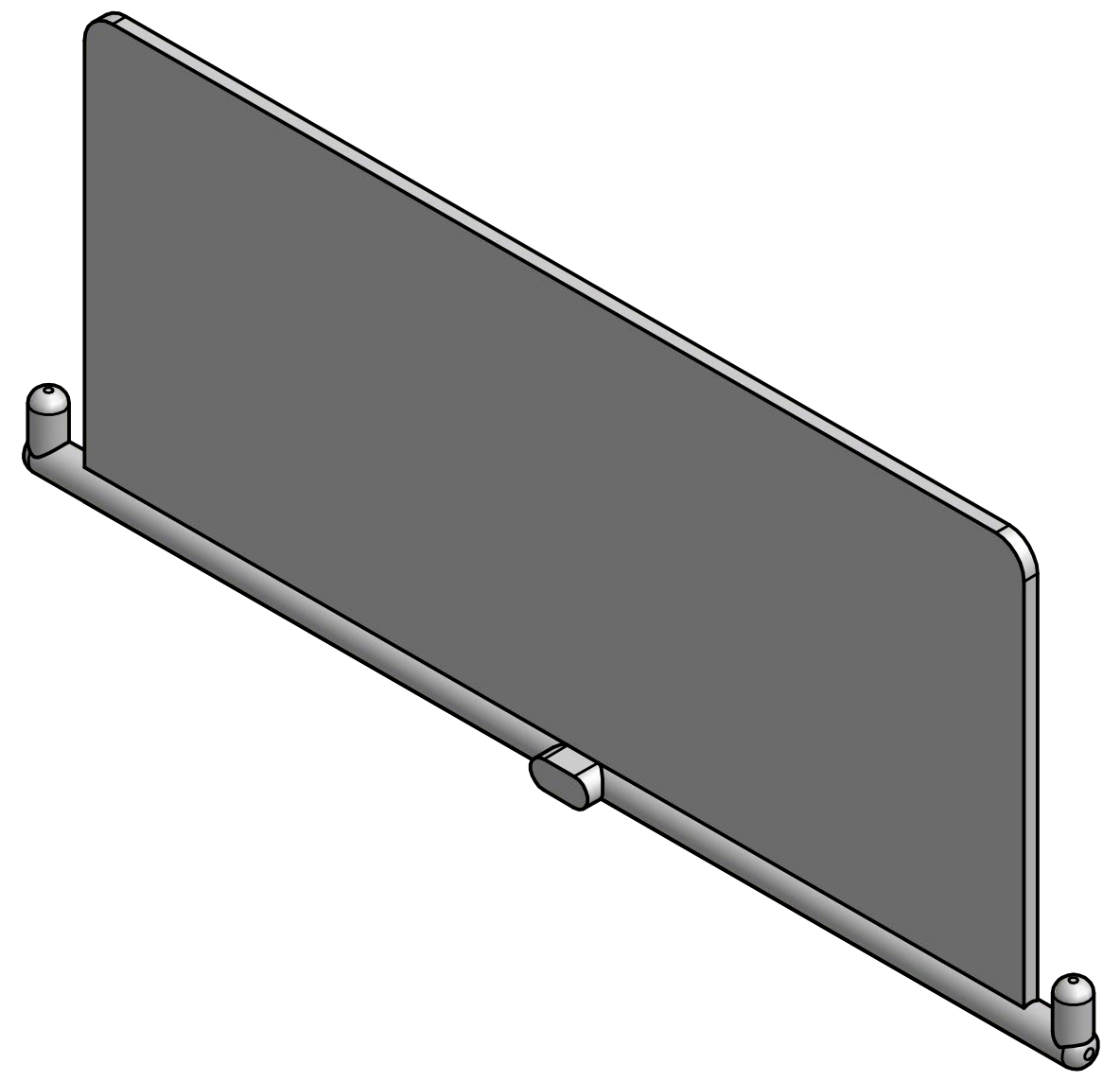
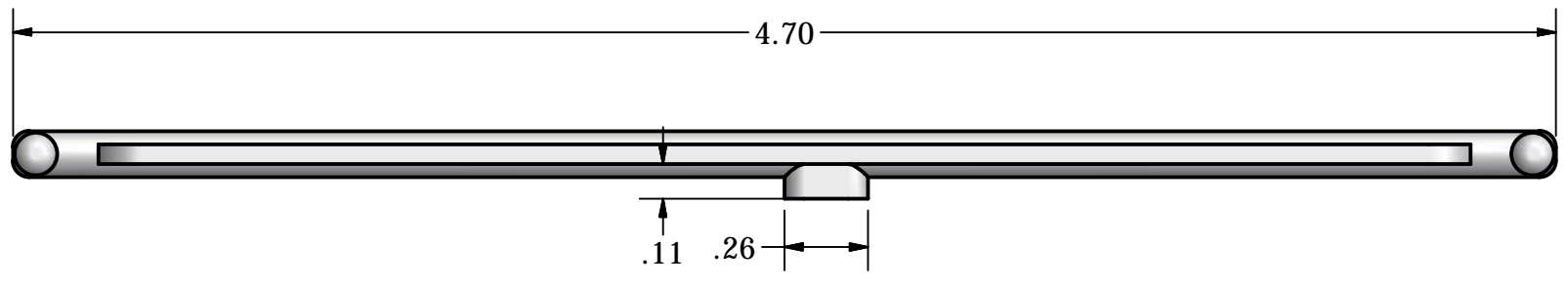


SECTION B-B
SCALE 1 : 1

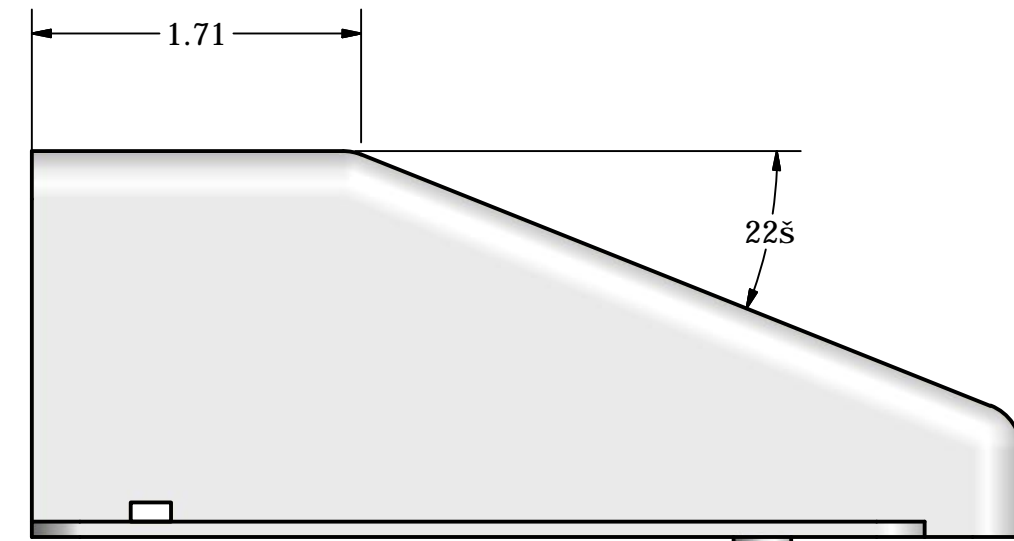
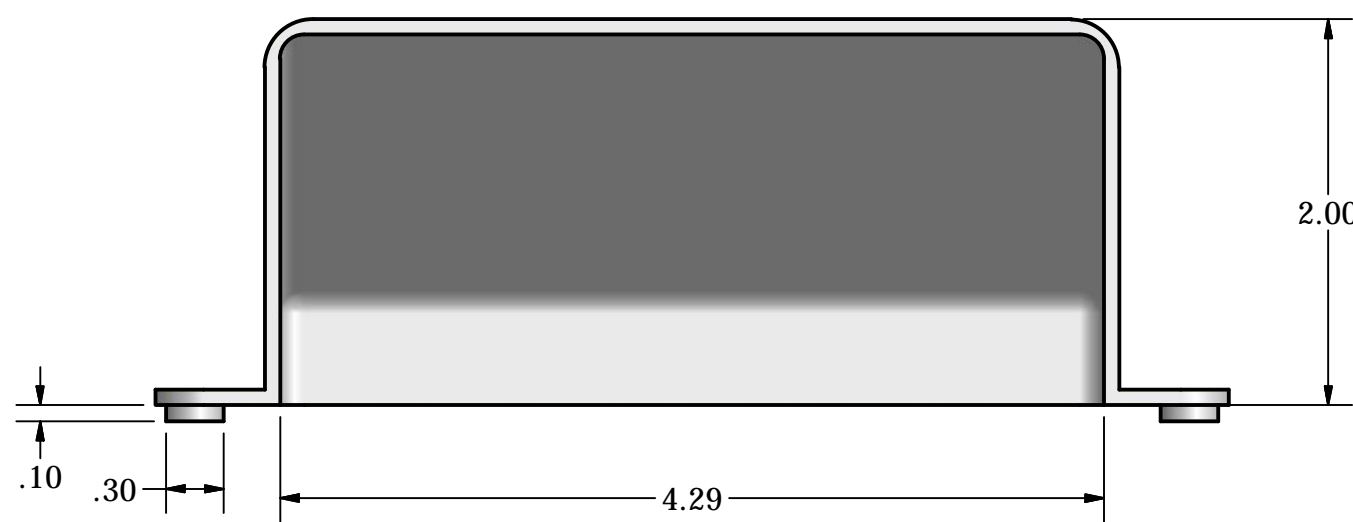
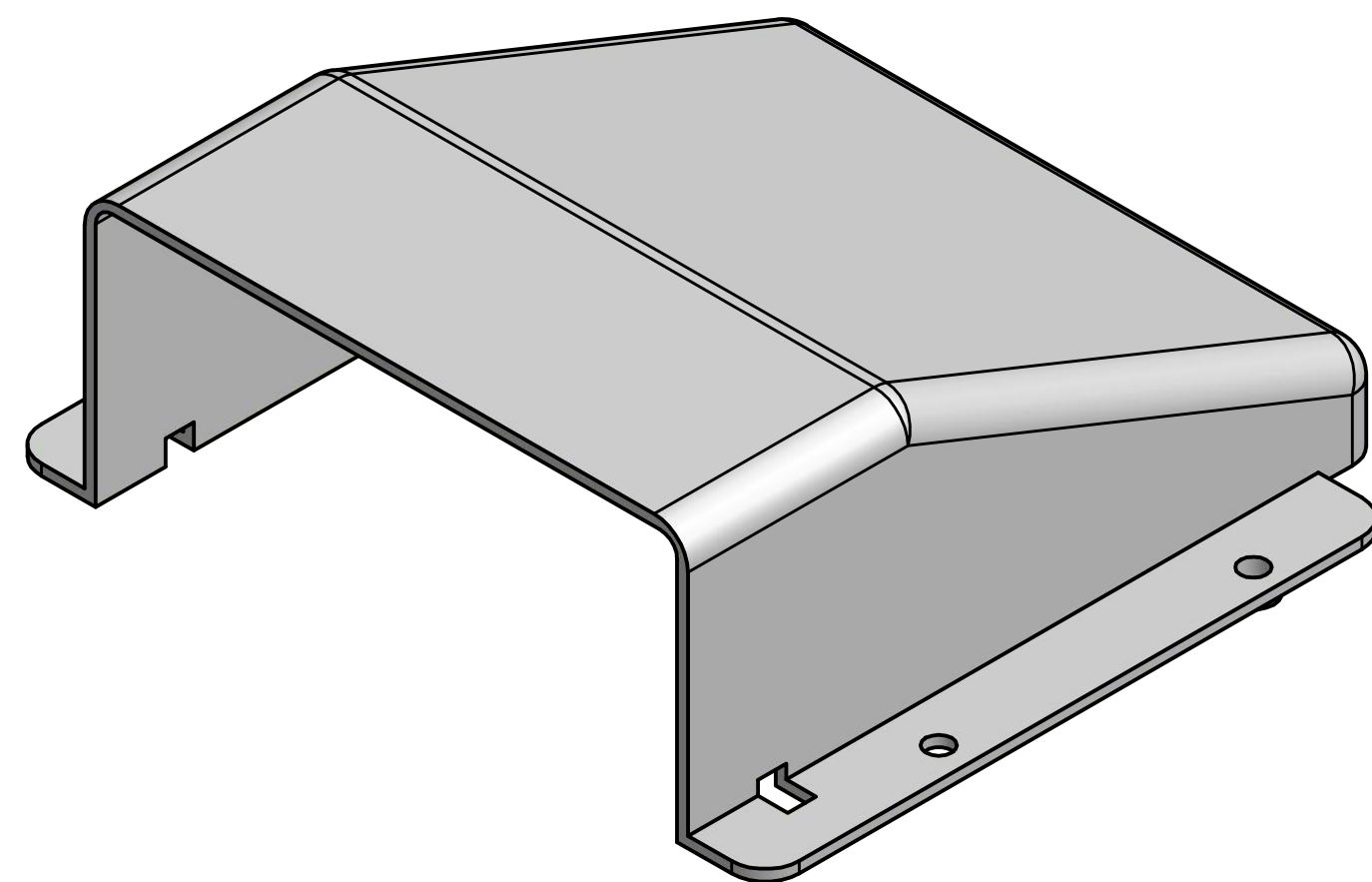
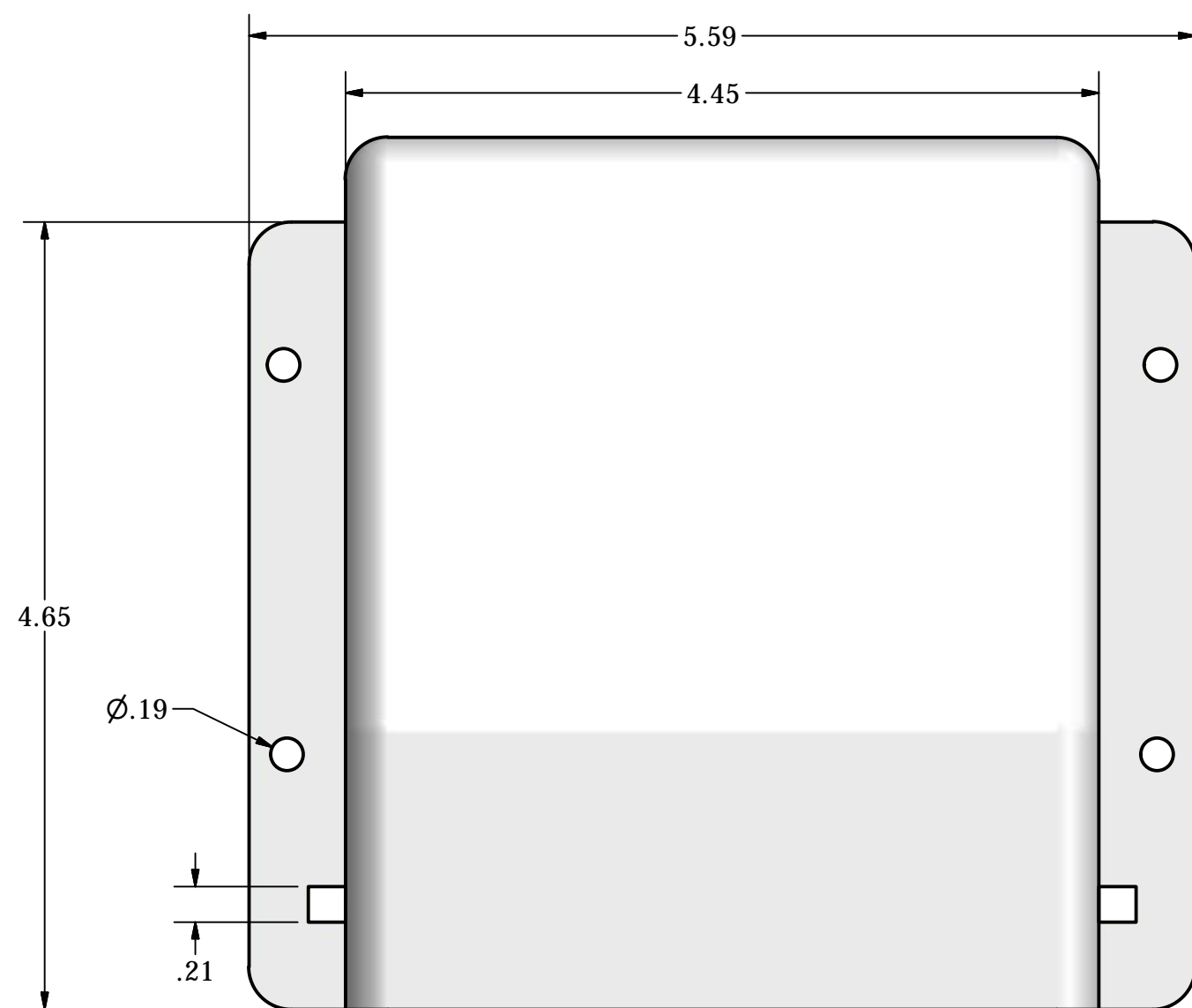
DRAWN George Awad	10/1/2013	Lambro		
CHECKED		TITLE		
QA		4" Under Eave Vent - Base		
MFG		SIZE	DWG NO	REV
APPROVED		C	00143WA01	
		SCALE	SHEET 1 OF 1	

PRODUCED BY AN AUTODESK EDUCATIONAL PRODUCT

PRODUCED BY AN AUTODESK EDUCATIONAL PRODUCT



DRAWN George Awad	10/1/2013	Lambro		
CHECKED		TITLE		
QA		4" Under Eave Vent - Flap		
MFG		SIZE	DWG NO	REV
APPROVED		C	00143WA03	
		SCALE	SHEET 1 OF 1	



DRAWN George Awad	10/1/2013	Lambro		
CHECKED		TITLE		
QA		4" Under Eave Vent - Top		
MFG		SIZE	DWG NO	REV
APPROVED		C	00143WA02	
		SCALE	SHEET 1 OF 1	