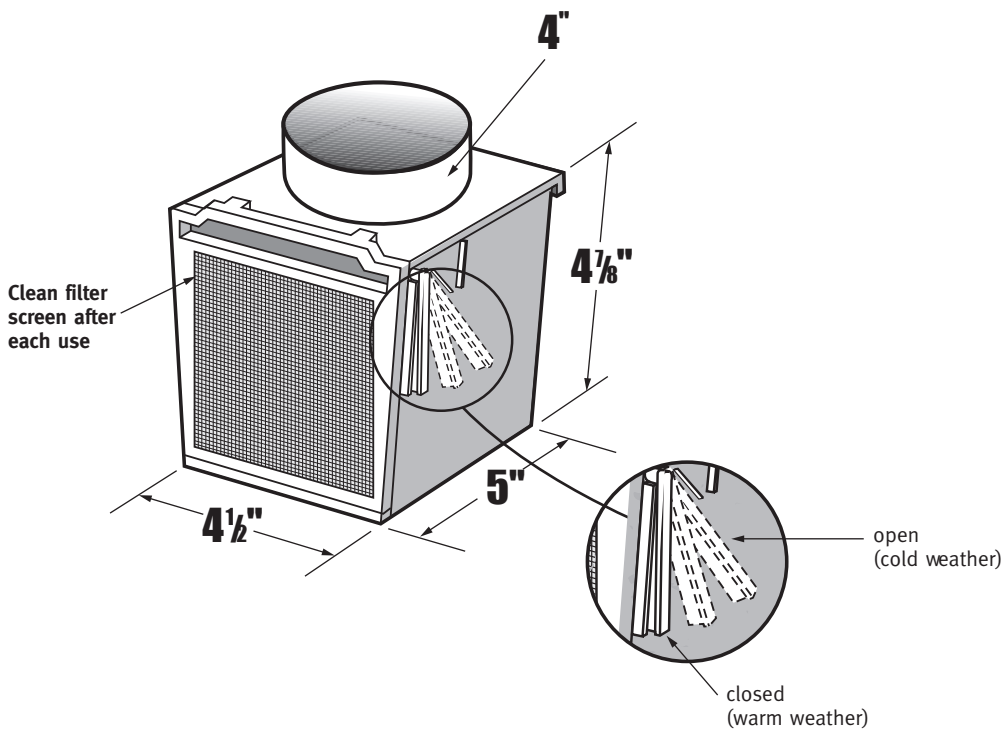


Extra Heat® Dryer Heat Saver

Hooks to your dryer vent hose and deflects heat from your dryer into room



MODEL NO.	DESCRIPTION
EX12	Extra Heat® Dryer Heat Saver

GENERAL INFORMATION

- Use with UL Listed Supurr-Flex® Clothes Dryer Transition Duct (not included)
- Quick, easy installation, fits any clothes dryer
- Saves the heat from your clothes dryer and diverts it into your room
- Saves energy and money
- Please follow these **Safety Warnings**:
 - Do not vent gas clothes dryer into bathroom or bedroom
 - In small room open doors for adequate distribution of heat and moisture
 - Some building codes may restrict the use of this product, always check the local codes in your area
- Deflects heat and humidity into the home in cold weather
- Deflects heat outside during warm weather

PERFORMANCE DATA

For Extra Heat® hook up

Material

- Calcium filled polypropylene, white plastic with molded in metal lint screen (container)
- Polypropylene plastic, 4" clamps for dryer vent duct

Melting Point

- Approximately 325°F