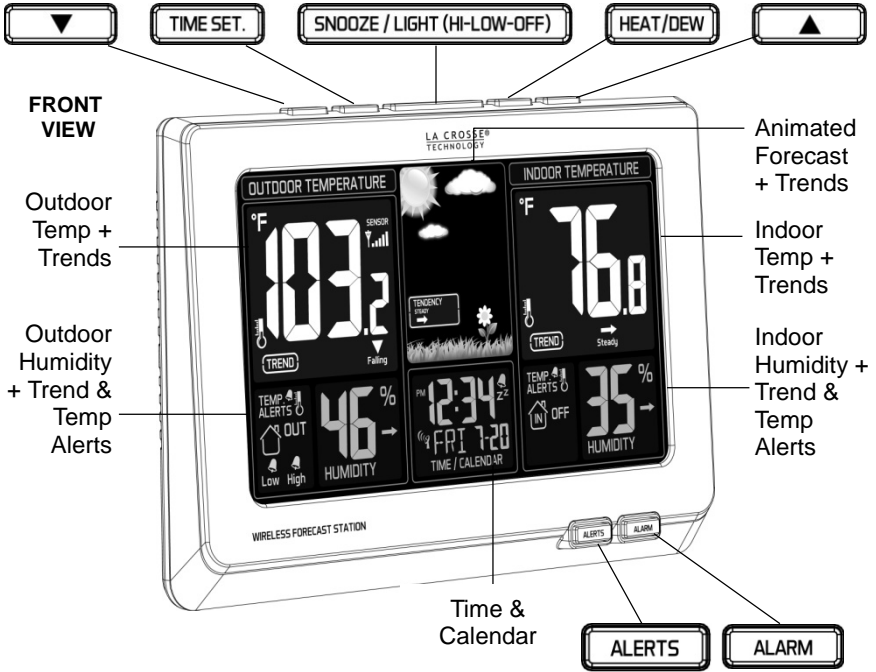
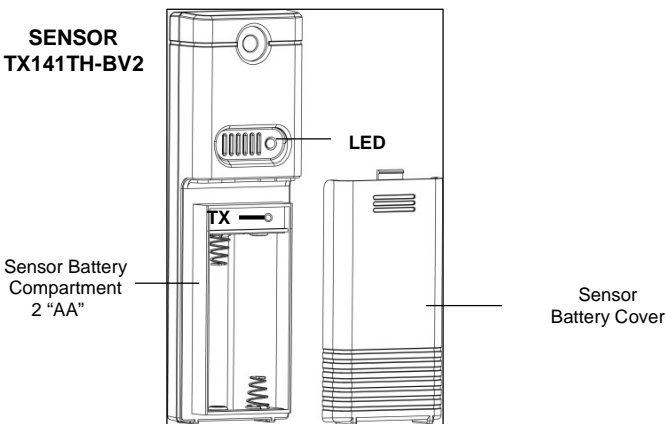
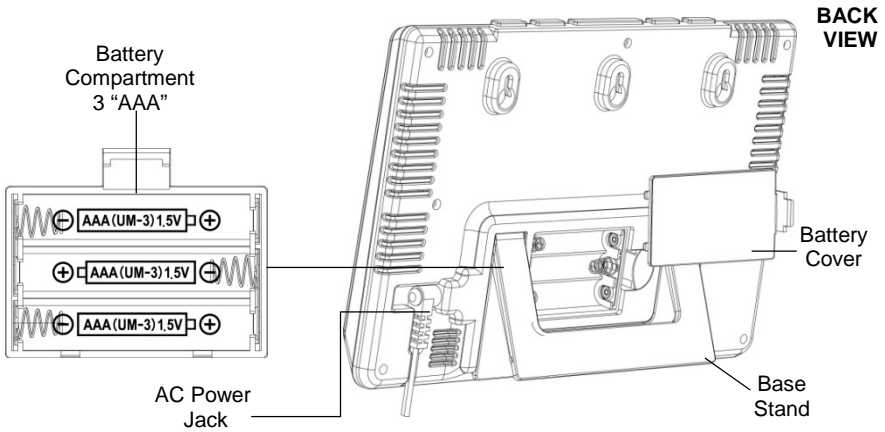


WIRELESS COLOR WEATHER STATION



SENSOR TX141TH-BV2





GET STARTED

- 1: Insert the included 5-volt AC power adapter into the weather station and then into wall outlet.
- 2 **(Optional)**: Insert 3 new "AAA" batteries (not included) into the weather station. Observe the correct polarity.
- 3: Insert 2 new "AA" batteries (not included) into TX141TH-Bv2 sensor. Observe the correct polarity. The red LED will flash when transmitting.
- 4: After 5 minutes, place sensor in a shaded outdoor location.

SET TIME, DATE AND TEMPERATURE UNITS

Note: Only press or hold one button at a time.

1. Hold the **TIME SET** button 3 seconds to enter time set mode.
2. Press and release the ▼ or ▲ buttons to adjust values.
3. Press and release the **TIME SET** button to confirm adjustments and move to the next item.

Settings order:

1. WWVB ON/OFF
2. Time Zone
3. Daylight Saving Time
4. 12/24 Hour Time Format
5. Hour
6. Minutes
7. Year,
8. Month
9. Date
10. Fahrenheit/Celsius

TIME ZONE	
AST	Atlantic
EST	Eastern
CST	Central
MST	Mountain
PST	Pacific
AKT	Alaska
HAT	Hawaiian

Press and release the **TIME SET** button to exit, or wait 20 seconds without pressing buttons to return to the time display.

SET TEMPERATURE ALERTS

1. Hold the **ALERTS** button for 3 seconds.
2. The temperature alert value will blink in set mode.
3. Press and release the ▼ or ▲ buttons to adjust alert values.
4. Press and release the **ALERTS** button to confirm & move to the next alert.

The temperature alert order:

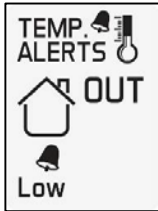
1. Outdoor High
2. Outdoor Low
3. Indoor High
4. Indoor Low

Press and release the **ALERTS** button to exit, or wait 20 seconds without pressing buttons to return to normal time display

ARM / DISARM TEMPERATURE ALERTS

Press and release the **ALERTS** button to toggle between the alerts
Outdoor HI / Outdoor LOW / Indoor HI / Indoor LOW

- Arm the alert with the ▲ button.
- Disarm the alert with the ▼ button.
- ALERT BELL ICON appears when armed.



ACTIVE TEMPERATURE ALERT

- Beeps once per minute with flashing alert bell icon.
- Press any button to stop the alert.

SET TIME ALARM

1. Hold the **ALARM** button to enter alarm time set mode.
2. Press the ▼ or ▲ buttons to adjust alarm time.
3. Press the **ALARM** button to confirm adjustments and move to the next item.

Alarm Time setting order: 1. Hours 2. Minutes

ACTIVATE / DEACTIVATE TIME ALARM

- Press and release the **ALARM** button once to view alarm time.
- Press and release the **ALARM** button again to activate the alarm. Once activated the bell icon appears.
- Press and release the **ALARM** button again to deactivate the alarm. The bell icon will disappear.



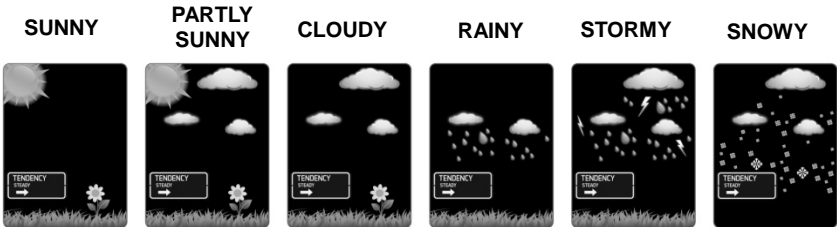
SNOOZE (SILENCES ALARM TEMPORARILY)

- When alarm sounds, press and release the **LIGHT/SNOOZE** button to silence the alarm for 10 minutes.
 - The alarm icon **Zz** will flash.
 - In snooze mode, press any button to stop the alarm for one day.
- Note:** The alarm is crescendo sound. The alarm will sound for 2 minutes and then shut off completely.

FORECAST ICONS




The weather station uses changing atmospheric pressure to predict weather conditions for the next 12-hours with 70-75% accuracy.

Note: Please allow 7 days for barometer calibration.



Note: The “snowy” icon appears when the temperature is below 32°F (0°C) and the forecast is rainy or stormy.

FORECAST TREND INDICATOR

 TENDENCY Rising Pressure Weather is Expected to Improve	 TENDENCY Steady Pressure Weather is Expected to Stay the Same	 TENDENCY Falling Pressure Weather is Expected to Worsen
--	--	--

HEAT INDEX/DEW POINT

- Press the **HEAT/DEW** button once to view Heat Index.
- Press the **HEAT/DEW** button twice to view Dew Point.

ADJUST BACKLIGHT

When using A/C power:

- Press and release the **HI/LOW/OFF** button to adjust the backlight.

When using Battery power only:

- Press and release the **HI/LOW/OFF** button for 10 second backlight.

VIEW/RESET MIN/MAX VALUES

The station automatically resets minimum and maximum values daily at midnight (12:00 AM).

- Press and release the ▼ button to view minimum values.
- Hold the ▼ button for 5 seconds to reset minimum values.
- Press and release the ▲ button to view maximum values.
- Hold the ▲ button for 5 seconds to reset maximum values.

SEARCH FOR OUTDOOR SENSOR

- Hold the **HEAT/DEW** button for 3 seconds to search for the outdoor sensor.
- The strength signal icon will animate until the sensor signal is received or for 3 minutes if no signal available.



TEMPERATURE/HUMIDITY TREND INDICATORS

The temperature (2°F/1°C) and humidity (3% RH) trend indicators update every 30 minutes or less.

- Temperature has **risen** in the past 3 hours.
- Humidity has **risen** in the past 3 hours.



- Temperature has **not changed** in the past 3 hours.
- Humidity has **not changed** in the past 3 hours.



- Temperature has **fallen** in the past 3 hours.
- Humidity has **fallen** in the past 3 hours.



MANUAL WWVB RADIO-CONTROLLED TIME SEARCH

- Press and release the **TIME SET** button to start or stop a manual signal search.
- The WWVB Icon will flash

For information about WWVB, visit:

www.nist.gov/pml/div688/grp40/wwvb.cfm

SPECIFICATIONS

Indoor:	
Temperature Range:	32°F to 122°F (0°C to 50°C)
Humidity Range:	10%-99% (RH)
Outdoor:	
Temperature Range:	-40°F to 140°F (-40°C to 60°C)
Alkaline Batteries:	-20°F to 140°F (-28.8°C to 60°C)
Lithium Batteries:	-40°F to 140°F (-40°C to 60°C)
NOTE:	Temperatures below - 20°F (-28.8°C) require Lithium batteries in the outdoor sensor.
Humidity Range:	10%-99% (RH)
Distance:	Over 300 ft. (91 meters) RF 433MHz (open air)
Power:	
Weather Station	
Primary Power:	5-volt AC power adapter (included)
AC/6 Number:	GPU280500150WA00
Optional/Battery Backup	Optional 3-AAA, IEC, LR3 batteries (not included)
TX141TH-BV2 Sensor:	2-AA, IEC, LR6 batteries (not included)
Battery Life:	
Weather Station Battery Backup:	Battery life is over 36 months when using the AC adapter for primary power
TX141TH-BV2 Sensor:	Battery life is over 12 months when using reputable battery brands for both Alkaline and Lithium batteries
Dimensions:	
Weather Station:	8.34" L x 1.03" W x 5.48" H (211.836 x 26.162 x 139.192mm)
TX141TH-BV2 Sensor:	1.57" x 0.79" x 5.12" (40 x 20 x 130mm)

LOW BATTERY ICON

Low battery icon indicates low battery for station or sensor.



- Battery next to Outdoor Temperature, replace sensor batteries
- Battery near Indoor Temperature, replace weather station batteries.

POSITION OUTDOOR SENSOR

- Mount the outdoor sensor on a north-facing wall or in any well shaded area. Under an eave or deck rail is preferred.
- The maximum transmitting range to the weather station is over 300 feet (91 meters) in open air, not including walls.

WEATHER STATION CARE AND MAINTENANCE

- Do not mix old and new batteries
- Do not mix Alkaline, Standard, Lithium, or Rechargeable Batteries
- Always purchase the correct size and grade of battery most suitable for the intended use.
- Replace all batteries of a set at the same time.
- Clean the battery contacts and also those of the device prior to battery installation.
- Ensure the batteries are installed correctly with regard to polarity (+ and -).
- Remove batteries from equipment when it not to be used for an extended period of time.
- Promptly remove expired batteries.
- If the product is not working properly, change the batteries and/or check the A/C cord connection.

WARRANTY AND SUPPORT INFORMATION

La Crosse Technology, Ltd. provides a 1-year limited time warranty (from date of purchase) on this product relating to manufacturing defects in materials & workmanship.

Before returning a product, please contact our friendly customer support with questions or visit our online help (manuals and FAQs):

Phone: 1-608-782-1610

Online Product Support: www.lacrossetechnology.com/support

Product Registration:

www.lacrossetechnology.com/support/register

View full warranty details online at:

www.lacrossetechnology.com/warranty_info.pdf

Warranty Address:

La Crosse Technology, Ltd

2830 S. 26th St.

La Crosse, WI 54601



FCC STATEMENT

This equipment has been tested and found to comply with the limits for a Class B digital device, pursuant to part 15 of the FCC Rules. These limits are designed to provide reasonable protection against harmful interference in a residential installation. This equipment generates, uses and can radiate radio frequency energy, and if not installed and used in accordance with the instructions, may cause harmful interference to radio communications. However, there is no guarantee that interference will not occur in a particular installation. If this equipment does cause harmful interference to radio or television reception, which can be determined by turning the equipment off and on, the user is encouraged to try to correct the interference by one or more of the following measures:

- Reorient or relocate the receiving antenna.
- Increase the separation between the equipment and receiver.
- Connect the equipment into an outlet on a circuit different from that to which the receiver is connected.
- Consult the dealer or an experienced radio/TV technician for help.

This device must not be co-located or operating in conjunction with any other antenna or transmitter.

Operation is subject to the following two conditions:

- (1) This device may not cause harmful interference, and
- (2) This device must accept any interference received, including interference that may cause undesired operation.

Caution!

The manufacturer is not responsible for any radio or TV interference caused by unauthorized changes or modifications to this equipment. Such changes or modifications could void the user authority to operate the equipment.

All rights reserved. This manual may not be reproduced in any form, even in part, or duplicated or processed using electronic, mechanical or chemical process without the written permission of the publisher.

This booklet may contain errors or misprints. The information it contains is regularly checked and corrections are included in subsequent editions. We disclaim any responsibility for any technical error or printing error, or their consequences.

All trademarks and patents are recognized.

CANADA STATEMENT

This device complies with Industry Canada's license-exempt RSSs. Operation is subject to the following two conditions:

- (1) This device may not cause interference; and
- (2) This device must accept any interference, including interference that may cause undesired operation of the device.