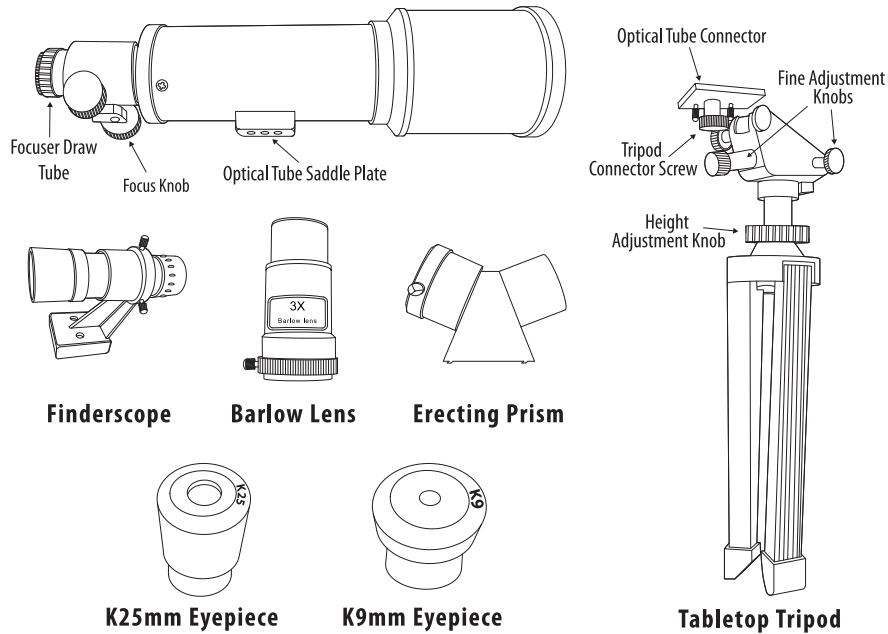


Complete Optical Tube Assembly



1

Separate the **Tripod** legs and place it on a flat surface.

2

Loosen tripod **Height Adjustment Knob** and raise **Optical Tube Connector**. Retighten **Height Adjustment Knob**.

3

Align the **Optical Tube Saddle Plate** with **Tripod Connector Screw**.

4

Attach the **Optical Tube** to the **Tripod** by tightening the **Tripod Connector Screw**.

5

Loosen and remove finderscope mounting thumbscrews from **Optical Tube Assembly**.

6

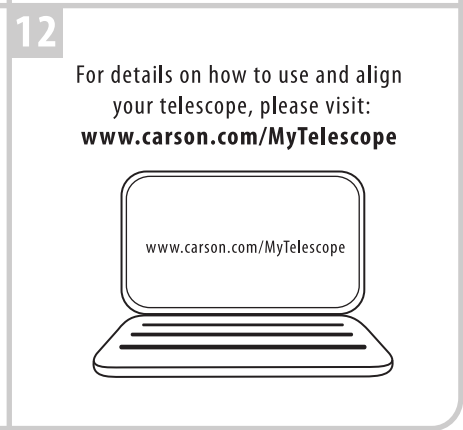
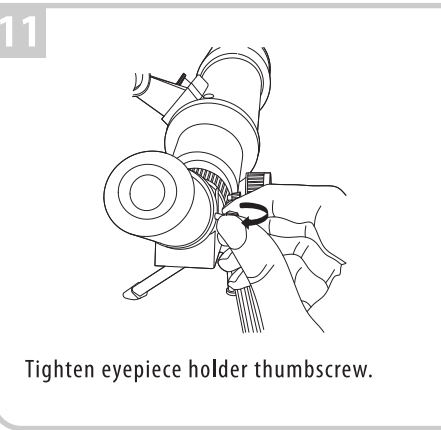
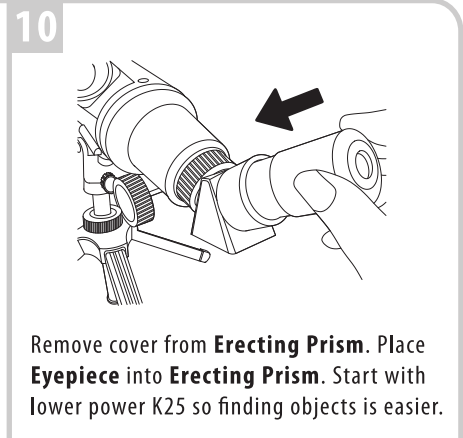
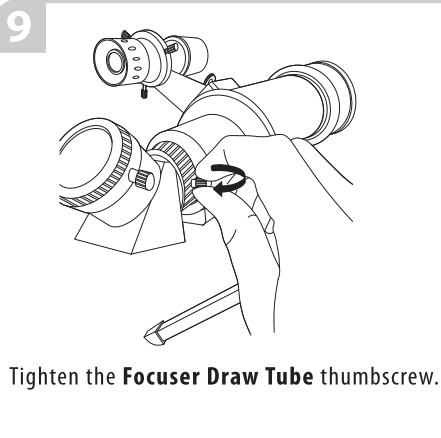
Place the **Finderscope** onto the **Optical Tube Assembly's** two mounting screws.

7

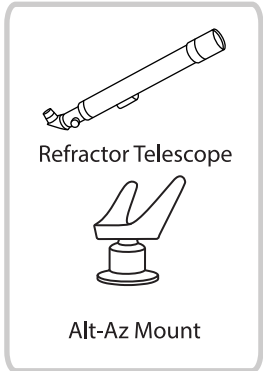
Return thumbscrews onto the mounting screws and tighten them down.

8

Put **Erecting Prism** into **Focuser Draw Tube**. You may add **Barlow Lens** for greater magnification (**Barlow Lens** must be used with **Erecting Prism**).



CARSON[®]



SKY CHASER™

SC-450 TELESCOPE

Quick Start Guide

Warnings:

- Never use this telescope (or its viewfinder) to look directly at or near the sun. Viewing the sun can cause instant and irreversible eye damage.
- Do not leave telescope unattended at any time. Untrained adults or children may not be familiar with the correct operating procedures.
- Do not point the telescope at the sun even when you are not looking through it. This will cause internal damage to the telescope.
- Handle this telescope with care. Rough handling may knock the internal optical components out of alignment.



PDF:
www.carson.com/sc450guide
English / Français / Español / Deutsch



VIDEO TUTORIAL:
www.carson.com/MyTelescope

Customer service: If you experience any difficulties, please contact us and we will be happy to help you.



In the USA

✉ info@carson.com



In the UK

✉ uksupport@carson.com



In the EU

✉ eusupport@carson.com

For warranty information, visit www.carson.com/warranty