

CARSON®

LUMIVISOR™ LV-10

Directions for use

Adjusting Head Strap:

- Press down on buckle marked “push” to release strap lock (Fig. 1).
- Adjust strap to desired size.
- Release buckle to lock strap in place.

Choose Desired Magnification:

- Use lens chart below to determine which lens combination will produce your desired magnification.
- See Fig. 2 to determine lens number.
- To use Lens 2, swing the lens down until it clicks into place directly behind Lens 1.
- To use Lens 3, rotate the lens until it is positioned in front of Lens 1.

Lens Combination	Magnification
Lens 1 only	2x
Lens 1 and Lens 2	3x
Lens 1 and Lens 3	5x
Lens 1, Lens 2 and Lens 3	6x

Using Your Magnifier:

- Select the combination of lenses that will produce your desired magnification (as explained above).
- Once placed on your head, the visor can be adjusted up or down as needed.
- Adjust the lens to the desired viewing angle.
- To activate LED lights, slide switch on top of visor into the “On” position (Fig. 3).
- Adjust the LED light position as needed to illuminate your viewing subject.

Battery Installation (Fig. 4):

- Remove battery door located just behind LED lamp and then remove battery case from compartment.
- Insert 3 AAA batteries into battery case according to polarity indicators printed on top and bottom of case.
- Place loaded battery case into battery compartment according to polarity indicators marked on the metal contacts of battery case and inside the battery compartment.
- Replace battery door when finished.

Warning: Do not mix old and new batteries, batteries with different brand names or different types within brands. Different attributes may cause the battery to leak fluid, overheat or explode. Do not expose to fire or excessive heat. Inspect all batteries for signs of corrosion or leakage. Use alkaline batteries only, rechargeable batteries not recommended. Insert all batteries in the direction indicated.

Cleaning / Care Instructions:

- Handle lenses with care to avoid scratching. Always store item in box when not in use.
- Clean using microfiber lens cloth only. Do not use any abrasives, chemical cleaners or solvents.

Warning:

- Do not use outdoors when in direct sunlight. Do not store product in any area exposed to direct sunlight.

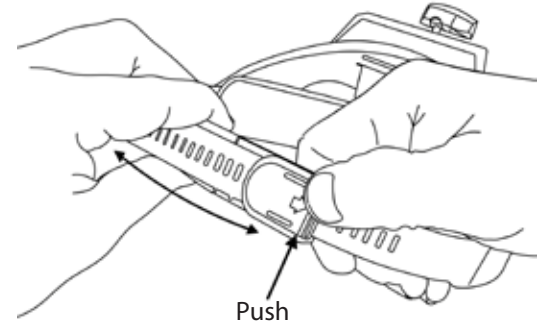


Fig. 1

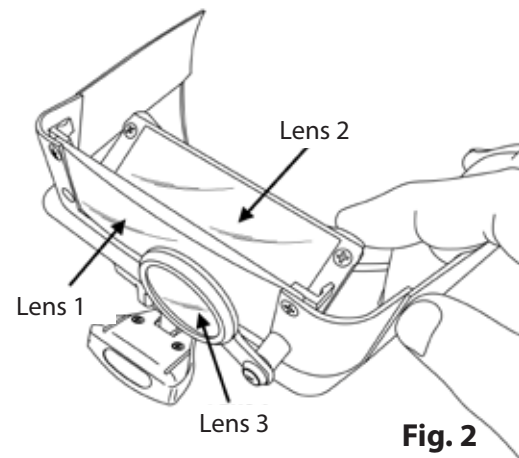


Fig. 2

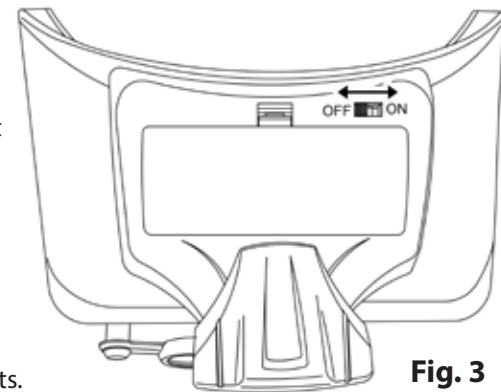


Fig. 3

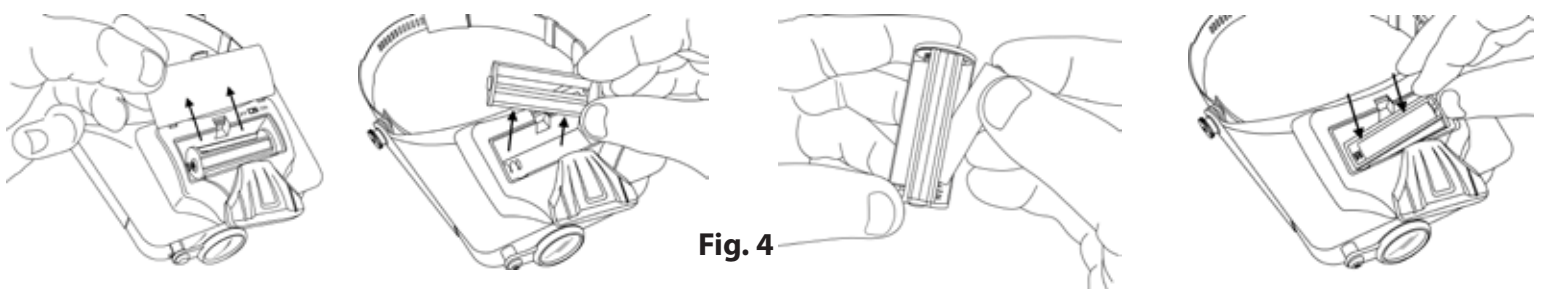


Fig. 4