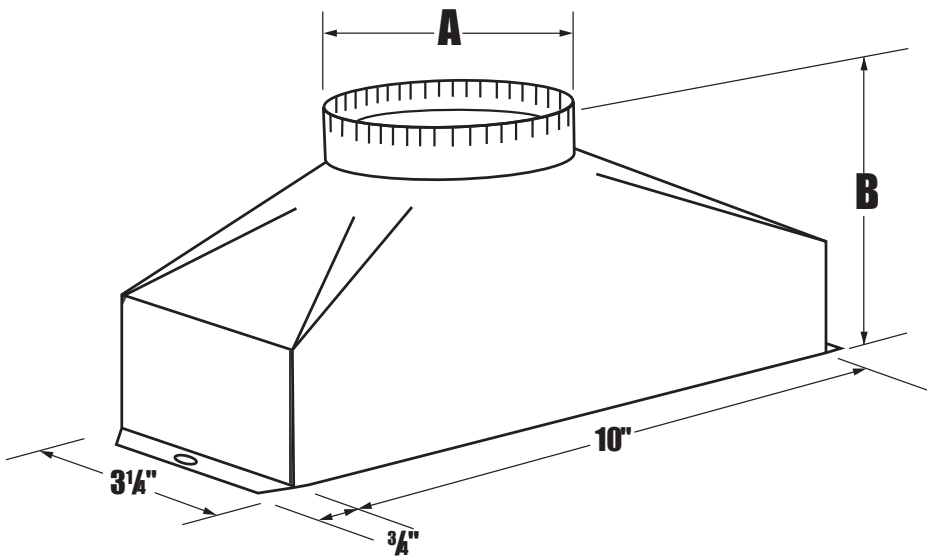


Kitchen Range
Hood Vent
 Universal Offset Boot



MODEL NO.	DIMENSIONS A x B
-----------	---------------------

DGT34	4" x 4 ³ / ₄ "
-------	--------------------------------------

DGT35	5" x 5"
-------	---------

DGT36	6" x 5 ¹ / ₂ "
-------	--------------------------------------

DGT37	7" x 6 ¹ / ₂ "
-------	--------------------------------------

GENERAL INFORMATION

- To complete your range hood venting project, choose these "hard pipe" venting solutions

PERFORMANCE DATA

For galvanized transitions

Material

- Transitions all galvanized steel

Construction

- Dimple lock