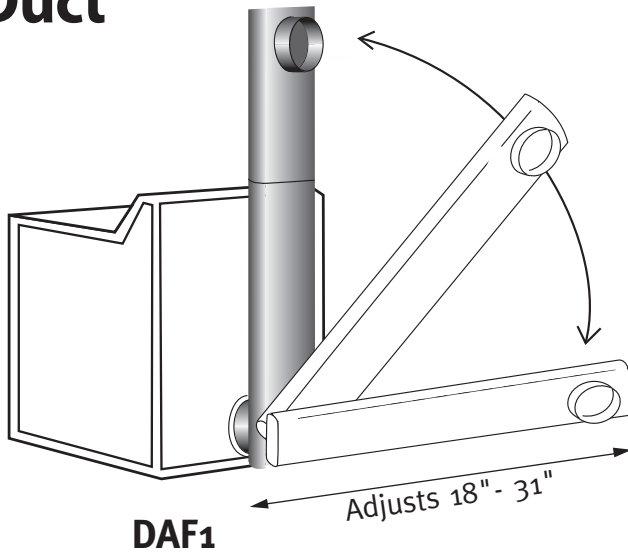
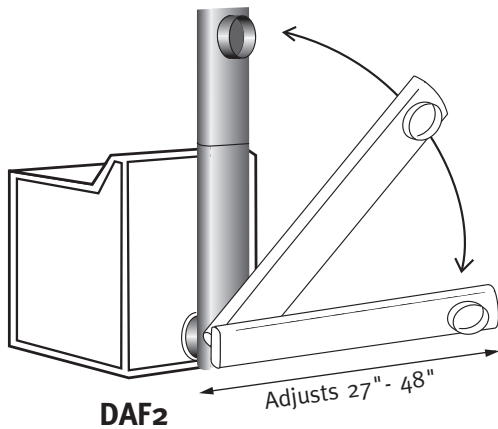


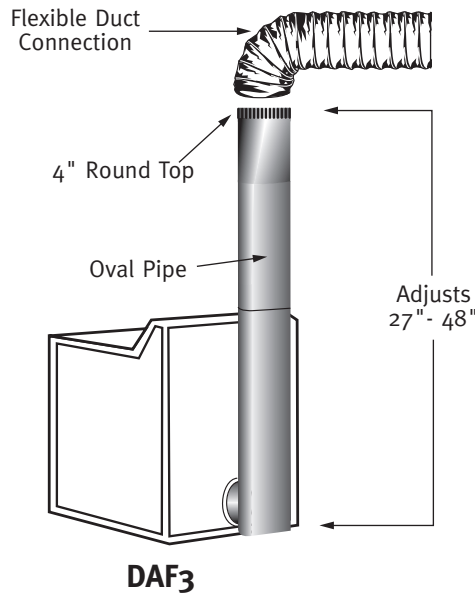
# Smooth Aluminum Skinny Duct™



Solves tight space venting problems



### Application View



MODEL NO.	OPENINGS	LENGTH
DAF1	Oval	Adjustable 18" - 31"
DAF2	Oval	Adjustable 27" - 48"
DAF3	Oval to Round	Adjustable 27" - 48"

## GENERAL INFORMATION

- Allows dryer installation 3" from the wall
- 4" oval aluminum duct, adjustable sizes
- DAF1, DAF2 are ideal for installation on dryers located in closets - vertical, horizontal or diagonal installation
- DAF3 allows for longer exhaust using Supurr-Flex® duct (not included). Excellent for basement installations
- Can be cut to shorter lengths

## PERFORMANCE DATA

For uninsulated aluminum smooth, metal dryer duct pipe

### Duct Diameter

- 4" oval

### Material

- Aluminum, smooth metal pipe
- Thickness - 0.014" (0.35mm)

### Notes

- 4 All "metal" hard pipe Skinny Ducts are a preferred method for venting your clothes dryer. And because we've designed this series of dryer vent ducts using only sturdy, metal pipe, these dryer ducts should help prevent crushing of dryer duct behind the dryer.