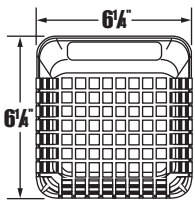
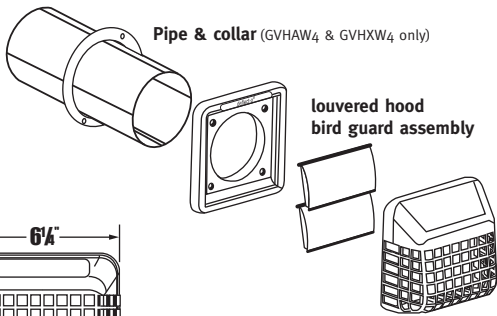


# 4" Supurr Guard® Hood Dryer Vent

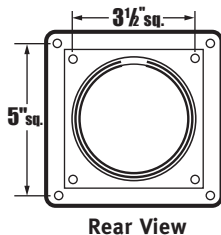
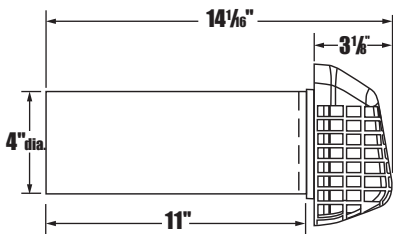
with removable guard, aluminum pipe and collar



GVHAW4

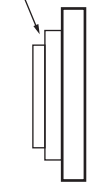


Plastic collar  
(GVHAW4 & GVHXW4 only)



Rear View

Molded for easy connection of pipe



Side View

MODEL NO.	DESCRIPTION
GVHAW4	Hood/Pipe Assembled
GVHXW4	Hood/Pipe/Hang Tab
GH4W	Hood/Bulk
GHR4W	Hood/Carton

## GENERAL INFORMATION

- 4" (10.2cm) diameter opening

- Quick, easy installation

### Supurr Guard® Hood:

- Durable, weather resistant, limited lifetime guaranteed

- Hood louvered dampers operate quietly for maximum exhaust air flow and seals when not in operation to help prevent back drafts

- Removable, white bird guard helps prevent birds and rodents from entering home through your dryer vent

## PERFORMANCE DATA

For plastic molded louvered vent hoods

### Hood

- Calcium filled polypropylene

- Melting point: 325°F

- UV inhibitor added

### Pipe

- Aluminum

### Collar

- Styrene