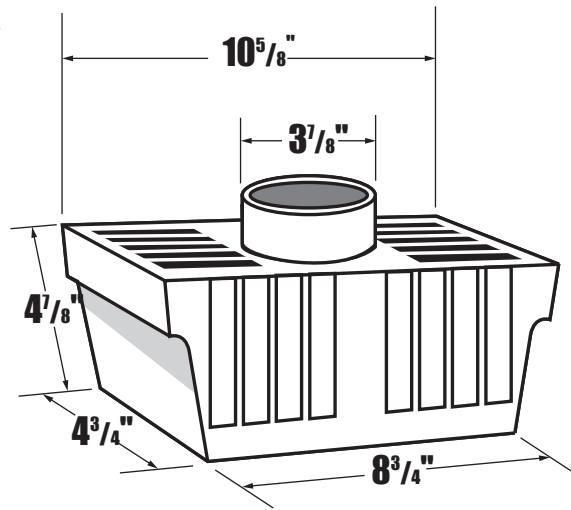
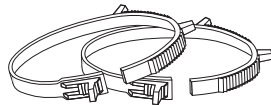
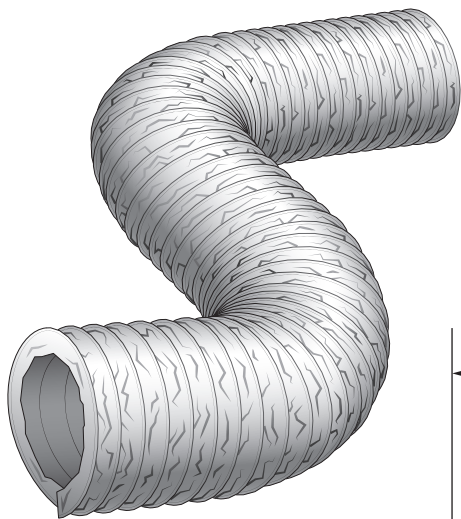


Supurr-Flex®
Lint Trap Kit
for Indoor Dryer Venting



MODEL NO. DESCRIPTION

LTF	Lint Trap with Supurr Flex® Flexible Metallic Duct
-----	--

GENERAL INFORMATION

- Designed for safe indoor dryer venting where outside venting is impossible
- Quick, easy installation, fits any clothes dryer
- Includes 2 plastic clamps
- Please follow these **Safety Warnings**:
 - Do not use with gas clothes dryers
 - In small room open doors for adequate distribution of heat and moisture
 - Some building codes may restrict the use of this product, always check the local codes in your area

PERFORMANCE DATA

For all plastic molded lint trap kits

Material

- Calcium filled polypropylene (container)
- Supurr-Flex® flexible metallic duct

Melting Point

- 325°F (container)

Operating Temperature Range

- 265°F (flex duct)