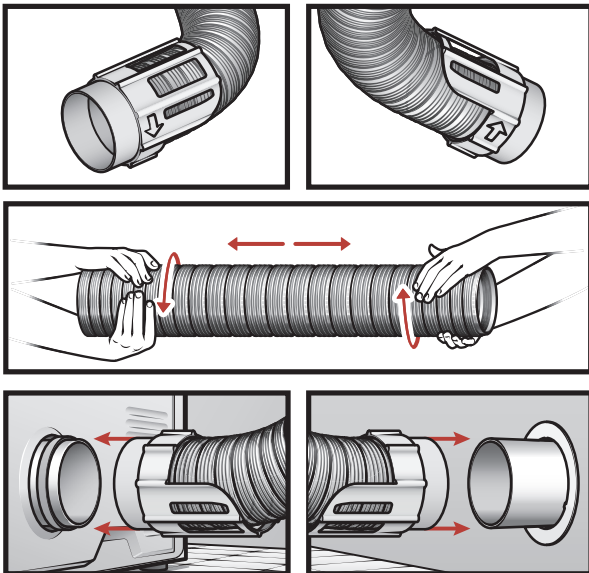
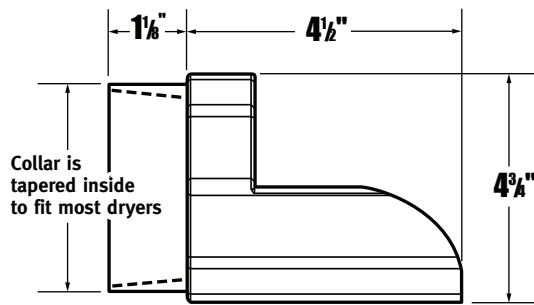
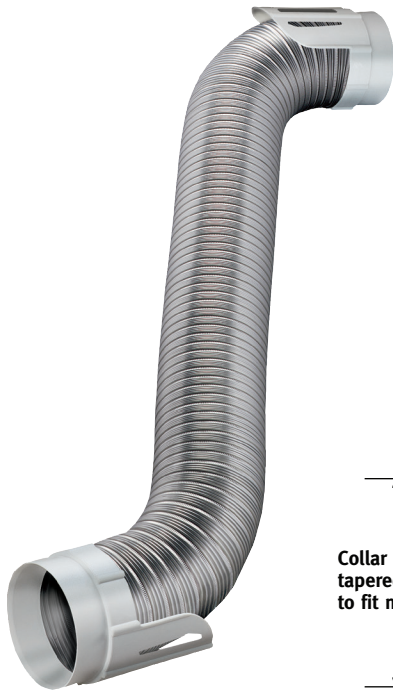


8ft Dryer to Vent Hookup Kit

(2) Hooker-Upper® Protectors, flexible semi-rigid aluminum duct, (1) gasket



MODEL NO.

CASE PK

HUPK8WA/4

4pk

HUPK8WA/25

25pk

GENERAL INFORMATION

SAFE DUCTING COMPLIES WITH DRYER MANUFACTURER RECOMMENDATIONS

- 4" duct diameter, 8' length
- Duct twists on to Hooker-Upper® Protectors and slides over dryer vent and outlet pipe
- No clamps
- No tools
- No tape
- Protects duct from being crushed behind dryers which can cause unsafe dryer operation
- Contains aluminum semi-rigid, flexible duct that makes a quick, easy installation
- Gasket may be needed for proper fit on some dryers

PERFORMANCE DATA

For dryer to vent hookup kits

Material

- Duct - flexible semi-rigid aluminum
- Hooker Upper® Protectors - calcium filled polypropylene
- Gasket - flexible strip

Operating Temperature Range

- -100°F to 430°F

