

# JUICE™ UHF/VHF Antenna Pre-amplifier Kit

Before beginning assembly, make sure all pieces needed are present.

The JUICE UHF/VHF Pre-amplifier comes with:

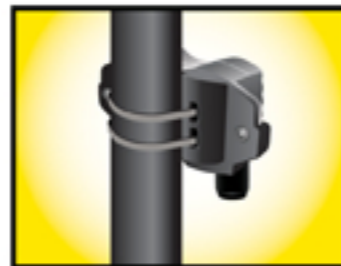
- 1) Pre-Amplifier with Weatherproof Housing
- 2) Power Inserter with 12v DC Power Supply
- 3) Two - 36in Weatherproof Coaxial Cables
- 4) Two - Zip Ties



## Installation Instructions:



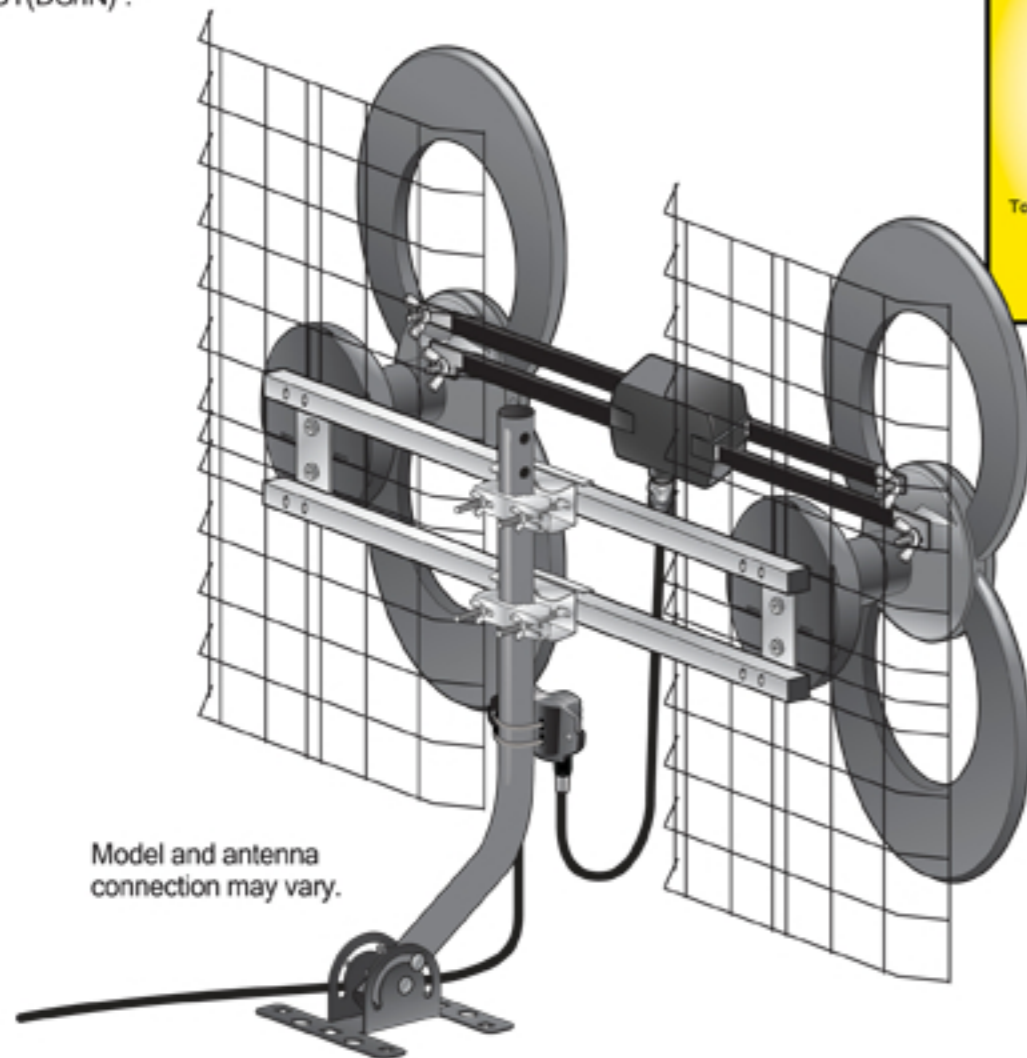
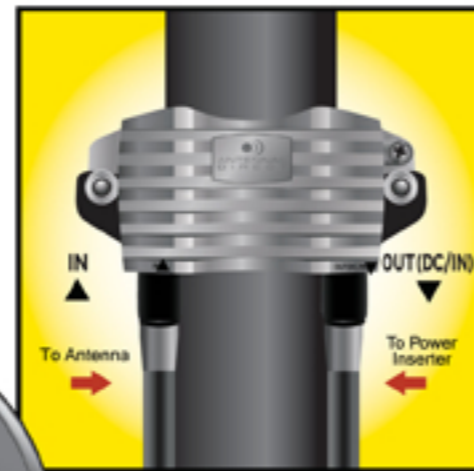
1. Insert one zip tie into each of the two slots on the back of JUICE™ housing.



2. Mount JUICE™ below the antenna and secure zip ties around the mast.

3. Using one of the provided 36" coaxial cables, connect the antenna to JUICE™ port labeled "IN".

4. Connect the down-lead coaxial cable (sold separately) to JUICE™ port labeled "OUT(DC/IN)".



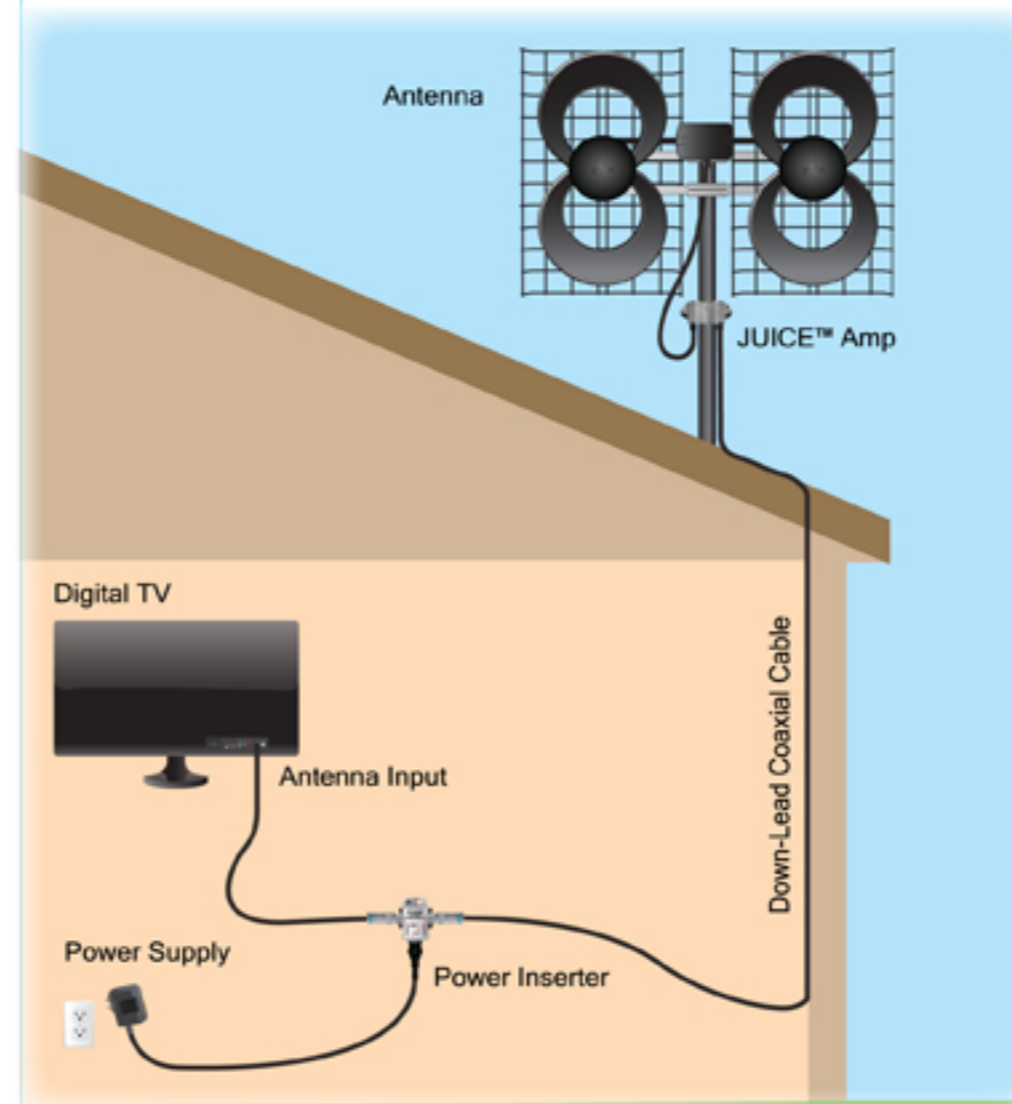
CONTINUED ON BACK →

5. Run the down-lead coaxial cable from the antenna's location to the television or digital converter box in the home, and connect to Power Inserter port labeled "To Amplifier".

6. Using the second provided 36" coaxial cable, connect the television or digital converter box to the Power Inserter port labeled "To Receiver".



7. Review connections and plug-in Power Inserter to any standard 110VAC outlet or surge suppressor strip.



### Amplifier Regulatory Notice:

This device complies with part 15 of the FCC Rules. Operation is subject to the following two conditions.

- (1) This device may not cause harmful interference, and (2) this device must accept any interference received, including interference that may cause undesired operation.

This equipment has been tested and found to comply with the limits for a Class B Digital Device, pursuant to Part 15 of the FCC Rules. These limits are designed to provide reasonable protection against harmful interference in a residential installation.

This equipment generates, uses, and can radiate radio frequency energy and, if not installed and used in accordance with the instructions, may cause harmful interference to radio communication. However, there is no guarantee interference will not occur in a particular installation.

If this equipment does cause harmful interference to radio or television reception, which can be determined by turning the equipment off and on, the user is encouraged to try to correct the interference by one of more of the following measures:

1. Reorient or relocate the antenna.
2. Increase the separation between the equipment and converter box
3. Connect the equipment into an outlet on a different circuit from which the converter box is connected.



**Call to Learn.**  
1-877-825-5572

Technical Assistance is available Monday - Friday, 9:00 am to 9:00 pm and Saturday - Sunday, 10:00 am to 6:00 pm USA Central Time.