

ANT-106

PACKING LIST

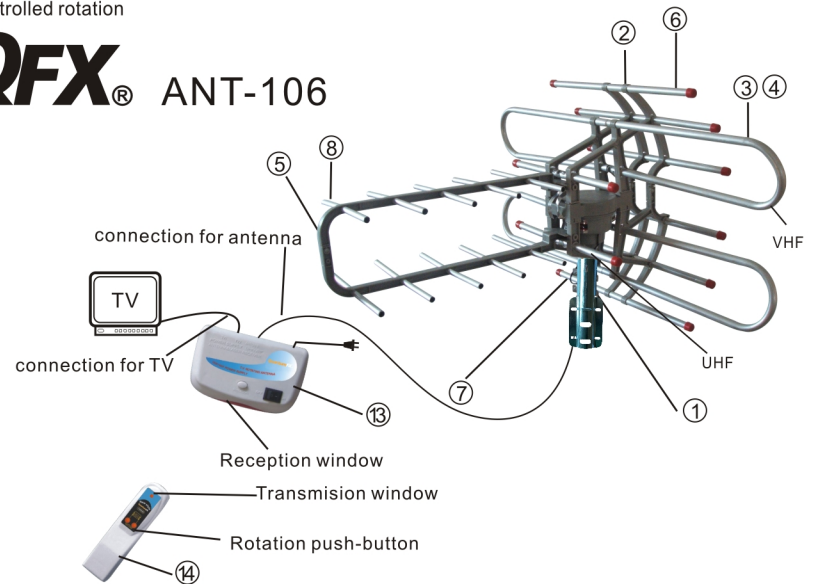
NO.	Name	Specification	Quantity	Image	
①	Master (built-in amplifier)		1		
②	Main unit support		4		
③	VHF vibrator (with connecting tube)	φ 12x340±20mm	2		
④	VHF vibrator	φ 12x330±20mm	2		
⑤	Plastic director support		2		
⑥	Reflector	φ 12x340mm	6		
⑦	UHF dipole	φ 12x120mm	4		
⑧	UHF director	φ 8x80mm	20		
⑨	Attachment	Plastic connector	4		
⑩		Screw	3x8	12	
⑪			3x12	4	
⑫			4x10	2	
⑬	Power supply box		1		
⑭	Remote-controlled ware		1		
⑮	Instruction sheet		1		

TV. REMOTE-CONTROLLED ROTATING ANTENNA

Characteristics:

- VHF/UHF full channel with booster
- Two directors, two dipoles for good receptivity
- Full-direction(360°) rotation
- Infrared remote control and electrical controlled rotation
- Low noise, high gain, clear picture, good voice
- Solid structure, rain proof
- Easy for use and installation

QFX® ANT-106

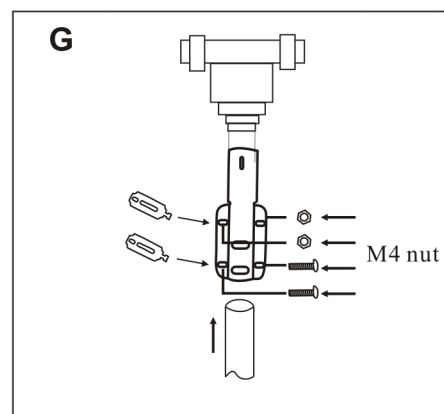
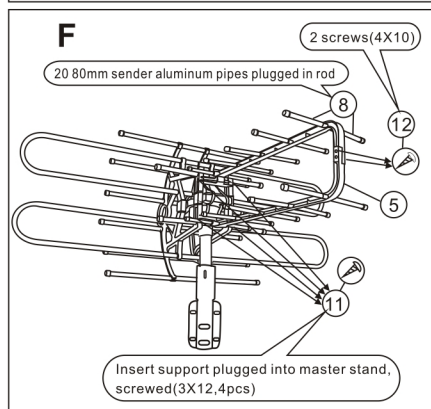
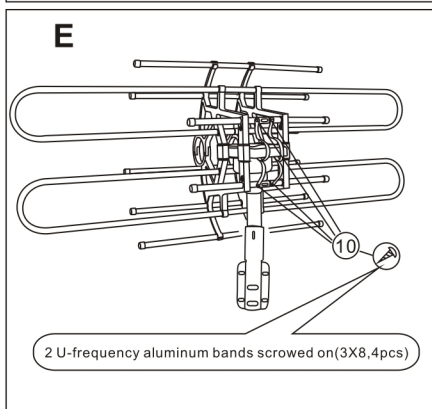
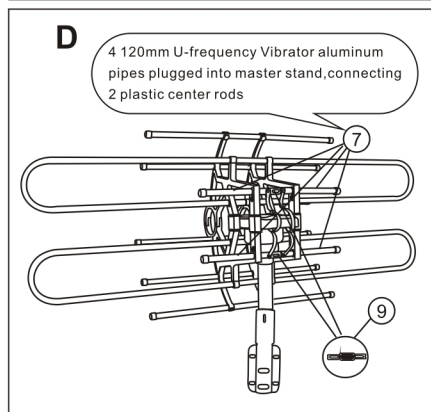
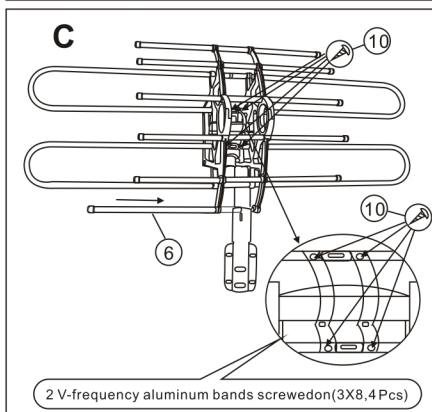
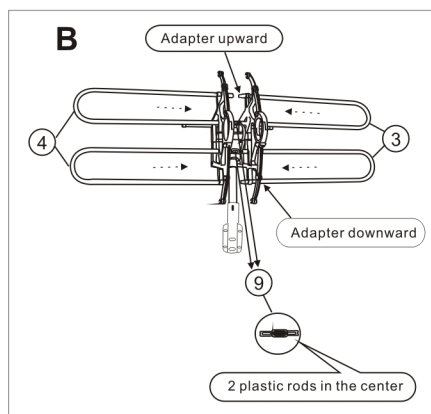
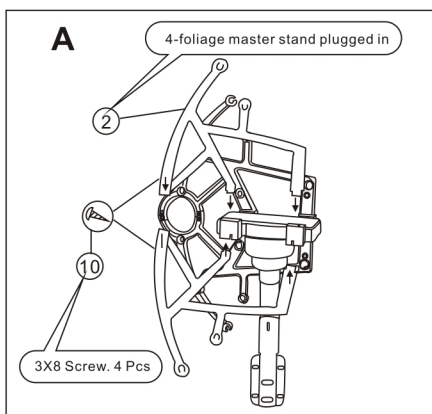


Caution:

1. The motor and booster cannot be disassembled.
2. Remote controller should be aimed to the direction of the reception window.
3. To adjust direction, push the button on the power supply till you receive the best picture possible.

Specifications

Channels	Frequency(MHz)	Gain(dB)	Rotation	Impedance(Ω)	Power
VHF 1-12	45-230	20-28	360°	75	110V/127VAC 60Hz
UHF 21-69	470-860				
DTV	All over UHF Band	20-28	360°	75	110V/127VAC 60Hz



Notes

1. A geared-down motor, gearing wheel and low-noise microwave amplifier are built in. Only professional technicians should disassemble and assemble them.
2. Install according to the procedures shown in the diagram, Make sure everything is not too tightened.
3. The antenna should be installed in a high position with few barriers around.
4. When using remote control, aim the remote-controller to the acceptor window of the power pack.