

**INSTRUCTION MANUAL**



**DIGITAL DISPLAY 4 BAND FM/AM/SW 1-2 RADIO**

**AC IN socket.**  
**To prevent possible damage to this unit**

- Do not use batteries with their polarities (1- and 3) aligned correctly.
- Do not apply heat to batteries, or internal short-circuit may occur.
- If this unit is not to be used for a long period of time, remove all batteries and store them in a cool and dry place.
- Remove dead batteries immediately and dispose of them.
- Do not use old and new batteries together. Also never use an alkaline battery with a manganese battery.
- Battery life
- If the sound become low or distorted, replace all of the batteries with new ones.

**BASIC OPERATION**

1. Press **POWER** button to turn on or turn off the radio.
2. Press **VOLUME +** or **-** button to adjust to your desired volume level.

**LISTENING TO THE RADIO**

1. Press **POWER** button to turn on the radio.
2. Press **BAND** button to select listening to FM, AM, SW-1 or SW-2.
3. Press **VOLUME +** or **-** button to adjust to your desired volume level.
4. Tune in your desire station.
- Press **TUNING +** or **-** button to tune manually.
- Press and hold **TUNING +** or **-** button to search automatically.
- FM-SW-1 and SW-2, you can also press **METER** button to select meter wave frequency.
- Press **M+** button to select your preset station. See "PRESET TUNING" for more detail.
5. Adjust the antenna. See "ANTENNAS" for more detail.
6. To turn off the radio, just press **POWER** button.

**PRESET TUNING**

- You can store 10 memory stations for each of the FM, AM, SW-1 and SW-2 waveband range by following steps.
1. First time in a desired station.
  2. Press and hold **M+** button and the **MEMO** will flash on the display.
  3. Press **M+** button or **TUNING +** or **TUNING -** button to select the memory station number.
  4. Press and hold **M+** button to confirm and the **MEMO** will stop flashing.
- Note: It will quit the station storage mode in about 7 seconds. Once the MEMO disappears from the display, you have to repeat step 1 to 3 to store the memory stations.*

**SETTING THE CLOCK**

1. Press **TIME** button, the time start flashing.

<b>CAUTION</b>	<b>CAUTION</b>
The lightning flash with an arrowhead symbol, which is used to alert the user of the presence of uninsulated "dangerous voltage" within the product which may be sufficient to cause electric shock or personal injury.	The exclamation point within a triangle symbol, which is used to alert the user of the presence of important operating and maintenance instructions accompanying the appliance.
<b>CAUTION - TO REDUCE THE RISK OF ELECTRIC SHOCK, DO NOT REMOVE THE COVER OR OPEN ANY PANELS. ONLY QUALIFIED SERVICE PERSONNEL SHOULD BE PERMITTED TO SERVICE THE APPLIANCE.</b>	<b>CAUTION - TO REDUCE THE RISK OF ELECTRIC SHOCK, DO NOT REMOVE THE COVER OR OPEN ANY PANELS. ONLY QUALIFIED SERVICE PERSONNEL SHOULD BE PERMITTED TO SERVICE THE APPLIANCE.</b>

**Important Safety Instructions**

**WARNING:**  
 To reduce the risk of fire or electric shock, do not expose this apparatus to rain or moisture.

- The apparatus shall not be exposed to dripping or splashing and that no objects filled with liquid such as vases, shall be placed on the apparatus.
1. Read, heed and follow all instructions before operating.
  2. Keep the manual for future reference.
  3. Do not use the apparatus in places that are extremely hot, cold, dusty or humid.
  4. Do not keep the apparatus in a high humidity area such as a bathroom, kitchen sink, a pool.
  5. Keep the apparatus away from heaters, stoves, etc.
  6. Never leave the apparatus in an area exposed to direct sunlight (inside a parked car) where there could be a considerable rise in temperature.
  7. The apparatus shall not be exposed to dripping or splashing and no objects filled with liquids, such as vases, shall be placed on the apparatus.
  8. Do not block any ventilation openings. Install the apparatus in accordance with the manufacturer's instructions.
  9. Clean only with a dry cloth.
  10. Protect the power cord from being walked on or pinched, particularly at plugs, convenience receptacles and the pointers where they exist from the apparatus.
  11. The main plug is used as the disconnect device, the disconnect device shall remain readily operable.
  12. If the apparatus is not used for a period of time, unplug the power cord.
  13. If it is lightning, unplug the power cord to prevent the unit from unnecessary damages.
  14. Refer all servicing to qualified service personnel. Servicing required when the apparatus does not operate normally or has been damaged in any way such as the power cord or plug is damaged, liquids spilled into the apparatus, any hard object fallen on the apparatus, the apparatus has been dropped, the apparatus has been exposed to rain or moisture.
  15. To be completely disconnecting the power input, the mains plug of apparatus shall be disconnected from the mains.

16. The marking information is located at the back of the apparatus.
17. Minimum distance 5 cm around the apparatus for efficient ventilations
18. The ventilation should not be impeded by covering the ventilation openings with items such as newspapers, table cloths, curtains and the like.
19. Do not place any flame sources such lighted candles on top of the apparatus.
20. Attention should be drawn to the environmental aspects of batteries disposal.
21. Use the apparatus in moderate climates.
22. The mains plug is used as the disconnect device, the disconnect device shall remain readily operable.
23. The battery shall not be exposed to excessive heat such as sunshine, fire or the like.

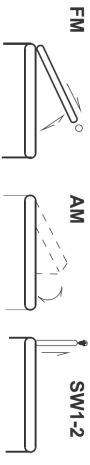
**Battery Warnings**

- Batteries are to be inserted with the correct polarity. Make sure that the (+) and (-) terminals are placed in the correct direction.
- Do not mix used and new batteries or batteries of different types: alkaline, standard (carbon-zinc) or rechargeable (nickel-cadmium).
- Never use batteries that show signs of electrolyte leaks or cracking.
- Never dispose of used batteries in an open fire, risk of explosion.
- Keep batteries out of reach of children.
- Never short circuit battery terminals.
- Exhausted batteries are to be removed from the product.
- Remove batteries from the appliance before disposing of it at the end of its service life, or during long periods of non-use.
- We recommend you to replace batteries about once a year. Batteries will run out in different time period for different brands of batteries. If this apparatus keeps bad time replace batteries immediately.
- Do not try to open the batteries.
- Batteries (battery pack or batteries installed) shall not be exposed to excessive heat such as sunshine, fire or the like.
- Do not charge non-rechargeable batteries.
- Ensure the battery compartment panel is secure.

**CAUTION**

Danger of explosion if battery is incorrectly replaced. Replace only with the same or equivalent type.

**ANTENNAS**



**FM**  
 Pull out the telescopic antenna and adjust its length and angle for optimum reception.

**AM**  
 The sensitive ferrite core antenna inside the set will provide excellent AM reception in most areas. Turn the set in the direction which gives the best results because the ferrite core antenna is directional.

**SW1-2**  
 Fully and vertically extend the telescopic antenna.

**SPECIFICATION**

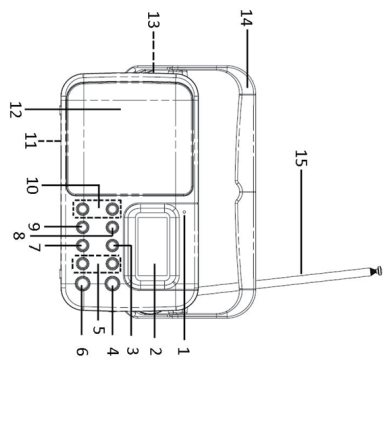
- Power Supply: AC 220V~60Hz  
 Power Consumption: 5W  
 Battery: CC 3V/1 size, UM-1,LR20 X 2, not included)  
 Frequency Range: FM: 87.5-108 MHz  
 AM: 530-1710 kHz  
 SW-1: 2.30-7.10 MHz  
 SW-2: 9.50-21.85 MHz  
 Speaker: 8Ω/1.3W  
 Design and specification are subject to change without notice.

**FCC STATEMENT**

This equipment has been tested and found to comply with the limits for a Class B digital device, pursuant to Part 15 of the FCC Rules. These limits are designed to provide reasonable protection against harmful interference in residential installations. This equipment generates uses and can radiate radio frequency energy and, if not installed and used in accordance with the instructions, may cause harmful interference to radio communications. However, there is no guarantee that interference will not occur in a particular installation. If this equipment does cause harmful interference to radio or television reception, which can be determined by turning the equipment off and on, the user is encouraged to try to correct the interference by one of the following measures:

- Reorient or relocate the receiving antenna.
- Increase the separation between the equipment and receiver.

**BUTTONS AND CONTROL**



1. INDICATOR
2. DISPLAY
3. TIME/M+ BUTTON
4. POWER BUTTON
5. TUNING + / TUNING - BUTTON
6. LIGHT BUTTON
7. WAKE/ BAND BUTTON
8. METER BUTTON
9. SLEEP / SNOOZE BUTTON
10. VOLUME / VOLUME - BUTTON
11. BATTERY DOOR (BACK SIDE)
12. SPEAKER
13. AC IN SOCKET (RIGHT SIDE)
14. HANDLE
15. FM ANTENNA

**POWER SOURCE BATTERY OPERATION**

1. Open the Battery door.
  2. Insert 2 "D" size (UM-1, LR20 or equivalent) batteries into the battery compartment, making sure that the batteries are installed with the proper polarities (+ and -).
- AC Supply**
1. Make sure the Voltage Selector is set to the correct position. Connect the AC cord to the AC IN socket and the wall socket. The set is now ready to use.
  2. To switch off the set completely, pull the AC cord from the wall socket and disconnect from the

- Connect the equipment into an outlet on a circuit different from that to which the receiver is connected.
- Consult the dealer or an experienced radio/TV technician for help.

This device complies with Part 15 of the FCC Rules. Operation is subject to the following two conditions: (1) This device may not cause harmful interference, and (2) this device must accept any interference received, including interference that may cause undesired operation.

**INDUSTRY CANADA**

This device complies with Industry Canada licence-exempt RSS standard(s). Operation is subject to the following two conditions: (1) this device may not cause interference, and (2) this device must accept any interference, including interference that may cause undesired operation of the device.

*Under Industry Canada regulations, this radio transmitter may only operate using an antenna of a type and maximum (or lesser) gain approved for the transmitter by Industry Canada. To reduce potential radio interference to other users, the antenna type and its gain should be so chosen that the equivalent isotropically radiated power (e.i.r.p.) is not more than that necessary for successful communication.*

Conformément à la réglementation d'industrie Canada, le présent émetteur radio peut fonctionner avec une antenne d'un type et d'un gain maximal (ou inférieur) approuvé pour l'émetteur par Industrie Canada. Dans le but de réduire les risques de brouillage radioélectrique à l'interférence de autres utilisateurs, il faut choisir le type d'antenne et son gain de sorte que la puissance isotrope rayonnée équivalente (P.I.R.E.) ne dépasse pas l'intensité nécessaire à l'établissement d'une communication satisfaisante.

Le présent appareil est conforme aux CNR d'industrie Canada applicables aux appareils radio exempts de licence. L'exploitation est autorisée aux deux conditions suivantes : (1) l'appareil ne doit pas produire de brouillage et (2) l'utilisateur de l'appareil doit accepter tout brouillage radioélectrique subi, même si le brouillage est susceptible d'en compromettre le fonctionnement.