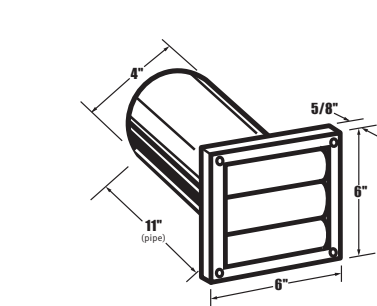
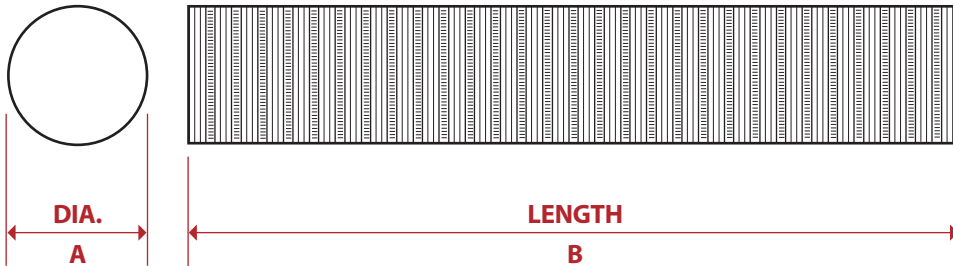
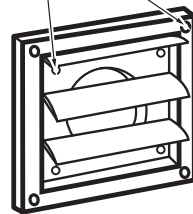


Supurr-Vent® Dryer Vent Kit

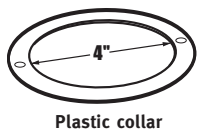
featuring UL Listed Supurr-Flex®
Clothes Dryer Transition Duct



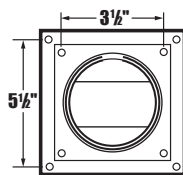
Can be mounted
either inside or out



4" Plastic Clamps

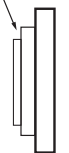


Plastic collar



Rear View

Molded for easy
connection of pipe



Side View



| MODEL NO. | DIMENSIONS A x B | COLOR |
|-----------|---------------------|------------|
| SK5WF | 4" x 5' | White Hood |
| SK8WF | 4" x 8' | White Hood |
| SK8BF | 4" x 8' | Brown Hood |

GENERAL INFORMATION

RECOMMENDED DUCT BY DRYER
MANUFACTURERS FOR DRYER VENTING

- Fire resistant, flexible, easy to install UL Listed Supurr-Flex® Duct
- Quick, easy installation kit
- Duct clamps included
- Durable, weather resistant hood
- Supurr-Vent® hood louvers operate quietly for maximum exhaust air flow and seals when not in operation to help prevent back drafts

PERFORMANCE DATA

For plastic molded louvered vent hoods

Hood

- Calcium filled polypropylene
- Melting point: approximately 325°F
- UV Inhibitor added

Pipe

- Aluminum

Collar

- Styrene

Clamps

- 4" dia., polypropylene plastic

Duct

- UL Listed Clothes Dryer Transition Duct, UL 2158A

Operating Temperature Range

- 265°F