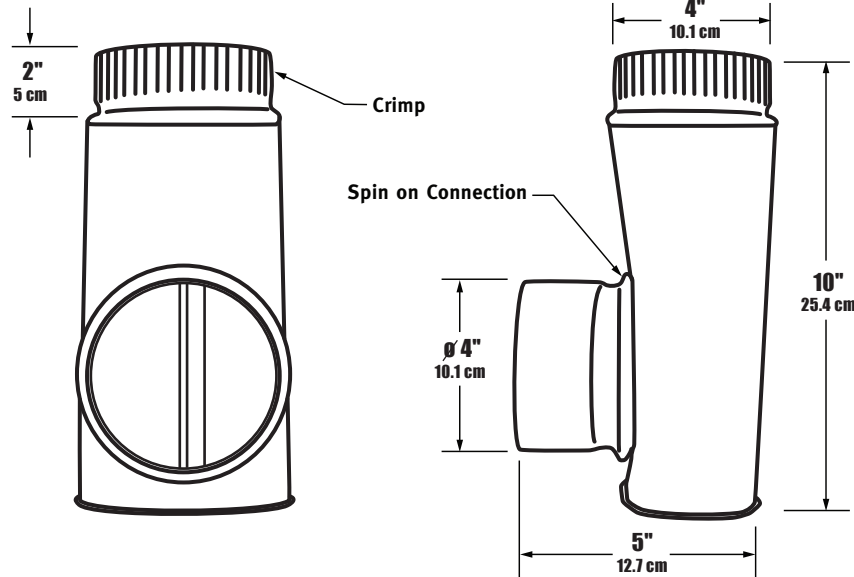
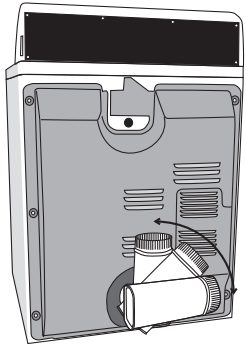


# Offset 4" Dryer Connector



MODEL NO.	DESCRIPTION
AMDOC/6	4"Dia. Offset Connector

## GENERAL INFORMATION

- 4" diameter
- Designed to fit closely to your dryer
- Reduces space between your dryer and wall
- All Aluminum construction
- 360° rotation
- Round to oval transition 90°
- Smooth wall construction helps to reduce lint
- Flame spread/smoke developed 0/0

## PERFORMANCE DATA

For dryer offset connector

### Material

- Aluminum 0.014" (0.38mm) 3000 series

- Seam lock construction

### Maximum Velocity

- 5000FPM / 25 MPS

### Operating Temperature Range

- -100°F to 430°F intermittent