

# WTR-SYS

## Wireless Transmitter/Receiver System User Manual



**B·I·C** America™

925 N. Shepard Street • Anaheim, CA 92806

[www.bicamerica.com](http://www.bicamerica.com)

# FCC Compliance

This device complies with Part 15 of the FCC Rules. Operation is subject to the following two conditions:

(1) this device may not cause harmful interference, and (2) this device must accept any interference received, including interference that may cause undesired operation.

Changes or modifications not expressly approved by the party responsible for compliance could void the user's authority to operate the equipment.

This equipment has been tested and found to comply with the limits for a Class B digital device, pursuant to part 15 of the FCC Rules. These limits are designed to provide reasonable protection against harmful interference in a residential installation. This equipment generates and can radiate radio frequency energy and, if not installed and used in accordance with the instructions, may cause harmful interference to radio communications. However, there is no guarantee that interference will not occur in a particular installation. If this equipment does cause harmful interference to radio or television reception, which can be determined by turning the equipment off and on, the user is encouraged to try to correct the interference by one or more of the following measures:

- *Reorient the receiving antenna.*
- *Increase the separation between the equipment and receiver.*
- *Connect the equipment into an outlet on a circuit different from that to which the receiver is connected.*

To satisfy FCC RF exposure requirements, a separation distance of 20 cm or more should be maintained between this device and persons during device operation.



To ensure compliance, operations at closer than this distance is not recommended. The antenna used for this transmitter must not be co-located in conjunction with any other antenna or transmitter.

## Important Safety Instructions



- Read these instructions.
- Keep these instructions.
- Heed all warnings.
- Follow all instructions.
- Do not use this apparatus near water.
- Clean only with dry cloth.
- Do not block any ventilation openings. Install in accordance with the manufacturer's instructions.
- Do not install near any heat sources such as radiators, heat registers, stoves, or other apparatus (including amplifiers) that produce heat.
- Protect the power cord from being walked on or pinched particularly at plugs, convenience receptacles, and the point where they exit from the apparatus.
- Only use attachments/accessories specified by the manufacturer.
- Unplug this apparatus during lighting storms or when unused for long periods of time.
- Refer all servicing to qualified services personnel. Servicing is required when the apparatus has been damaged in any way, such as power-supply cord or plug is damaged, liquid has been spilled or objects have fallen into the apparatus, the apparatus has been exposed to rain or moisture, does not operate normally, or has been dropped or damaged. When the apparatus exhibits a distinct change in performance this indicates a need for service.
- Adjust only those controls that are covered by the operating instructions as an improper adjustment of other controls may result in damage and will often require extensive work by a qualified technician to restore the apparatus to its normal operation.

- **Damage Requiring Service:** Unplug the apparatus from the wall outlet and refer servicing to qualified service personnel.
- **Object and Liquid Entry:** Never push objects of any kind into the apparatus through openings as they may touch dangerous voltage points or short-out parts that could result in a fire or electric shock. The apparatus shall not be exposed to dripping or splashing and no objects filled with liquids, such as vases shall be placed on the apparatus. Don't put candles or other burning objects on top of this unit.
- This device has no power switch. To disconnect this device from power supply, the power cord must be disconnected.
- The power supply and power cord for this apparatus is intended for indoor use only.
- Only use the included A/C adaptor.

## Safety Information

	<b>CAUTION</b> <b>RISK OF ELECTRIC SHOCK</b> <b>DO NOT OPEN</b>	
<b>CAUTION: TO REDUCE THE RISK OF ELECTRIC SHOCK, DO NOT REMOVE COVER (OR BACK). NO USER-SERVICEABLE PARTS INSIDE. REFER SERVICING TO QUALIFIED SERVICE PERSONNEL.</b>		

**WARNING:**  
**TO REDUCE THE RISK OF FIRE OR ELECTRIC SHOCK, DO NOT EXPOSE THIS EQUIPMENT TO RAIN OR MOISTURE.**

	The lightning flash with arrowhead symbol within an equilateral triangle is intended to alert the user to the presence of uninsulated dangerous voltage within the product's enclosure that may be of sufficient magnitude to constitute a risk of electric shock.
	The exclamation point within an equilateral triangle is intended to alert the user to the presence of important operating and maintenance (servicing) instructions in the literature accompanying the product.

Thank you for purchasing the B·I·C America WTR-SYS wireless transmitter/receiver system. This kit makes it easy to connect your powered subwoofer and powered speakers wirelessly. With the purchase of additional W-Receivers, you can play multiple subwoofers or pairs of powered speakers on the same wireless channel simultaneously. Never has it been easier to extend your bass and upgrade your .1 system to a .2, .3, or even a .4 system – no need to upgrade to an expensive audio receiver!

When you install additional WTR-SYS wireless kits, the WTR-SYS also offers 4 separate wireless channels which enable you to play up to 4 different wireless channels or zones. Eliminate the need to run expensive, long bulky wires and cables to multiple audio zones. Place your powered speakers where they look and sound best with no front to back of room wires or cables.

The W-Transmitter can be connected to your A/V receiver (variable pre-amp out jacks required), PC, Mac, mobile device, TV or any product with 1/8" (3.5mm) or RCA connectors to send a signal to any powered speakers in your business or home wirelessly. With set-up in just minutes, you can immediately enjoy CD quality sound from your patio, second audio zone or anywhere you'd like!

## **SPECIFICATIONS**

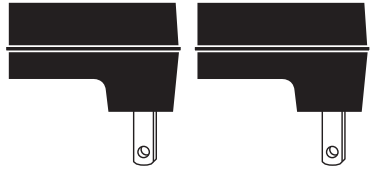
- External antennas enable range of 80' unobstructed and up to 60' obstructed.
- 4 selectable channels permit multiple wireless signals simultaneously
- Wireless 20Hz-20kHz
- CD quality sound
- No software required
- Super compact size and self-adhesive Velcro strips enable multiple placement options.
- SNR: 93dB
- RF band: 2.4GHz
- Compatible with most subwoofers, powered speakers, and A/V receivers (must have variable pre-amp out RCA jacks).

# Package Contents

2 USB Cords



2 Power Adapters



2 Antennas



4 Strips of VELCRO®



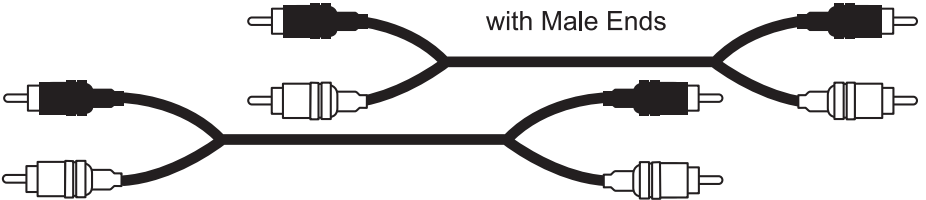
W-Transmitter



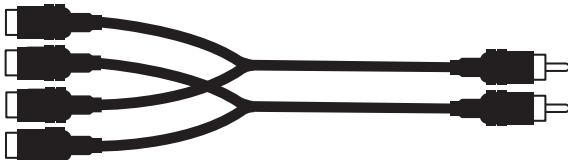
W-Receiver



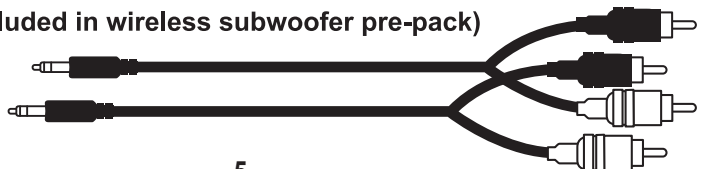
2 RCA to RCA Stereo Cables with Male Ends



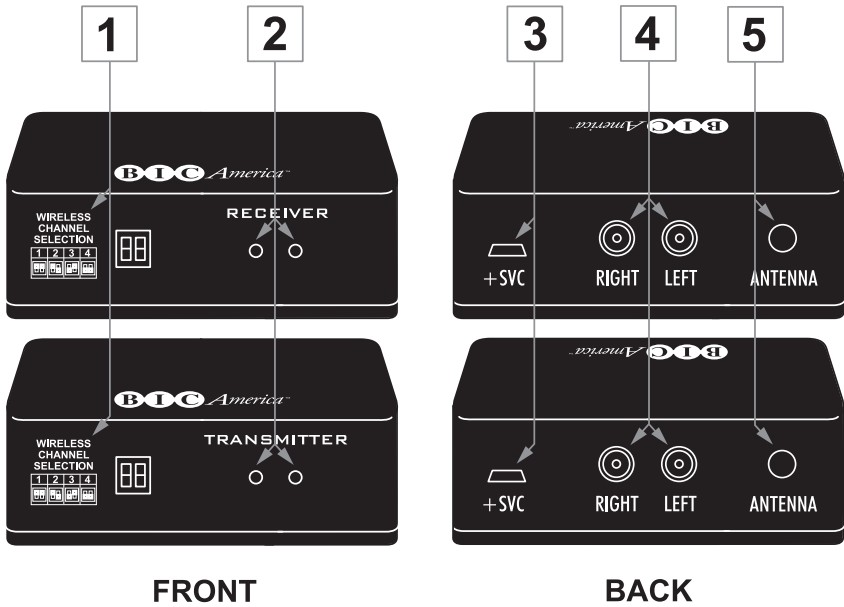
2 RCA Y Adapter Cables, 2 Female to 1 Male End



2 x 1/8 (3.5mm) Stereo to RCA Cables  
(Not included in wireless subwoofer pre-pack)



# Connections and Configurations



## 1. Channel Selector

The WTR-SYS features four different selectable channels. Be sure to set both the transmitter and receiver to the same channel for each application.

### Playing Different Channels and/or Audio Zones

**Example:** When you install additional WTR-SYS wireless kits, you can play up to four separate selectable wireless channels or zones. Set your first WTR-SYS transmitter and receiver to channel #1 for wireless subwoofer(s). Then, set your second WTR-SYS transmitter and receiver to channel #2 to add wireless powered surround speakers. Add up to four WTR-SYS transmitter/receiver kits to play different channels and audio zones throughout your home!

### Add Additional Powered Subwoofers & Powered Speakers to the Same Wireless Channel

**Example:** Extend your bass and add more wireless B·I·C powered subwoofers to your system with the purchase of additional B·I·C W-Receiver. Set your second W-Receiver to the same wireless WTR-SYS channel that Subwoofer #1 is set to. Enjoy 5.2 sound from a 5.1 receiver, 7.3 sound from a 7.1 receiver, or 9.4 sound from a 9.1 receiver! Or, play what's running in your living room or basement in any other area in your home.

## 2. Status LED

There are two LED on each W-Transmitter and W-Receiver – a red power indicator and a blue status indicator. The red LED will remain lit as long as the unit is on. The blue LED will either flash or remain constant. If the blue LED is flashing, the receiver or transmitter is looking for a signal. When the blue LED is constant, the unit has successfully paired the receiver and transmitter.

## 3. Micro USB Power Port

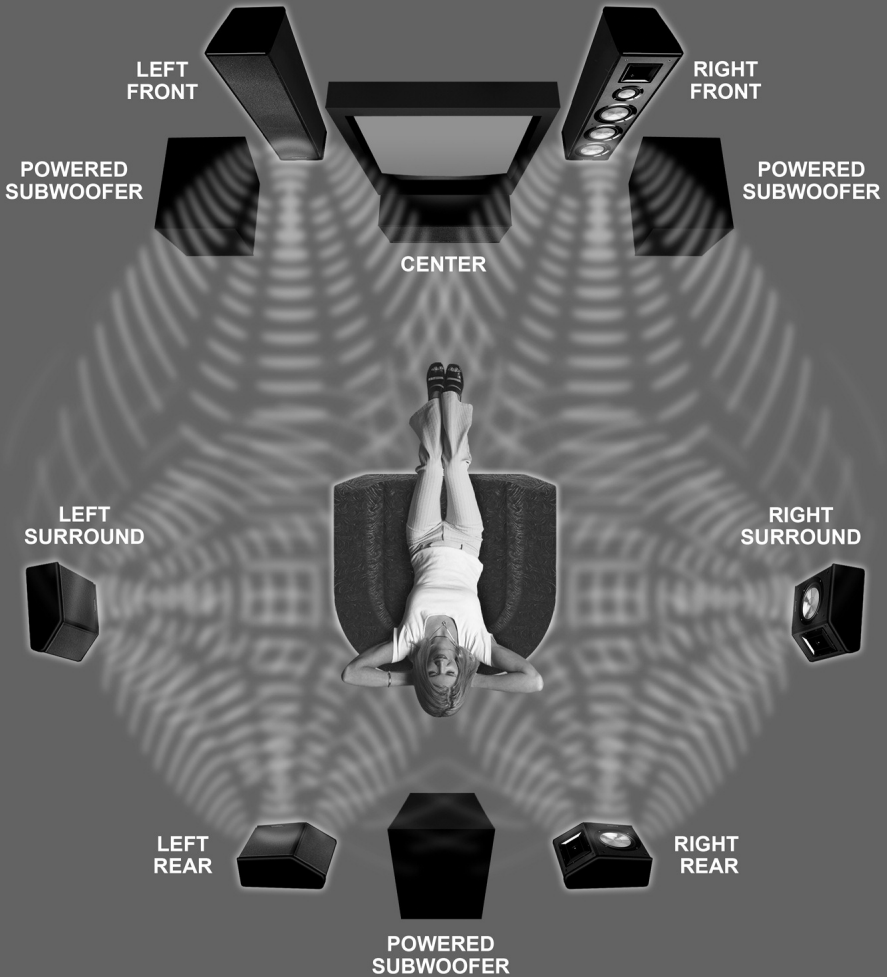
## 4. Analog Input/Output Connection

## 5. Antenna Connection

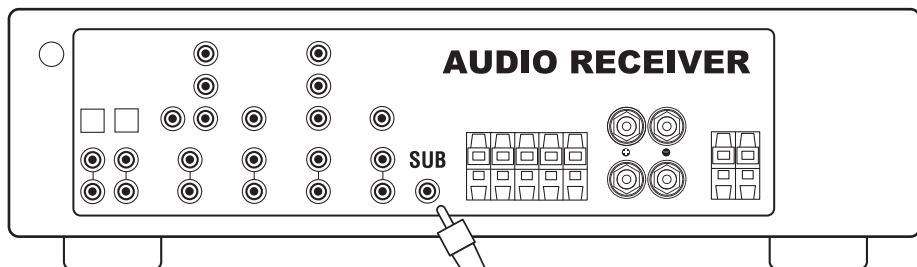
**\* EXTEND YOUR BASS!... Add extra wireless powered subwoofers without having to upgrade to a more expensive audio receiver. This can be done by purchasing additional B-I-C W-Receivers and setting them to the same wireless channel that your first subwoofer is set to.**

# **SURROUND YOURSELF!**

## **7.3 Configuration (3 Subs!)**

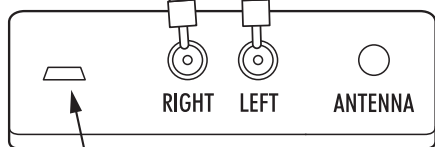


# HOOKUP GUIDE FOR



RCA to RCA stereo cables  
with male ends.

Y adapter with female ends  
plugged into RCA stereo  
cables with male ends.



**W - TRANSMITTER**

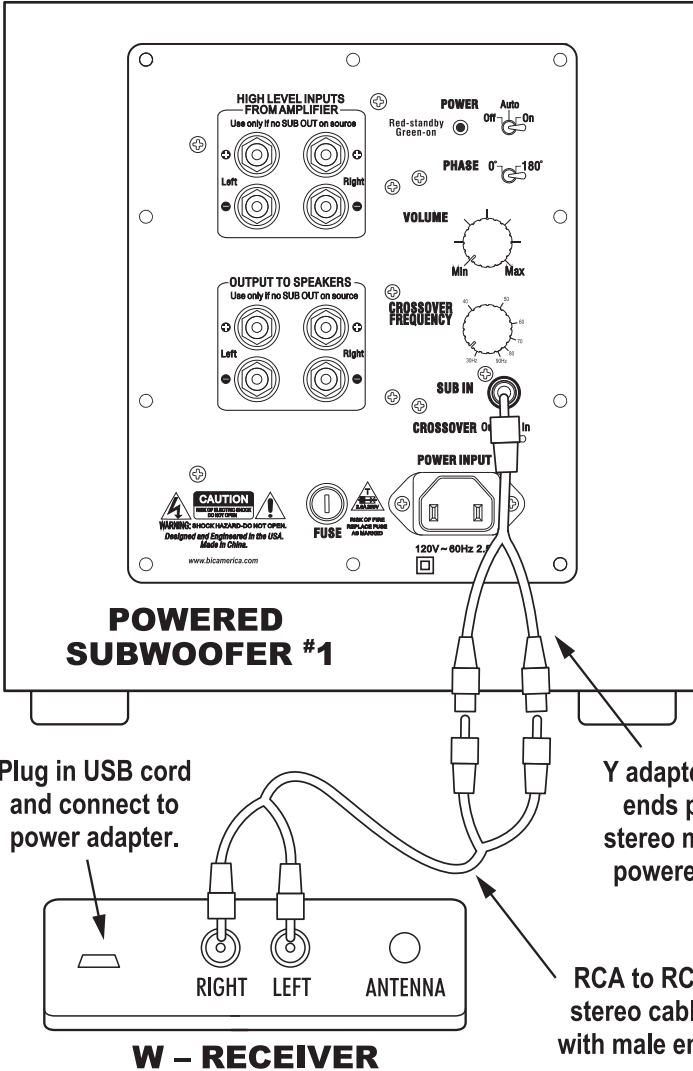
Plug in USB cord  
and connect to  
power adapter.



# WIRELESS SUBWOOFER(S)

1) Set W-Transmitter and W-Receiver to the same channel located on the front of the units.

**NOTE:** If your subwoofer or audio receiver has left and right RCA inputs, do not use the Y-adapter cable.



## ADD ADDITIONAL POWERED SUBWOOFERS!

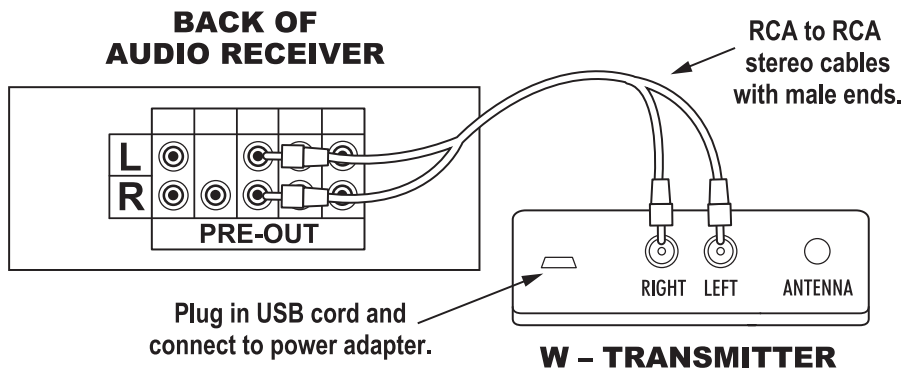
Extend your bass and add additional wireless B-I-C powered subwoofers to your system with the purchase of additional B-I-C W-Receiver. Set the W-Receiver to the same WTR-SYS channel that Subwoofer #1 is set to. Enjoy 5.2 sound from a 5.1 receiver, 7.3 sound from a 7.1 receiver, or 9.4 sound from a 9.1 receiver!

# HOOKUP GUIDE FOR

## Audio Receiver

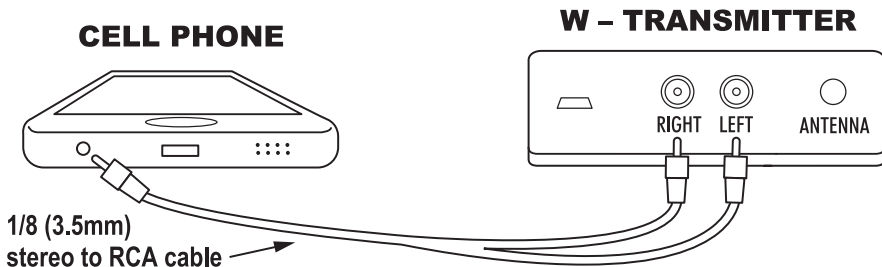
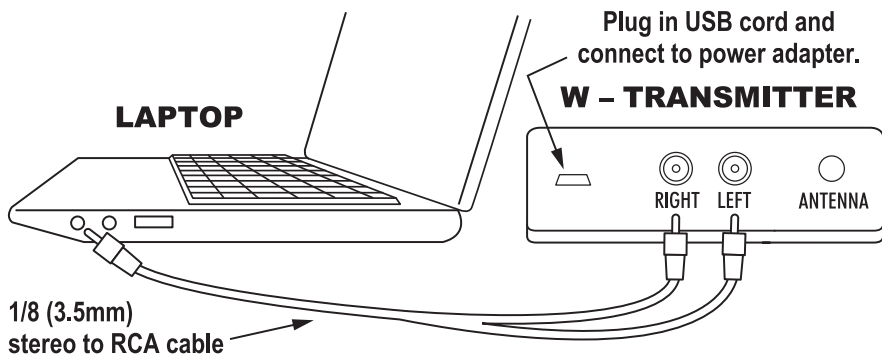
**NOTE:** In order for this hook-up to work, your audio receiver must have variable pre-amp out RCA jacks.

- 1) Set W-Transmitter and W-Receiver to the same channel located on the front of the units.



## Computer, Phone, Tablet or Any Other Device with 1/8" (3.5mm) Stereo Jack Output

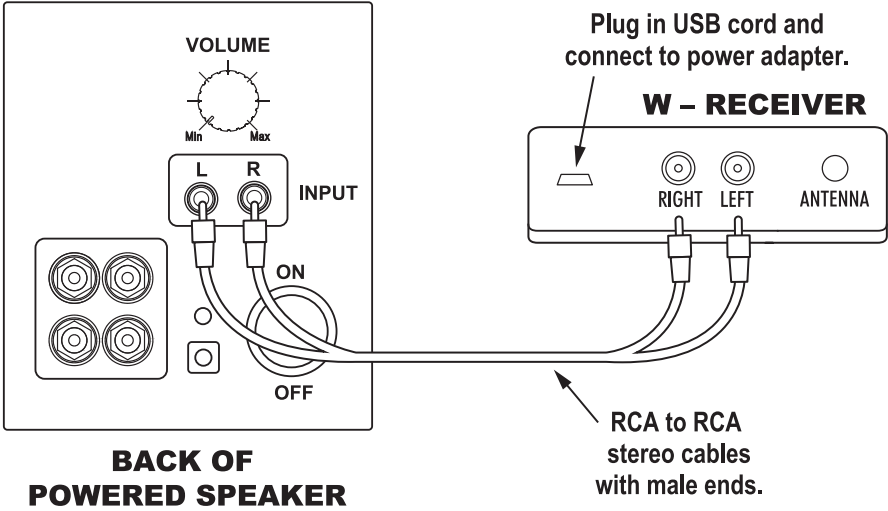
- 1) Set W-Transmitter and W-Receiver to the same channel located on the front of the units.



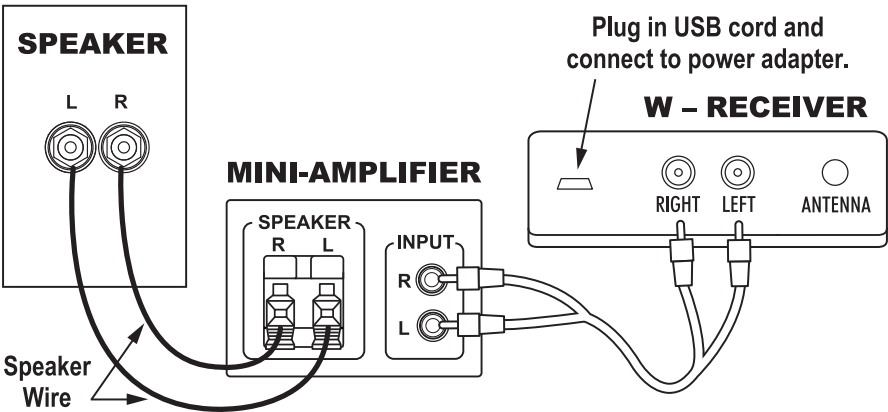
# STEREO SPEAKERS

**IMPORTANT SAFETY INFORMATION:** The WTR-SYS is not waterproof or weather resistant. If you are plugging into outdoor speakers, the WTR-SYS transmitter, receiver, USB cord and power adaptor must be located indoors. For outdoor speaker placement, longer cords may be necessary.

## Powered Speakers



## Non-Powered Speakers with External Amplifier



### **ADD ADDITIONAL POWERED SPEAKERS TO THE SAME CHANNEL!**

Great for both residential and commercial applications! Add multiple pairs of powered outdoor speakers or multiple pairs of powered speakers by purchasing additional B-I-C W-Receiver and setting them to the same WTR-SYS channel your first pair of speakers is set to (see front of W-Transmitter).

# Troubleshooting Guide

Once your WTR-SYS is set up, you should have many years of maintenance-free enjoyment from your system. However, if you should encounter a problem, refer to the following guide to help you find the solution. If a problem persists, please contact B·I·C Service at 877-558-4242, ext. #2.

Problem	Solutions
W-Transmitter and/or W-Receiver are connected but Status LED does not light up	a. Make sure both transmitter and receiver are connected to a power supply b. Switch to supplied USB AC Adapter
No Wireless Connection (W-Transmitter and W-Receiver Status lights are "Red")	a. Make sure your W-Transmitter and W-Receiver are both set to the same channel b. W-Receiver may be out of range. Try moving the receiver closer
W-Transmitter and W-Receiver are connected, but no audio occurs	a. Ensure that your source components are functioning properly b. Ensure that the audio levels are configured for audible output (volume at source and/or destination may be muted or turned too low)

## Warranty Information

Please read the LIMITED WARRANTY completely to fully understand your warranty/service coverage.

### WTR-SYS Limited Warranty

If this system proves to be defective in materials or workmanship within one year from the date of the original purchase, we will, at our option, repair or replace the defective product.

### \*DISCLAIMER

THE WARRANTY STATED HEREIN IS IN LIEU OF ALL OTHER WARRANTIES, EXPRESS OR IMPLIED, INCLUDING MERCHANTABILITY AND FITNESS FOR PARTICULAR PURPOSE AND ALL OTHER LIABILITIES AND OBLIGATIONS OF B·I·C AMERICA, ALL OF WHICH ARE EXPRESSLY DISCLAIMED. B·I·C AMERICA HAS NOT MADE AND DOES NOT HEREBY MAKE ANY OTHER REPRESENTATION, WARRANTY OR COVENANT WITH RESPECT TO THE CONDITION, QUALITY, DURABILITY, DESIGN, OPERATION, CAPACITY, FITNESS FOR USE OR SUITABILITY OF THE B·I·C ELECTRONIC PRODUCT.

### Exclusion of Certain Damages

B·I·C America's liability for any defective product is limited to repair or replacement of the product at our option. B·I·C America shall not be liable for incidental or consequential damages of any kind or char-

acter because of product defects. Some states do not allow limitations on how long an implied warranty lasts and/or do not allow the exclusion or limitation of incidental or consequential damages, so the above limitations and exclusions may not apply.

### This Warranty Does Not Cover:

- Damage caused by abuse, accident, misuse, negligence, or improper operation.
- Products that have been altered or modified.
- Any product whose serial number has been altered, defaced, or removed.
- Normal wear and maintenance.
- Damages caused by shipping. **(All claims for shipping damage must be made with the carrier.)**

### Warranty Service

If your WTR-SYS requires service, please call B·I·C America at 877-558-4242, ext. #2.

**All warranty repairs must be accompanied by the original bill of sale. No other document is acceptable or required.**

This warranty gives you specific legal rights, and you may also have other rights which vary from state to state.

Due to our continual efforts to improve product quality as new technology and techniques become available, B·I·C America reserves the right to revise specifications without notice.



[www.bicamerica.com](http://www.bicamerica.com)