

naxa®

CD RADIO CLOCK

MODEL NRC-175



**PLEASE READ THIS USER MANUAL COMPLETELY BEFORE
OPERATING THIS UNIT AND RETAIN THIS BOOKLET FOR
FUTURE REFERENCE.**

SAFETY INSTRUCTIONS



DANGEROUS VOLTAGE

The lightning flash with arrowhead symbol, within an equilateral triangle is intended to alert the user to the presence of uninsulated dangerous voltage within the product's enclosure that may be of sufficient magnitude to constitute a risk of electric shock to persons.



ATTENTION

The exclamation point within an equilateral triangle is intended to alert the user to the presence of important operating and maintenance (servicing) instructions in the literature accompanying the appliance.



DANGER:

Invisible and hazardous laser radiation when open and interlock failed or defeated. Avoid direct exposure to beam.

FCC WARNING:

This equipment may generate or use radio frequency energy. Changes or modifications to this equipment may cause harmful interference unless the modifications are expressly approved in the instruction manual. The user could lose the authority to operate this equipment if an unauthorized change or modification is made.

SURGE PROTECTORS:

It is recommended to use a surge protector for AC connection. Lightning and power surges ARE NOT covered under warranty for this product.

LASER SAFETY: This unit employs a laser. Only qualified service personnel should attempt to service this device due to possible eye injury.

CAUTION: USE OF CONTROLS, ADJUSTMENTS OR PERFORMANCE PROCEDURE HEREIN MAY RESULT IN HAZARDOUS RADIATION EXPOSURE.

INFORMATION

This equipment has been tested and found to comply with the limits for a Class B digital device, pursuant to Part 15 of the FCC Rules. These limits are designed to provide reasonable protection against harmful interference in a residential installation. This equipment generates, uses, and can radiate radio frequency energy and, if not installed and used in accordance with the instructions, may cause harmful interference to radio communications. However, there is no guarantee that interference will not occur in a particular installation. If this equipment does cause harmful interference to radio or television reception, which can be determined by turning the equipment off and on, the user is encouraged to try to correct the interference by one or more of the following measures:

- Reorient or relocate the receiving antenna.
- Increase the separation between the equipment and receiver.
- Connect the equipment into an outlet on a circuit different from that to which the receiver is connected.
- Consult the dealer or an experienced radio/TV technician for help.

SAFETY INSTRUCTIONS (CONTINUED)

Before using the unit, be sure to read all operating instructions carefully. Please note that these are general precautions and may not pertain to your unit. For example, this unit may not have the capability to be connected to an outdoor antenna.

1. READ INSTRUCTIONS

All the safety and operating instructions should be read before the product is operated.

2. RETAIN INSTRUCTIONS

The safety and operating instructions should be retained for future reference.

3. HEED WARNINGS

All warnings on the product and in the operating instructions should be adhered to.

4. FOLLOW INSTRUCTIONS

All operating and use instructions should be followed.

5. CLEANING

Unplug this product from the wall outlet before cleaning. Do not use liquid cleaners or aerosol cleaners. Use a dry cloth for cleaning.

6. ATTACHMENTS

7. WATER AND MOISTURE

Do not use this product near water—for example: near a bathtub, washbowl, kitchen sink or laundry tub; in a wet basement; or near a swimming pool.

8A. An appliance and cart combination should be moved with care. Quick stops, excessive force and uneven surfaces may cause the appliance and cart combination to overturn.

9. VENTILATION Slots and openings in the cabinet and in the back or bottom are provided for ventilation, to ensure reliable operation of the product and to protect it from overheating. These openings must not be blocked or covered. The openings should never be blocked by placing the product on a bed, sofa, rug or other similar surface. This product should never be placed near or over a radiator or heat source. This product should not be placed in a built-in installation such as a bookcase or rack unless proper ventilation is provided or the manufacturer's instructions have been adhered to.

PORTABLE CART WARNING (symbol provided by RETAC)
WARNING (symbol provided by RETAC)



10. POWER SOURCES This product should be operated only from the type of power source indicated on the marking label. If you are not sure of the type of power supply to your home, consult your appliance dealer or local power company. For products intended to operate from battery power, or other sources, refer to the operating instructions.

11. GROUNDING OR POLARIZATION This product is equipped with a polarized alternating-current line plug (a plug having one blade wider than the other). This plug will fit into the power outlet only one way. This is a safety feature. If you are unable to insert the plug fully into the outlet, try reversing the plug. If the plug should still fail to fit contact your electrician to replace your obsolete outlet. Do not defeat the safety purpose of the polarized plug.

12. POWER-CORD PROTECTION Power-supply cords should be routed so that they are not likely to be walked on or pinched by items placed upon or against them, paying particular attention to cords at plugs, convenience receptacles, and the point where they exit from the appliance.

13. LIGHTNING To protect your product from a lightning storm, or when it is left unattended and unused for long periods of time, unplug it from the wall outlet and disconnect the antenna or cable system. This will prevent damage to the product due to lightning and power-line surges.

14. POWER LINES An outside antenna system should not be located in the vicinity of overhead power lines or other electric light or power circuits, or where it can fall into such power lines or circuits. When installing an outside antenna system, extreme care should be taken to keep from touching such power lines or circuits as contact with them might be fatal.

SAFETY INSTRUCTIONS (CONTINUED)

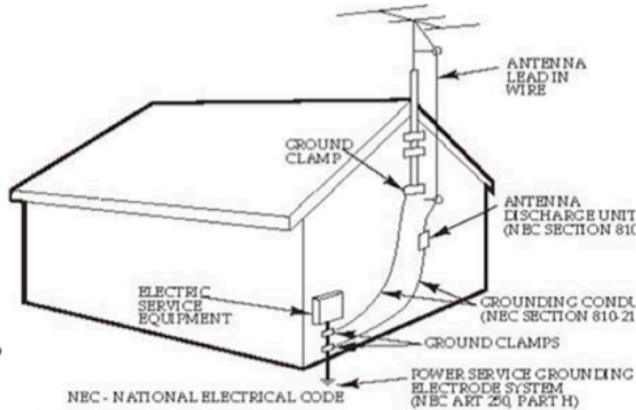
15. OVERLOADING

Do not overload wall outlets and extension cords as this can result in a risk of fire or electric shock.

16. OBJECT AND LIQUID ENTRY Never push objects of any kind into this product through openings as they may touch dangerous voltage points or short out parts that could result in fire or electric shock. Never spill or spray any type of liquid on the product.

17. OUTDOOR ANTENNA

GROUNDING If an outside antenna is connected to the product, be sure the antenna system is grounded so as to provide some protection against voltage surges and built-up static charges. Section 810 of the National Electric Code, ANSI/NFPA 70, provides information with respect to proper grounding of the mast and supporting structure, grounding of the lead-in wire to an antenna discharge product, size of grounding conductors, location of antenna discharge product, connection to grounding electrodes and requirements for grounding electrodes.



S2898A

EXAMPLE OF ANTENNA GROUNDING AS PER NATIONAL ELECTRICAL CODE

18. SERVICING Do not attempt to service this product yourself as opening or removing covers may expose you to dangerous voltage or other hazards. Refer all servicing to qualified service personnel.

19. REPLACEMENT PARTS When replacement parts are required, be sure the service technician uses replacement parts specified by the manufacturer or those that have the same characteristics as the original part. Unauthorized substitutions may result in fire, electric shock or other hazards.

20. SAFETY CHECK Upon completion of any service or repairs to this product, ask the service technician to perform safety checks to determine that the product is in proper operating condition.

21. WALL OR CEILING MOUNTING

The product should be mounted to a wall or ceiling only as recommended by the manufacturer.

22. DAMAGE REQUIRING SERVICE Unplug the product from the wall outlet and refer servicing to

qualified service personnel under the following conditions:

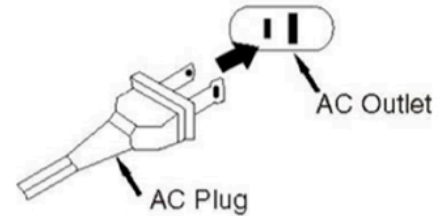
- ? When the power-supply cord or plug is damaged.
- ? If liquid has been spilled or objects have fallen into the product.
- ? If the product has been exposed to rain or water.
- ? If the product does not operate normally by following the operating instructions. Adjust only those controls that are covered by the operating instructions, as an adjustment of other controls may result in damage and will often require extensive work by a qualified technician to restore the product to its normal operation.
- ? If the product has been dropped or the cabinet has been damaged.
- ? When the product exhibits a distinct change in performance—this indicates a need for service.

23. HEAT The product should be situated away from heat sources such as radiators, heat registers, stoves or other products (including amplifiers) that produce heat.

24. NOTE TO CATV SYSTEM INSTALLER This reminder is provided to call the CATV system installer's attention to Article 820-40 of the NEC that provides guidelines for proper grounding and, in particular, specifies that the cable ground shall be connected to the grounding system of the building, as close to the point of cable entry as practical.

INSTALLATION

Unravel the AC cord and connect it to a conveniently located AC outlet having 120V and 60Hz only. The Clock Display will illuminate and "12:00" will appear in the window. NOTE: If the AC plug does not fit into a nonpolarized outlet, do not file or cut the wide blade. It is the user's responsibility to have an electrician replace the obsolete outlet.

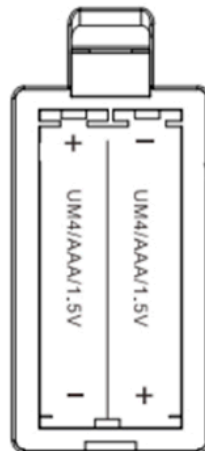


If the AC cord is disconnected or if there is a power failure, this electronic clock is designed to continue operating internally (without showing the time on the Clock Display) with a 3 volt battery (not included). To install the battery, press and lift open the compartment cover. Connect the battery to the terminals of the battery snap inside the compartment (use of an alkaline battery is recommended) and snap the battery compartment cover back into place.

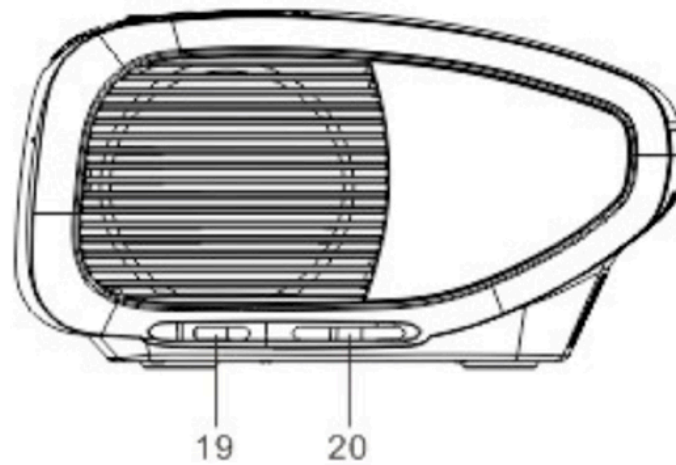
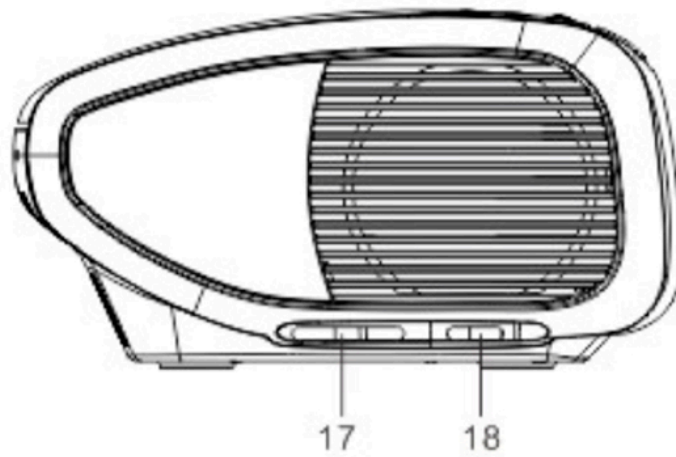
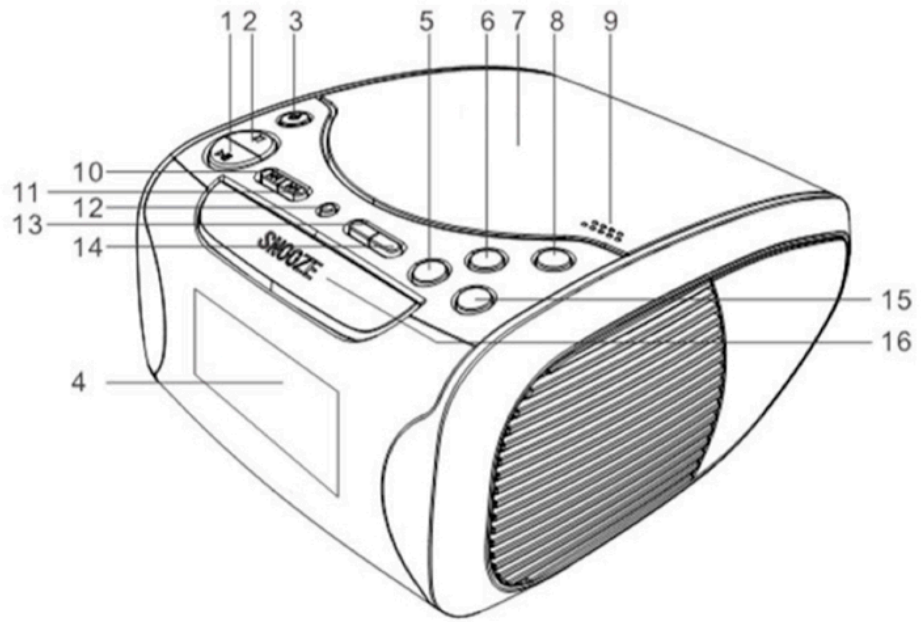
BATTERY PRECAUTIONS

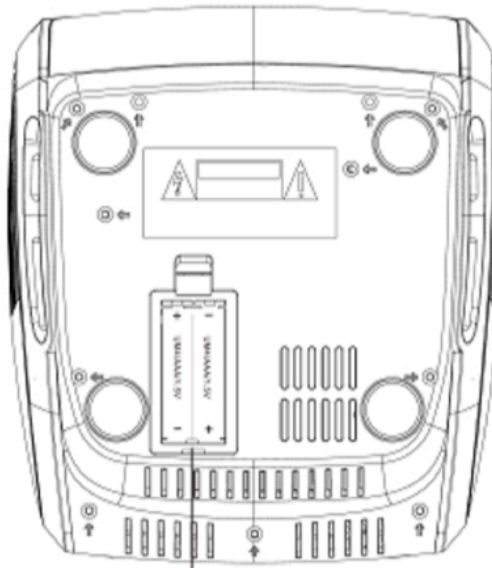
Follow these precautions when using a battery in this device:

1. Use only the size and type of battery specified.
2. Be sure to follow the correct polarity when installing the battery as indicated in the battery compartment. A reversed battery may cause damage to the device.
3. If the device is not to be used for a long period of time, remove the battery to prevent damage or injury from possible battery leakage.
4. Do not try to recharge a battery not intended to be recharged; it can overheat and rupture. (Follow battery manufacturer's directions.)

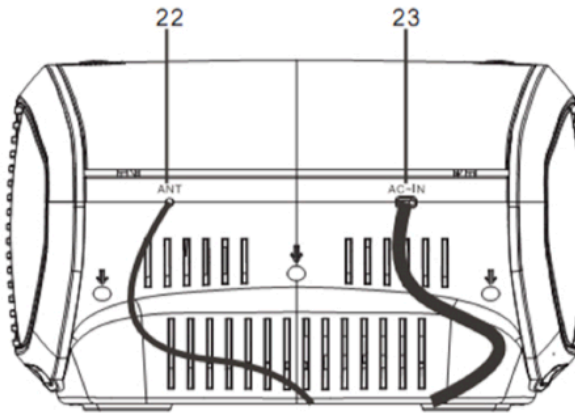


LOCATION OF CONTROLS





21



22

23

1. **PLAY/PAUSE**
2. **STOP Button**
3. **ON/OFF Button**
4. **DISPLAY**
5. **TIME-DISP**
6. **REP/PROG**
7. **CD DOOR**
8. **FUNCTION**
9. **OPEN/CLOSE**
10. **REV/MIN**
11. **FWD/HR**
12. **TIME-SET**
13. **AL1-SET**
14. **AL2-SET**
15. **SLEEP /RANDOM Button**
16. **SNOOZE Button**

17. **VOLUME Control**
18. **DIMMER**
19. **FM/AM Selector**
20. **Tuning Button**
21. **Battery compartment(For clock back up)**
22. **FM Antenna wire(rear of unit)**
23. **AC~IN**

POWER SOURCE

This unit operates from AC120V/60Hz line power supply.

AC OPERATION

Connect AC Power Cord to a wall outlet with AC120V/60Hz power supply.

RADIO OPERATION

TO PLAY THE RADIO

Connect AC Power Cord to a wall outlet with AC120V/60Hz power supply.

- 1) Press the ON/OFF(#3) to turn the unit on. The unit will default into "Radio" station.
- 2) Slide the FM/AM Switch(# 19)to the desired band(AM or FM).
- 3) Tune a station by turning the TUNING control(#20).
Please noted the unit default into FM STEREO.
- 4) Adjust the VOLUEM control as desired.

Antennas

FM:Extend the FM antenna wire (**#22**) for better FM reception.

AM:Turn the unit for better AM reception.

CD OPERATION

TO PLAY A CD

- 1) Press the ON/OFF(#3) to turn the unit on. The unit will default into "Radio" station.
- 2) Press the FUNCTION Button(#8) to change into "CD" position.
- 3) Open the CD compartment door (#7)by pressing the OPEN/CLOSE area(#9).Insert a disc and close the CD compartment door.
- 4) To play a disc from the beginning,press the PLAY/PAUSE Button(#1).The track which is playing is light.Press the PLAY/PAUSE Button(#1) again to pause playback;Press the PLAY/PAUSE Button(#1) once again to continue playback.
- 5) Adjust the VOLUME control(#17)as desired
- 6) Press the STOP Button(#2) to stop the disc before it is finished.
- 7) Press the ON/OFF Button(#3) to turn off the unit.

TO SKIP/SEARCH

- 1) Press the ON/OFF Button(#3) to turn on the unit,insert a CD and press the PLAY/PAUSE(#1) Button to begin playback.
- 2) Press FWD/HR button(#11) or REV/MIN button(#10) to select a desired track.Press and hold the FWD/HR button(#11) or REV/MIN button(#10) to quickly search for a musical passage.

NOTES:

- If a disc is inserted incorrectly,dirty or damaged,it will not play.
- To prevent damage to the disc,never open the CD door while the disc is rotating.Wait for the disc to stop before opening the CD door.Never touch the lens when the CD door is open.
- The CD player should only be used on a steady surface.

RANDOM PLAYBACK

To randomly playback the tracks on a CD,press the SLEEP/RANDOM button(#15) for 2seconds,the RDM indicator light.Press FWD/HR button(#11) or REV/MIN button(#10) to select random track.TO CANCEL,press SLEEP/RANDOM button(#15) again for 2 seconds.The RDM indicator disappear.

TO REPEATEDLY PLAY BACK ONE TRACK/ALL TRACKS

- 1) To repeat a single track,press the REP/PROG button(#6) once;the REP indicator will light.Press the PLAY/PAUSE button(#1) to begin playback.Press the FWD/HR button(#11) or REV/MIN button(#10) to select the specific track that you wish to repeat.The specific track you selected will be repeated continuously.
- 2) To repeat all of the tracks on a disc continuously,press the REP/PROG button(#6) twice,the REP indicator will blink.Press the PLAY/PAUSE button(#1) to begin playback.All tracks will be repeated continuously.

TO CANCEL,press the REP/PROG(#6) again,the REP indicator will turn off.

CD PROGRAMMED PLAY

1. Under CD stop condition,long press the REP/PROG button(#6) to enter programmed station.
2. Press FWD/HR button(#11) or REV/MIN button(#10) to select the song to be programmed.
3. Press the REP/PROG Button (#6) again to store selection. The Display (#4) will advance to "02".
4. Press the FWD/HR button(#11) or REV/MIN button(#10) to select the next song to be programmed and press the REP/PROG Button (#6) to store selection.
5. You may repeat steps #2 - #3 to program as many as 20 tracks. If you attempt to program more than 20 tracks, the Display(#4) will revert to "01" and the old entry will be overwritten by the current new entry!
6. Press STOP Button (#2) to end programming and return to normal play mode.
7. To check the programmed tracks, press REP/PROG Button (#6) continuous to show all the programmed songs. The Display (#4) will display the program number first and then followed by the flashing track number.
8. Press PLAY/PAUSE Button (#1) to begin programmed play. The first track in program will appear in the Display (#4) and the **PROG Indicator** will light steadily.
9. To cancel programmed play, press the STOP Button (#2).

CLOCK/ALARM SETTING

TO SET OR RESET THE ACTUAL TIME

When unit turn off:

- 1) Press the TIME-SET(#5) to select 12hours style and 24hours style.
- 2) Long press the TIME-SET(#5) to adjust the time.The time on display will flash.
- 3) Press the REV/MIN(#10) and FWD/HR(#11) to set the minutes and hours.Long press the REV/MIN or RWD/HR to quickly select the time.
- 4) After adjusting the time,press the TIME-SET to keep the time.

When unit on:

- 1) Press TIME-SET(#5) to show the time,press TIME-SET(#5) again to select 12hours or 24hours style.
- 2) Long press the TIME-SET(#5) to adjust the time.The time on display will light.
- 3) Press the REV/MIN(#10) and FWD/HR(#11) to set the minutes and hours.Long press the REV/MIN or RWD/HR to quickly select the time.
- 4) After adjusting the time,press the TIME-SET to keep the time.

TO SET OR RESET THE ALARM TIME

- 1) Press the ALM1-SET(#13) or ALM2-SET(#14) once to check the time ,press twice to check the ALARM style(CD/RADIO/BUZZ),press third time to open or close the ALARM.
- 2) Long press ALM1-SET(#13) or ALM2-SET(#14) to set the alarm and also the ALARM be opened automatically.At this time,ALARM1 or ALARM 2 indicator will flash.
- 3) Press REV/MIN(#10) and FWD/HR(#11) to set the hour and minutes. Long press the REV/MIN or RWD/HR to quickly select the time.
- 4) After setting,press ALM1-SET(#13) or ALM2-SET(#14) to keep the alarm time.Then press the REV/MIN(#10) and FWD/HR(#11) to choose the alarm style((CD/RADIO/BUZZ),at last press ALM1-SET(#13) or ALM2-SET(#14) to keep it.

Remark:if chose alarm style as CD or RADIO,when alarm ringing,then 59 minutes later,unit will turn off automatically.If BUZZ style,1 minute later,it will turn off.

- 5) When ringing,ALARM 1 or ALARM 2 indicator will flash accordingly.
- 6) Press any button to turn off the ALARM function except the SNOOZE button.

SNOOZE FUNCTION

When ringing,press SNOOZE button (#16) to turn off the alarm and the unit enter SNOOZE station,the SNOOZE indicator will light and the indicator of ALARM 1 or ALARM 2 will flash.The alarm will turn back on automatically 5 minutes later,the indicator of SNOOZE will turn off.The unit can be repeated endlessly.

SLEEP FUNCTION

TO ACTIVATE THE SLEEP FUNCTION

1.When the unit turn off,press SLEEP /RDM button(#15) to set in "90minutes" and the unit will turn on automatically.At this time,the SLEEP indicator will light.Press twice to set "60minutes",press third times to set "30minutes",press four times to set "15 minutes",press five times to turn off the unit automatically.

Remark:if press ON/OFF button(#3) to turn on the unit,it will show "off" when press at fifth time and cancel the SLEEP setting automatically after a moment.

2. After setting the SLEEP time a moment, press SLEEP/RDM button (#15) once again to check the rest of the time and then it will change into the station to set the SLEEP time.

BATTERY POWER OPERATION for back-up clock

1. Open the **Battery compartment (For clock back up) (#21)** on the underside of the unit. Replace the cover properly.

2. Insert (2) "AAA" 1.5V batteries (not included) following the polarity as indicated in the compartment to the right. Alkaline batteries are recommended for long using time. (2) "AAA" 1.5V batteries for back-up, after cutting off the AC Power supply, the Time information will be kept.

The Time information will be lost when the battery is moved.

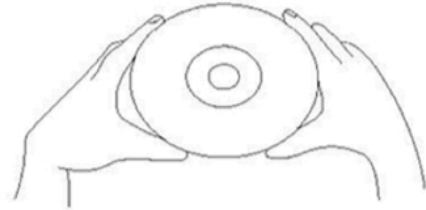
DIMMER BUTTON

Slide the DIMMER selector (#18) to the HI position to make the display brighter or to the LO position to make the display dimmer.

CARE AND MAINTENANCE

Caring for Compact Discs

- Treat the disc carefully. Handle the disc only by its edges. Never allow your fingers to come in contact with the shiny, unprinted side of the disc.
- Do not attach adhesive tape, stickers, etc. to the disc label.
- Clean the disc periodically with a soft, lint-free, dry cloth. Never use detergents or abrasive cleaners to clean the disc. If necessary, use a CD cleaning kit.
- If a disc skips or gets stuck on a section of the disc, it is probably dirty or damaged (scratched).
- When cleaning the disc, wipe in straight lines from the center of the disc to the outer edge of the disc. Never wipe in circular motions.



- This unit is designed to play only discs bearing the identification logo as shown here. Other discs may not conform to the CD standard and may not play properly.
- Discs should be stored in their cases after each use to avoid damage.
- Do not expose discs to direct sunlight, high humidity, high temperatures, or dust, etc. Prolonged exposure or extreme temperatures can warp the disc.
- Do not stick or write anything on either side of the disc. Sharp writing instruments or the ink may damage the surface.



Cleaning the Unit

- To prevent fire or shock hazard, disconnect your unit from the AC power source when cleaning.
- The finish on your unit may be cleaned with a dust cloth and cared for as other furniture. Use caution when cleaning and wiping the plastic parts.
- Mild soap and a damp cloth may be used on the front panel.

TROUBLESHOOTING GUIDE

If you experience a problem with this unit, check the chart below before calling for service.

SYMPTOM	CAUSE	SOLUTION
Unit will not turn on.	AC cord not connected.	Check AC cord connection.
Disc will not play.	CD compartment door not closed.	Close CD compartment door.
	Disc inserted incorrectly.	Reinsert disc correctly.
	Dirty or defective CD.	Try another disc.
No sound.	Moisture condensation on disc.	Wipe disc with soft cloth.
	VOLUME control set to minimum.	Increase volume.
	Defective disc.	Try another disc.
Erratic playback.	Dirty or defective disc.	Clean or replace disc.
Time reset to "12:00"	Battery connected improperly, not connected or dead.	Check the battery.
	Clock not set.	Set the clock.
Alarm does not turn on.	ALARM MODE switch not in correct position.	Press AL1 or AL2 SET button to activate alarm.
	Clock is not set.	Set the clock.
	Alarm time is not set.	Set the alarm time.
AM or FM, no sound.	Power is not on.	Press the POWER button.
	VOLUME control set to minimum.	Increase volume.

SPECIFICATIONS

Specifications are subject to change without notice.

General: Power Source Battery Audio Power Output
120V~AC, 60Hz 3V DC(for back up of the clock)

Radio Section: Frequency Range (FM) Frequency Range (AM)

FM:88 - 108 mHz

AM:530 - 1710 kHz