



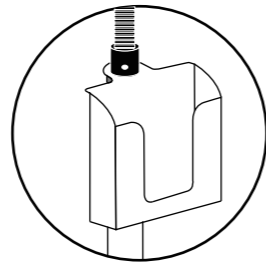
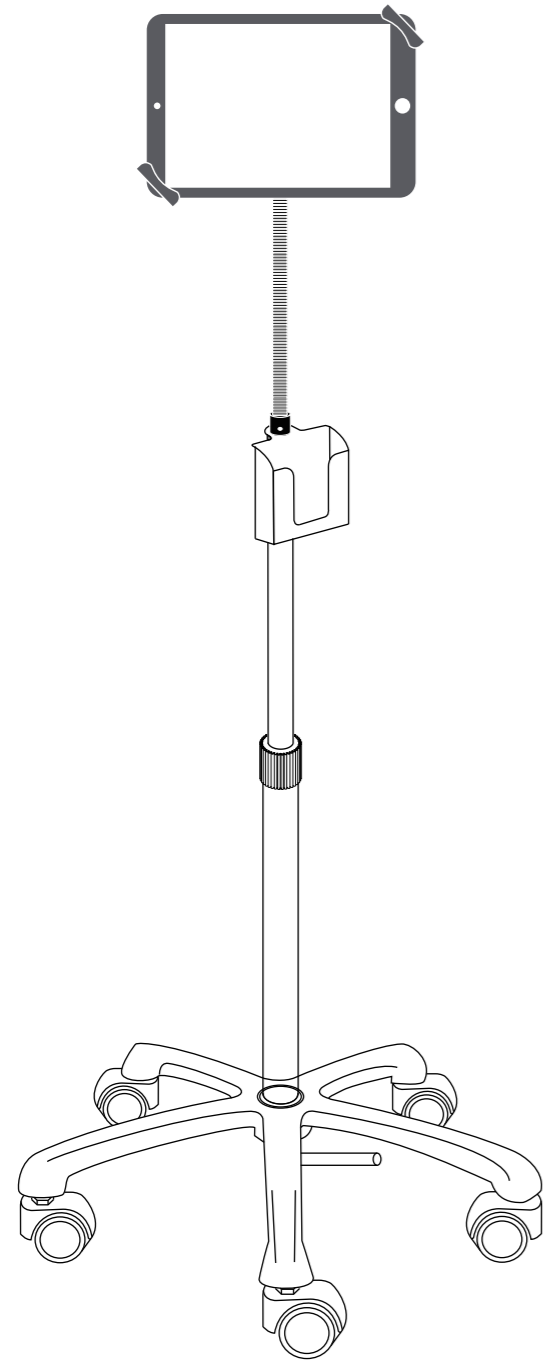
CTA DIGITAL

PAD-SHFS

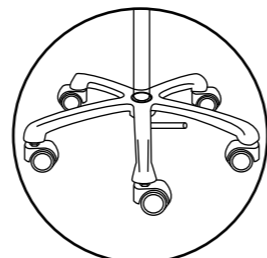
Heavy-Duty Security Gooseneck Floor Stand for 7-13 Inch Tablets

INSTRUCTION MANUAL

Thank you for choosing CTA Digital's product. We hope that you will enjoy using it. Please follow the guidelines and instructions as laid out in this instruction manual.



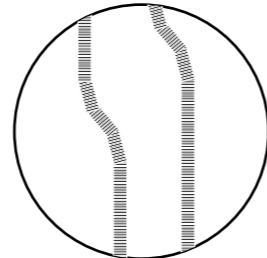
Attachable battery-pack cradle



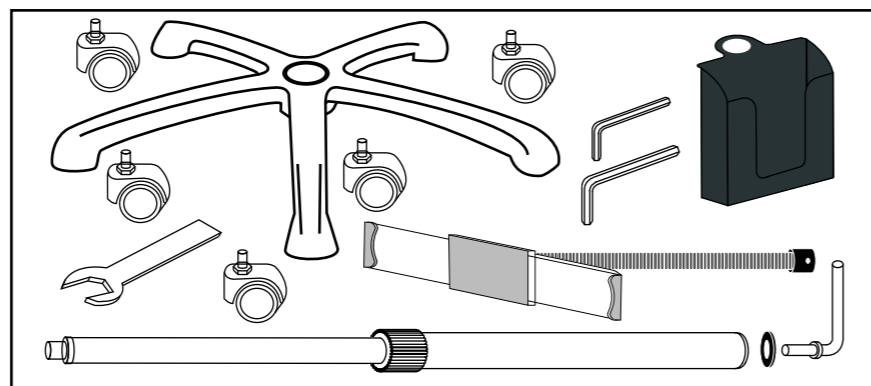
Attachable and detachable swivel casters



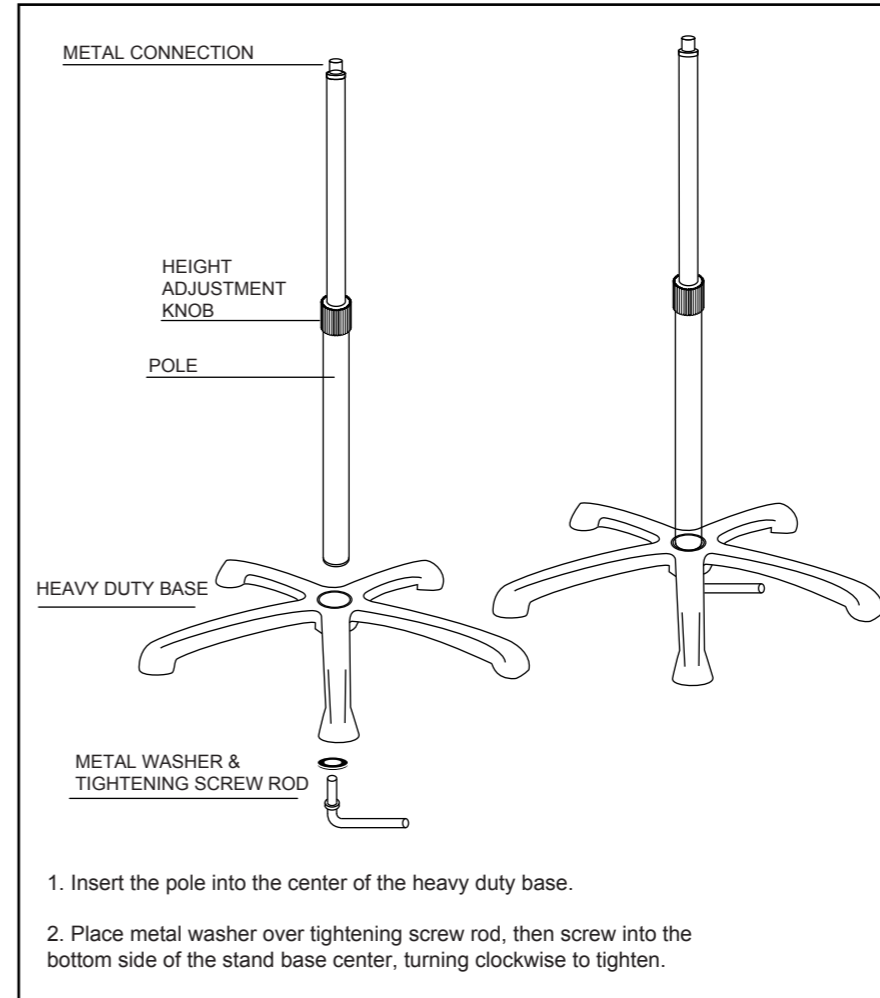
Adjustable holder for tablets 7 - 13 inches



Ultra-flexible and sturdy gooseneck

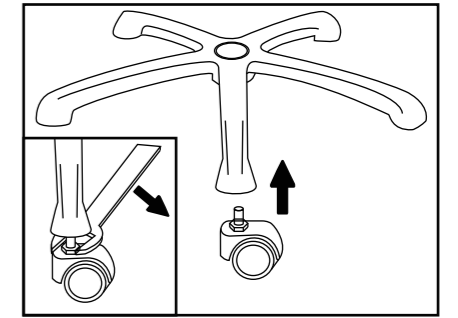


Instructions: 1. Stand Assembly:

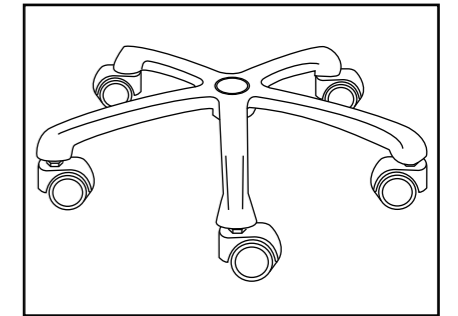


1. Insert the pole into the center of the heavy duty base.
2. Place metal washer over tightening screw rod, then screw into the bottom side of the stand base center, turning clockwise to tighten.

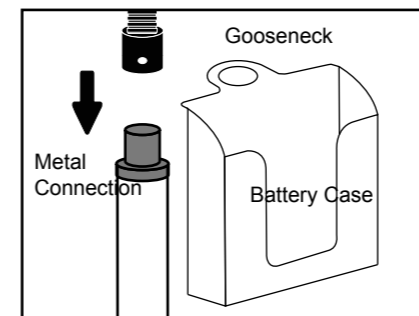
Attaching wheels: Connect wheels to stand base before attaching pole.



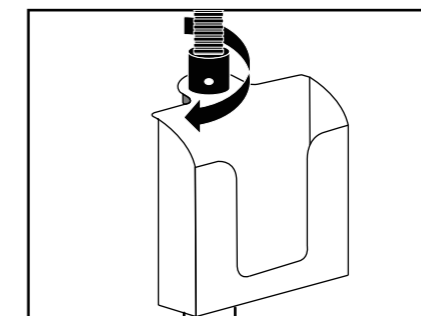
Screw wheels into floor base by hand, then use wrench to tighten.



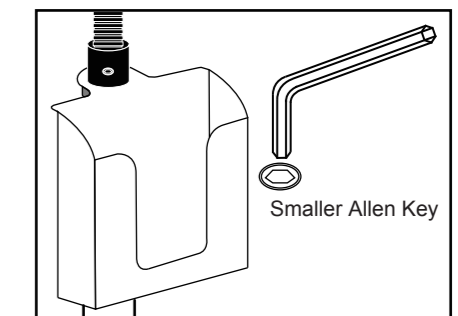
2. Connecting the Tablet gooseneck holder



1. Screw wheels into floor base by hand, then use wrench to tighten.

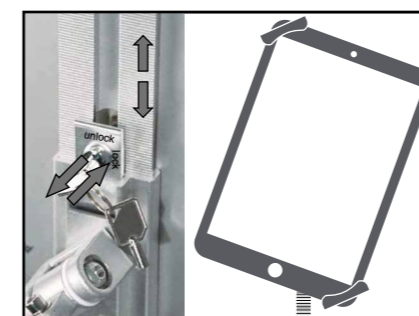


2. Screw wheels into floor base by hand, then use wrench to tighten.

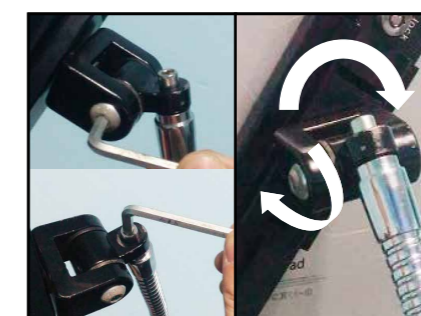


3. Screw up the small meter screw inside the gooseneck to tighten the connection by the Smaller Allen Key.

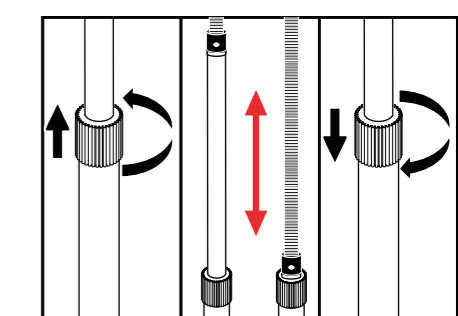
3. Installing your Device and Adjusting the Floor Stand:



1. Unlock the holder with the key to slide out the arms, install your tablet and adjust the arms to hold it well and then lock the holder again.



2. Tighten and loosen the gooseneck to holder connection screw to adjust ease of rotation.



3. Rotate plastic grip counter clockwise to loosen, then adjust pole to desired height. Rotate plastic grip clockwise to tighten.