

Caution: Please read the entire manual before proceeding view warranty and disclaimer on page 15.

Getting Started

Before we start lets make sure we have the correct mount and all the required tools and hardware to complete the installation.

- ✓ The TV is a flat panel TV between 37" - 86" and weighs no more than 130lbs.
- ✓ The wall the TV will be mounted on is either concrete or dry wall with wood studs.
- ✓ You have all of the following tools:



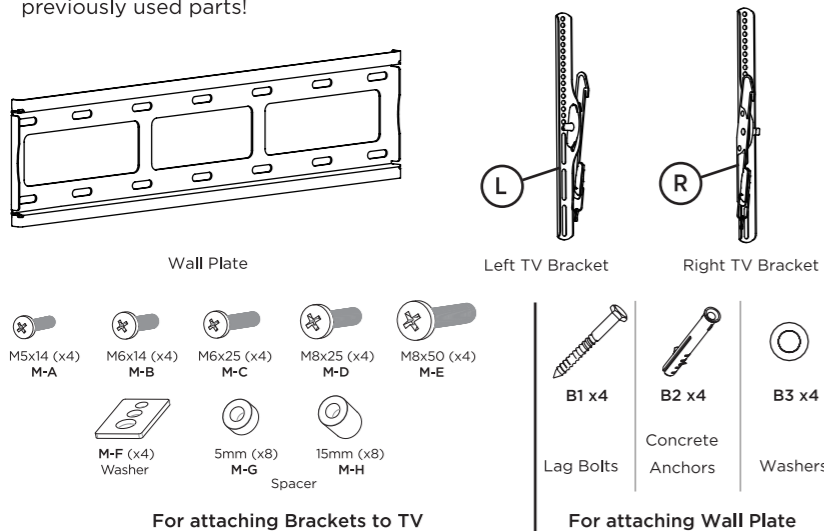
If you answer "Yes" to all the questions above then you are ready to begin the TV Mount installation!

2

Caution: This product contains small items that could be a choking hazard if swallowed.

Parts & Hardware

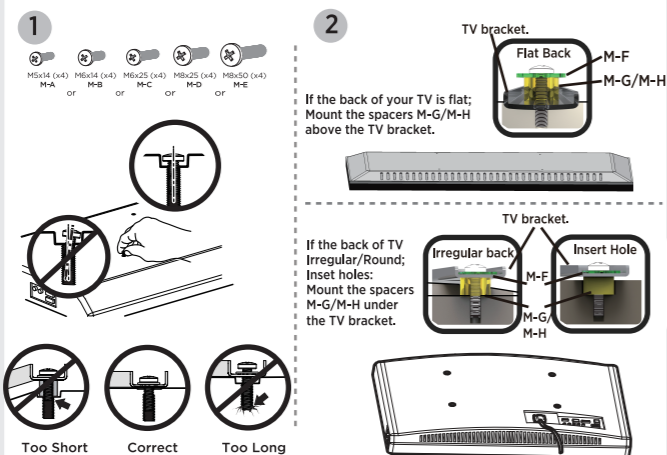
Caution: Before starting assembly, verify all parts are included and undamaged. If any parts are missing or damaged, do not return the damaged item to your dealer; contact customer service. Never use damaged parts or previously used parts!



3

Step 1: Select TV Screws

- Hand thread screws into the threaded inserts on the back your TV to determine which screw diameter to use.
- Determine whether your TV has a flat back or an irregular or obstructed back.



4

Step 2: Attach TV Bracket

- Position your TV bracket over your TV hole pattern, making sure the brackets are vertically centered and level.
- Install TV bracket with the screw and washer or spacer you selected for your TV.

Tools Required:

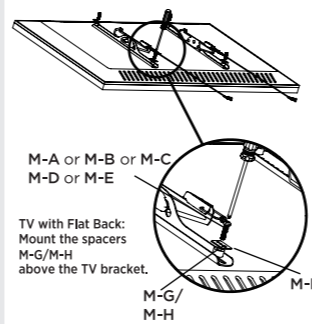


5

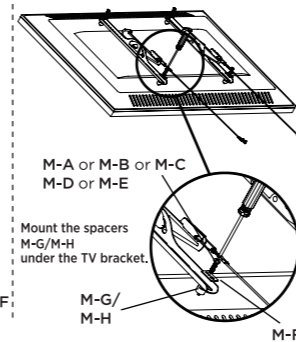
Caution: Hand tighten with screwdriver only, over tightening may damage the TV!

Do not use a power tool for this step!

TV with Flat Back



TV with Irregular/Round back; Inset holes:



Caution: If you are unable to line up the hardware with the TV, please call: 1-855-816-6868

Step 3A: Install Wall Plate on Drywall with Wood Stud

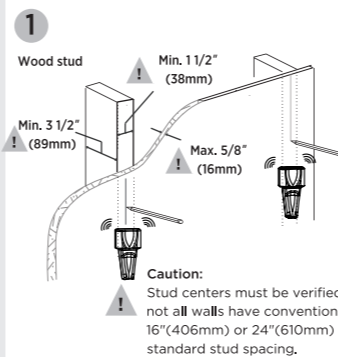
Note: For Concrete skip to Step 2B

- Use the studfinder to locate 2 studs, and then draw a vertical line on the center of each stud.
- Level wall plate and align at center of studs. Make 4 pencil marks to indicate where to drill.

Tools Required:



6

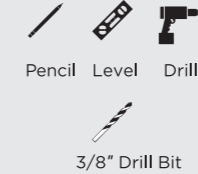


Caution: Stud centers must be verified, not all walls have conventional 16" (406mm) or 24" (610mm) standard stud spacing.
The minimum size of the wood stud must be 2"x 4" (51x 102mm).
The thickness of dry wall must not exceed 5/8" (16mm).

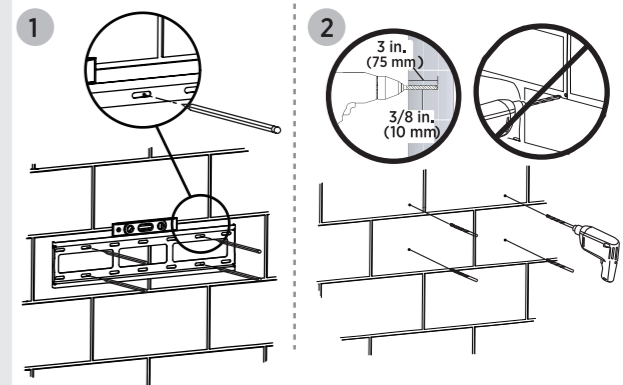
Step 3B: Install Wall Plate on Concrete

- Level the wall plate and make 4 marks with pencil to show where to drill the pilot holes.
- Remove the wall plate and drill the pilot holes with a 3/8" drill bit.

Tools Required:



8



Caution: The minimum depth of the concrete must be 8". Do not drill pilot holes into the mortar between the concrete.

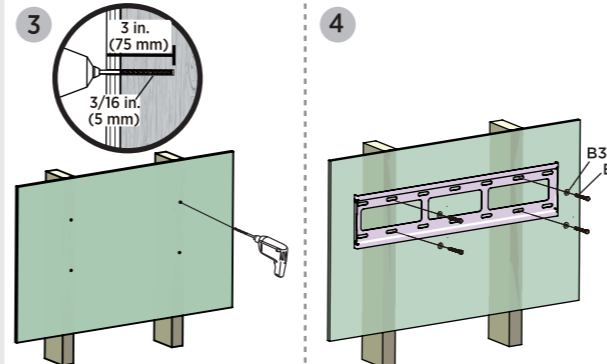
9

- Remove the wall plate and drill the pilot holes with a 3/16" drill bit.
- Align the wall plate with the pilot holes and insert 4 bolts through the washer in the pilot holes and tighten.

Tools Required:



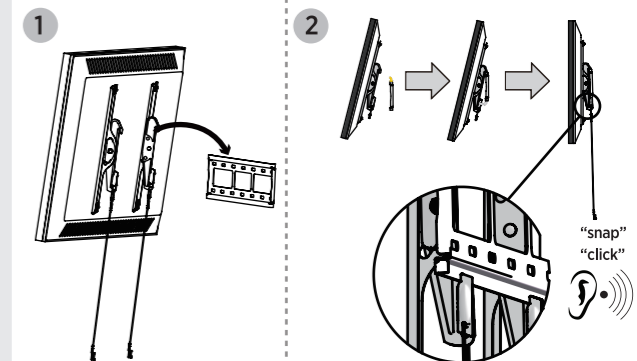
7



Step 4: Hang Your TV

- To hang your TV, clip the TV rails to the mounted wall plate.
- After the TV is hanging properly on the wall plate, press on the bottom of the TV to the wall plate until you hear an audible click.

Warning: TV should always be lifted by 2 people.



Caution: Listen for a "Click" to ensure mount is locked in place.

10