

Caution: Please read the entire manual before proceeding view warranty and disclaimer on page 14.

Getting Started

Before we start lets make sure we have the correct mount and all the required tools and hardware to complete the installation.

- ✓ The TV is a Flat Panel TV between 32" - 60" with a maximum of 400x400 VESA and weighs no more than 60lbs.
- ✓ The Wall the TV will be mounted on is either concrete or dry wall with wood studs.
- ✓ You have all of the following tools:



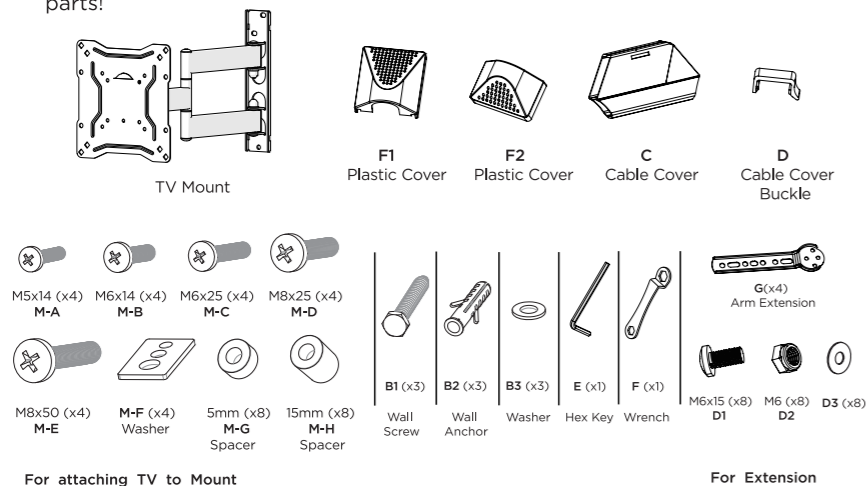
If you answer "Yes" to all the questions above then you are ready to begin the TV Mount installation!

2

Caution: This product contains small items that could be a choking hazard if swallowed.

Parts & Hardware

Caution: Before starting assembly, verify all parts are included and undamaged. If any parts are missing or damaged, do not return the damaged item to your dealer; contact Customer Service. Never use damaged parts or previously used parts!



3

Step 1: Preparation

1 Check what screw size will fit in your TV (M-A, M-B, M-C, M-D, M-E).

Note: If Your TV has a curved back you may need to use longer screws with spacers (M-G, M-H).

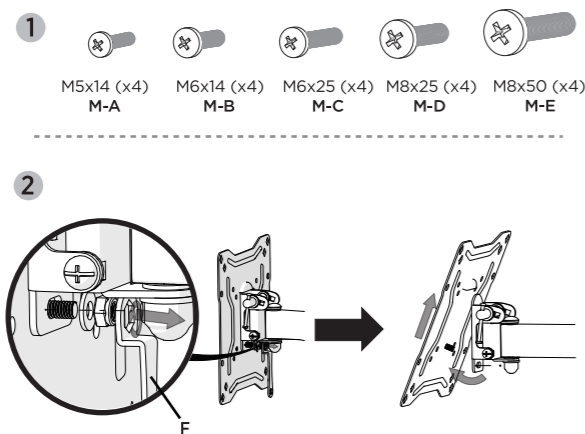
2 Loosen the nut and removed VESA plate from TV Mount.

Tool Required:



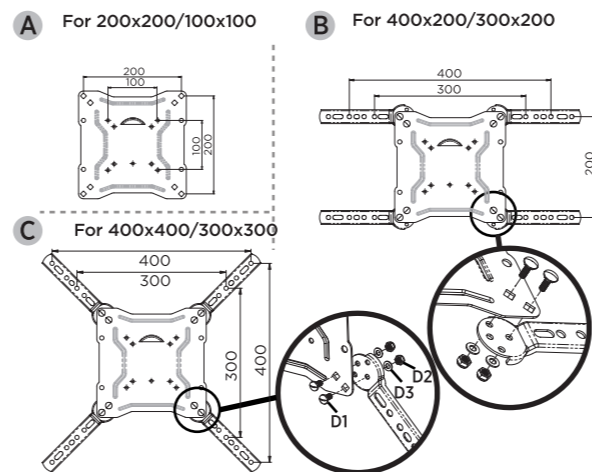
Wrench

4



Step 2A: VESA plate configuration

1 Check screw hole pattern at back of TV, and configure VESA plate accordingly.



Tool Required:



6mm Wrench

5

Step 2B: Attach TV to Mounting Plate

1 Then attach the VESA plate prepared in Step 2 onto the back of TV using the appropriate hardware.

Note: If Your TV has a curved back you may need to use longer screws with spacers (M-G, M-H).

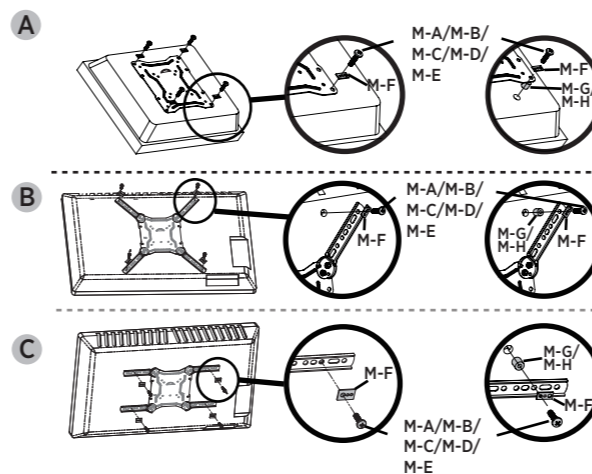
Tools Required:



Screwdriver

6

Caution: Hand tighten with screwdriver only, over tightening may damage the TV! Do not use an electric drill for this step!

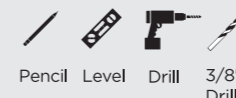


Step 3B: Install Wall Plate on Concrete

1 Level the wall plate and make 3 marks with pencil to show where to drill the pilot holes.

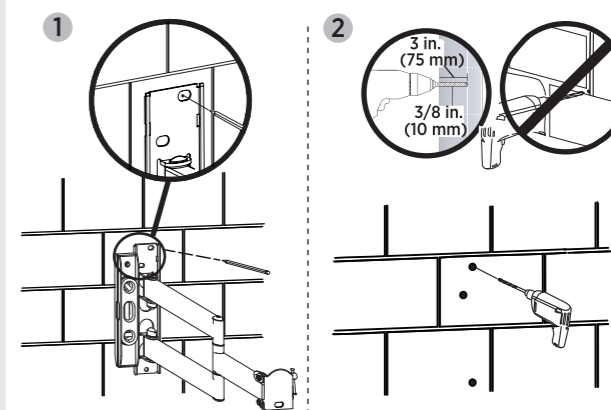
2 Remove the wall plate and drill the pilot holes with a 3/8" drill.

Tools Required:



Pencil Level Drill 3/8" Drill

9



Caution: The minimum depth of the concrete must be 8". Do not drill pilot holes into the mortar between the concrete.

Step 3A: Install Wall Plate on Drywall with Wood Stud

Note: For Concrete skip to Step 3B

1 Use a stud finder to locate 1 stud. Then draw a vertical line to mark the center of the stud.

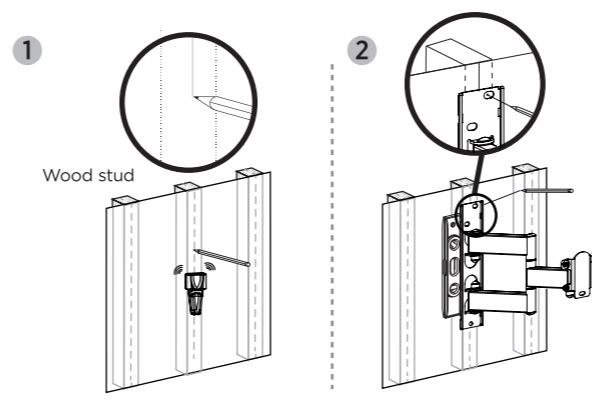
2 Level the wall plate and align it with the center of the studs. Make 3 Pencil marks to indicate where to drill.

Tools Required:



Pencil Level Stud Finder

7



Caution: The minimum size of the woodstud must be 2"x 4" and the thickness of the drywall must not exceed 5/8".

3 Insert the anchors into the 3 pilot holes. Tap with a Hammer.

4 Align wall plate with pilot holes and anchors. Insert 3 bolts through washers and anchors then tighten with wrench.

Note: Use bubble level to level the mount before fully tightening all screws.

Tools Required:



Hammer 6mm Wrench Level

10

