

**Caution:** Please read the entire manual before proceeding  
View warranty and disclaimer on page 13

## Getting Started

Before we start lets make sure we have the correct mount and all the required tools and hardware to complete the installation.

- ✓ The TV is a Flat Panel TV between 40" - 86" and weighs no more than 130lbs.
- ✓ The Wall the TV will be mounted on is either concrete or dry wall with wood studs.
- ✓ You have all of the following tools:



If you answer "Yes" to all the questions above then you are ready to begin the TV Mount installation!

2

## Step 2A: Install Wall Plate on Drywall with Wood Stud

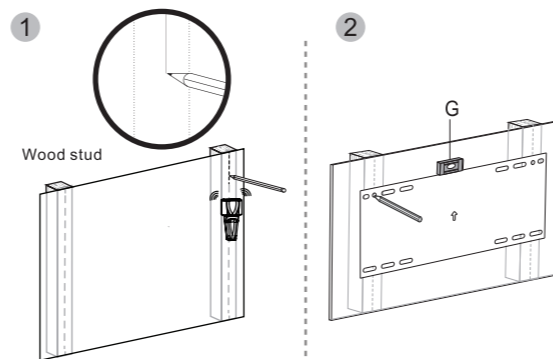
Note: For Concrete skip to Step 2B

- Use the stud finder to locate 2 studs. Then draw a vertical line marking the center of the stud.
- Level the Wall plate Template(C) And align it with the center Of the studs. Make 4 Pencil marks to indicate where to drill.

Tool Required:



5

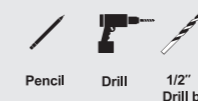


**Caution:** The minimum size of the woodstud must be 2" x 4" and the thickness of the drywall must not exceed 5/8".

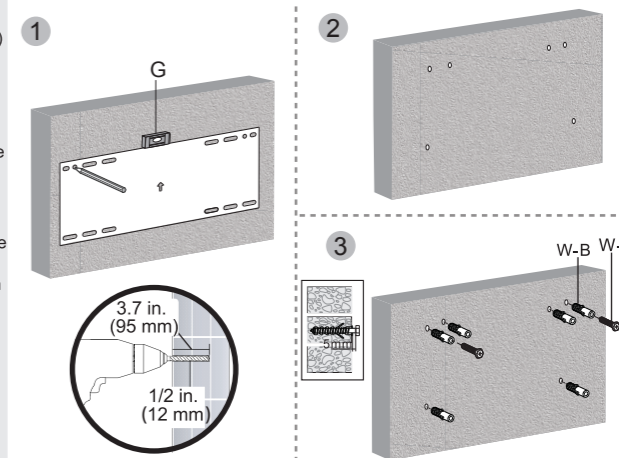
## Step 2B: Install Wall Plate on Concrete

- Level the wall plate template(C) and make 6 marks with pencil to show where to drill the pilot holes.
- Remove the Wall plate template (C) and drill the pilot holes with a 1/2" drill bit.
- Insert the anchors(W-B) into the 6 pilot holes, tap with a hammer, insert 2 bolts(W-A) on the top of pilot holes and leave 5mm length by tighten.

Tools Required:



8

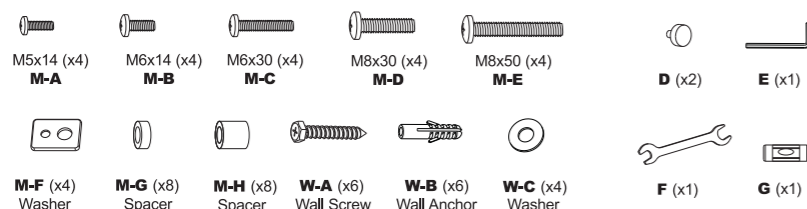
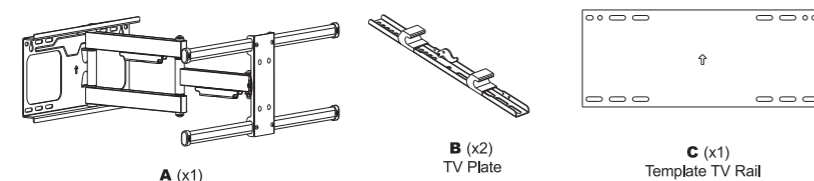


**Caution:** The minimum depth of the concrete must be 8". Do not drill pilot holes into the mortar between the concrete.

**Caution:** This product contains small items that could be a choking hazard if swallowed.

## Parts & Hardware

**Caution:** Before starting assembly, verify all parts are included and undamaged. If any parts are missing or damaged, do not return the damaged item to your dealer; contact Customer Service. Never use damaged parts or previously used parts!

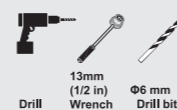


3

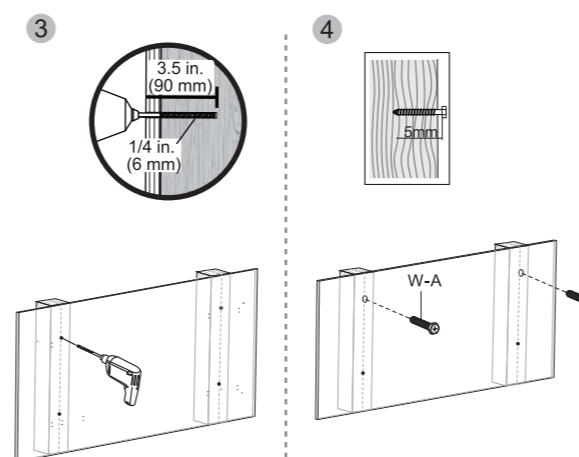
For attaching TV to Mount

- Remove the wall plate Template(C) and drill the pilot holes with a 1/4" drill bit.
- Align the pilot holes and insert 2 bolts(W-A) on the top of pilot holes and leave 5mm length by tighten.

Tools Required:



6



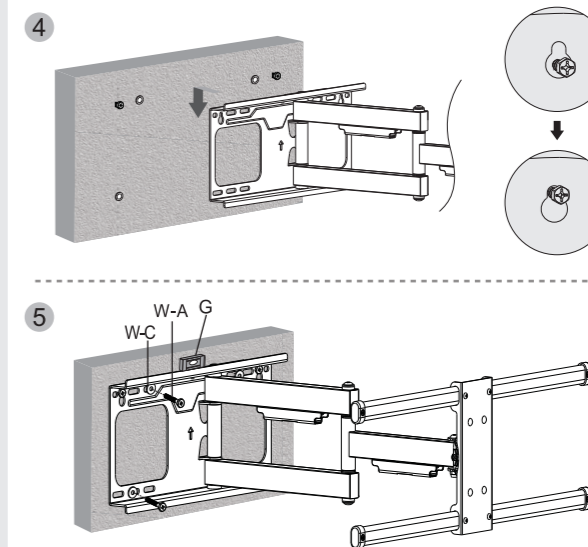
**Caution:** The minimum size of the woodstud must be 2" x 4" and the thickness of the drywall must not exceed 5/8".

- Hang the wall plate(A) on the fixed bolts and align the wall plate with the pilot holes.
- Insert the rest of the 4 bolts (W-A) through the washers (W-C) and tighten all 6 bolts (W-A).

Tools Required:



9



## Step 1: Attach Mounting Bracket to TV

- Check what screw size will fit in your TV. (M-A, M-B, M-C, M-D, M-E)

Note: If Your TV has a curved back you may need to use longer screws with spacers (M-G, M-H)

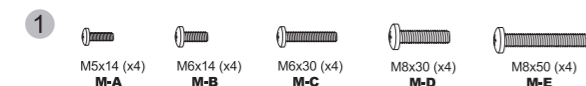
- Align the mounting bracket onto the back of the TV and install with the appropriate hardware and tighten.

Note: If the back of your TV is curved, use the appropriate Combination of spacers to level the mounting brackets.

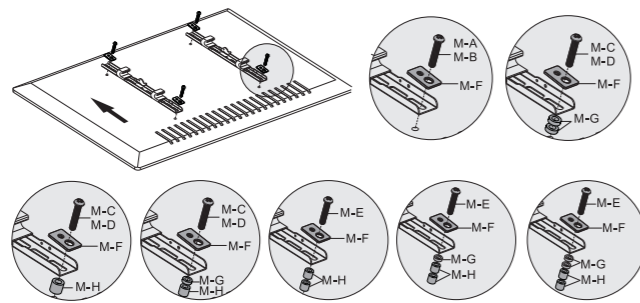
Tool Required:



4



- Caution:** Hand tighten with screwdriver only, over tightening may damage the TV!  
Do not use an electric drill for this step!

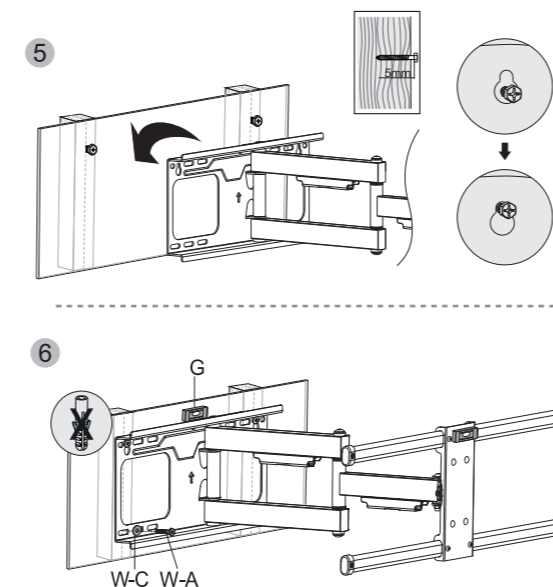


- Hang the wall plate(A) on the fixed bolts and align the wall plate with the pilot holes
- Insert the rest of the 2 bolts (W-A) through the washers (W-C) and tighten all 4 bolts (W-A).

Tools Required:

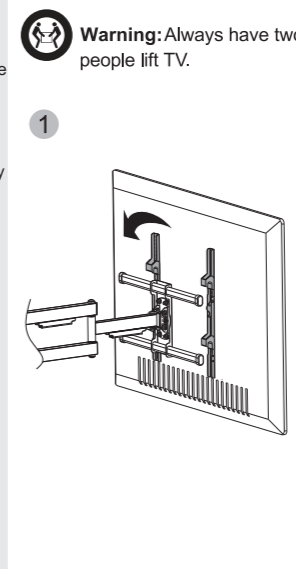


7



## Step 3: Hang Your TV

- Lift the TV and secure it with the hook on the top bracket, Always have two people lift TV.
- After the TV is hanging properly on the wall mount.
- When the TV stops, push up on the TV PLATE and alignment hole, install the two screws(D) and tighten.



**Warning:** Always have two people lift TV.

10