

Pure Clean^{*}



PUCWM33

Foldable Washing Machine

Portable and Lightweight Mini Washing Machine

User Manual

Please read this manual carefully before starting to operate the machine and keep it properly.

Safety Precautions

In order to use this product better and prevent personal injury and damage to items, please read carefully and abide by the contents of this manual.



An act or practice that must be prohibited



An act or practice that must be followed



If fail to do so may cause the loss of goods and property

ⓘ Working Scenario: Do not wash clothes that have been contaminated with gasoline, paint, corrosives, or acid-base chemicals in folding washing machines.

ⓘ Installation:

- Please use the rated voltage 110V;
- Do not place the washing machine in an excessively humid environment such as a bathroom;
- Do not install or use the washing machine in an environment with a temperature below 5°C or 41°F.

ⓘ Maintenance: Please choose the appropriate decontamination detergent. When using the decontamination detergent, please pay attention to prevent the detergent from splashing into your eyes. If it splashes into your eyes, please immediately wash with water;

Wipe the plug regularly with a dry cloth (accumulated dust or moisture etc. may cause poor contact); Please be cautious when using around children.

- Do not tilt or move the whole machine during operation, it may cause water leakage, etc.;
- Do not touch the power plug with wet hands.
- Do not pull the socket by holding the wire;
- Do not store gasoline or other flammable gases and liquids near the washing machine;

- Do not splash or irrigate the main body of the lower part of the washing machine which can cause the electrical failure of the whole machine to work.
- Please do not inject water higher than 60 degrees directly into the laundry in the washing machine, so as to prevent the product from deforming due to high temperature and causing it to be bad.
- When using, please be sure to wash and complete the current program and then power off.
- Do not power off the program without running the program directly, which will cause damage to the performance of electrical accessories;

❗ **Abnormality or Malfunction:** Please stop using it immediately, pull out the power plug, and turn off the power. Unless otherwise specified in this manual, do not repair or replace any parts of the washing machine. If the power cord is damaged, in order to avoid danger, it must be replaced by a professional from the manufacturer.

Installation Steps

- The folding washing machines must be connected properly, or it will not work well.
- Water intake and drainage condition and electrical connections must conform to the following or the standards specified in the manual.

Receiving Inspection

Please remove the packing cases, bags and other packing materials of this machine. Count all items according to the packing list. Each washing machine is tested before it goes out, so there will be a small amount of water or water marks left inside the machine.

Select Installation Position

The position should be away from heat source and avoid direct sunlight to prevent shell coating from peeling or fading. Please unroll the washing machine first, and then place it on a stable level.

Drainage

1. **Lower drainage:** Pull out the plug of outlet on the pedestal, the machine begins to drain off water naturally, and then insert the plug into the outlet after the water drains.

2. Upper drainage: In order to drain off the water fast, you can choose manual upper drainage. Shut off the electricity first and disconnect the product and the power. Grab the handle and the hole of the pedestal, lean the upper outlet downward, and then drain off the water.

Because you may not drain off the water in a short time by lower drainage, we recommend you to choose upper drainage after lower drainage. Considering the mini folding washing machine is small, so the drainage pipe diameter is small, it's normal for draining slowly, please wait patiently.

Water Inlet

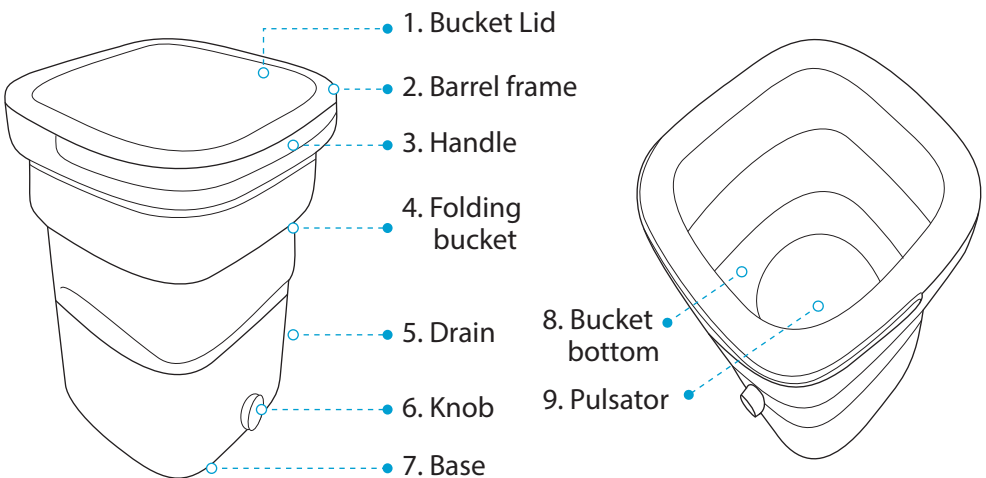
Please pour clean water into the tub of washing machine directly and the water level can not exceed the highest water level "H".

Power Line Connection

Power electric voltage and rate must be consistent with the data plate on the machine. Please follow below steps when removing washing machine connection:

1. Disconnect the power and socket
2. Drain off water in the tub
3. Wipe the washing machine and keep it clean

Learn about the folding washing machine



Detergent

Function: It can effectively reduce the adhesion between stains and clothing and enhance the washing effect.

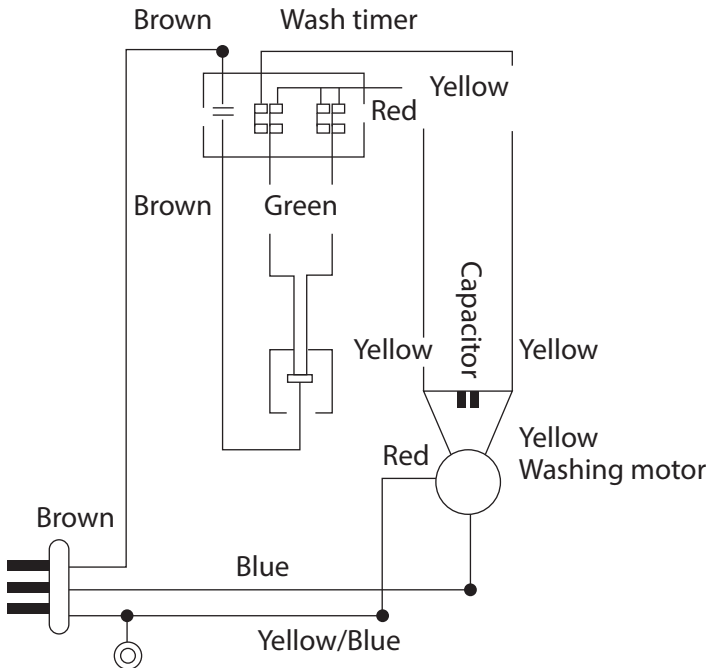
Selection of detergent: It is recommended to use low-foam or non-foam soap powder on the market.

Add detergent method: When adding detergent, please put the detergent directly into the washing tub.

Laundry

Washing Clothes: Weight less than 1.8KG, such as: underwear, socks, etc.. Since the washing machine is a single washing machine, after the washing process is completed. Take out the clothes manually to wring it out or put it in the dehydration machine for dehydration.

Electrical schematic diagram



Usage (Pretreatment and placement of clothing)

Clothing pre treatment

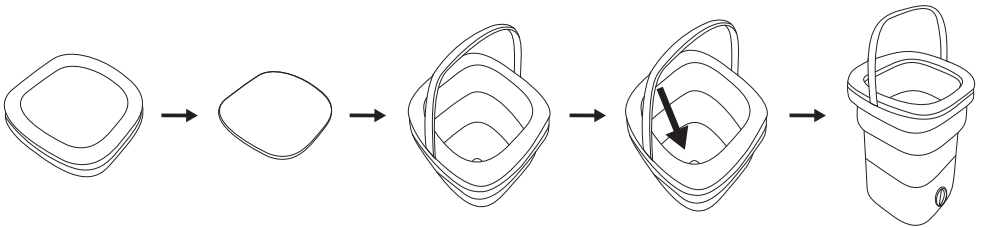
In order to avoid clogging the drain n pipe and affecting the performance of the washing machine. Please remove obvious sod, fibers, etc. inside and outside of the clothes in advance, and then put the clothes into the washing machine.

Clothing placement

In order to ensure better washing effect, please open the clothes, int the washing bucket, so as not to cause the washing effect to be unsatisfactory due to the knots of the clothes;

Unfolding

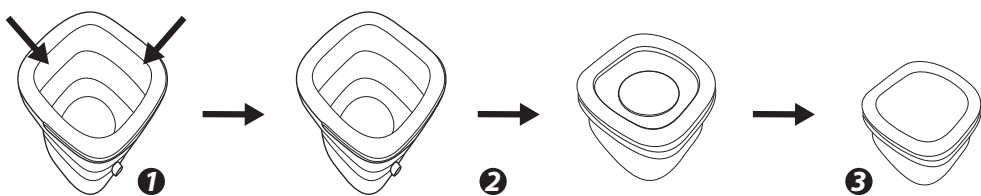
Take out the lid of the bucket first, lift the handle with one hand, and then press the bottom of the bucket with the other hand (don't press the pulsator by hand, otherwise it will be deformed)



Folded state 1, take out the lid; 2, lift the handle with one handle; 3, hold the bottom of the bucket with the other hand, and pull the handle upward; 4, complete the operation after fully expanding the folding bucket

Folding

Take out the bucket cover first, press the upper frame of the washing machine with both hands, and then apply downward force, gradually retract the folding bucket into a folded state, and then close the bucket cover.



1. Press down on the upper frame with both hands.
2. When folding bucket cannot be pressed in place in one step, press the folding edge of the folding bucket inwards by hand to ensure that the folding bucket is in place.
3. After folding the bucket in place, put the lid on it.

Usage (Adding detergent)

Clothing pretreatment

Put an appropriate amount of detergent into the washing tub according to the amount of laundry.

Attention:

- Do not use strong acid or strong alkaline detergents to avoid corrosion on of the machine;
- Use detergent's that are easily soluble in water to avoid blocking the drain pipe during washing;
- Choose low-foam or non-foaming detergents to avoid excessive foaming during washing.

Usage (Program setting)

The washing machine is set to 15 minutes as a working program. According to the amount of laundry and the degree of dirt, one or more programs can be used.

Procedure Setting

Select a work program, turn the wash timer knob to number 15, and automatically reset after completion, assuming that the cleanliness is not reached perform the second program again to wash. Turn the timer knob to 15 position and wait for automatic reset.

Attention

When using the machine, please be sure to cut off the power supply after the current procedure is completed. If the procedure is not completed, cutting off the power supply in advance will cause damage to the performance of key components of electrical appliances.

Washing machine operation

1. Put the clothes to be washed into the washing bucket, and then put in an appropriate amount of detergent
2. Pour in an appropriate amount of water (water should completely cover the clothes, and the level of the water is better to higher than clothes for about 3~5cm).
3. Put the cover plate on the tub, turn on the washer timer, switch it to "15min" position, then the machine begins to work automatically.
4. After the program is over, the timer resets automatically and the machine stops working.
5. Take out the laundry clothes.
6. Disconnect the adapter from the washing machine and socket.
7. Choose an appropriate drainage method to drain the water out of the washing machine.
8. Wipe the machine.

Cleaning and Maintenance

After Washing

When the washing process is completed, please drain the sewage in the washing machine to avoid changing the water quality for a long time.

When you need to bring it out

Please wipe the whole machine clean, and fold the washing machine according to the method of folding the washing machine, and put the cover on the top. Then put it in the bag that came with the machine, and put the matching adapter.

Note: Before cleaning the parts, please make sure that the adapter has been disconnected from the socket and the whole machine.

Troubleshooting

If you have any questions or suspect that the washing machine is malfunctioning during use, please look at the list first. The following content provides you with answers to possible malfunctions and solutions. If the problem still cannot be solved after operation, please call the after-sales service hotline.

Please do not repair or disassemble the washing machine yourself!

Trouble	Possible Reason	Solutions
There is still water after draining.	Water not drained completely.	Wipe it dry.
There is water spilling over the upper marginal part of the machine when washing.	Water level is too high	Reduce water, lower the water level and make sure water won't spill over.
The machine stops working.	Power cut. Poor contact between power line and socket or got loose. Did not switch the timer.	Check if there is power cut. Check the socket carefully. Switch the timer to proper working time.
The clothes did not spin.	Clothes are too heavy. Voltage is too low.	Reduce clothes amount. Use it when voltage is normal.

Features:

- With Semi-Automatic Cleaning Function
- High-Frequency Vibration
- Energy-Saving and Environmental Protection
- Foldable and Portable Bucket Type
- Convenient to Use and to Store
- Easy to Use
- Saving Water and Electricity
- Perfect for Use in Camping, Apartments, Dorms and Business Trip

What's in the Box:

- Foldable Washing Machine

Technical Specs:

- Construction Material: Engineered ABS, TPE & TPR
- Wash Capacity: 4.41 lbs. (2 Kg)
- Rated Wash Power: 180W
- Frequency Response: 60Hz
- Voltage: 110V
- Waterproof: IPX4
- S/N Ratio: 60dB
- Timer: 0~15 mins
- Motor: Aluminum Motor
- Motor Speed : 1320 Revolutions/Min
- Unfolded Dimension: 11.64" x 11.64" x 12.46." -inches
- Folded Dimension: 11.64" x 11.64" x 6.4" -inches



Pure Clean

Questions? Issues?

We are here to help!

Phone: (1) 718-535-1800

Email: support@pyleusa.com