

IMPORTANT:
Read Before Using

IMPORTANT :
Lire avant usage

IMPORTANTE:
Leer antes de usar



Operating/Safety Instructions
Consignes de sécurité/d'utilisation
Instrucciones de funcionamiento y seguridad

**VersaTip
2000**



DREMEL®

P.O. Box 081126 Racine, WI 53408-1126

Call Toll Free for
Consumer Information
& Service Locations

Pour obtenir des informations
et les adresses de nos centres
de service après-vente,
appelez ce numéro gratuit

Llame gratis para
obtener información
para el consumidor y
ubicaciones de servicio

1-800-4-DREMEL (1-800-437-3635) www.dremel.com

For English Version
See page 2

Version française
Voir page 11

Versión en español
Ver la página 20

Safety Warnings

READ ALL INSTRUCTIONS SAVE ALL WARNINGS AND INSTRUCTIONS FOR FUTURE REFERENCE

⚠ DANGER Read all instructions in this manual and familiarize yourself with the torch before lighting and using it. Failure to comply with the warnings and instructions may result in fire or an explosion that may result in property damage, serious personal injury or death.

Tank contains extremely flammable gas under pressure.

Keep torch out of reach of children and anyone who has not read these Operating/Safety Instructions.

Do not point the torch flame or torch exhaust port towards your face, other persons, or flammable items.

Take precautions not to heat the fuel tank.

Do not expose the torch or fuel to temperatures exceeding 120°F/49°C or prolonged sunlight.

Never use the torch in or around flammable fumes, liquids, or explosive materials.

Never leave the torch unattended when lit. Make sure the torch is completely extinguished after use.

Never pierce the fuel tank or expose torch to external flame.

Never attempt to repair or heat any containers that held flammable liquid, gas, or any chemical. Heating these containers can result in fire or explosion.

Never use the torch near combustibles (fuels, rags, towels, paper products, etc.). Be careful around motor vehicles or any gasoline-fired products and beware of hidden fuel lines and tanks.

Be sure the torch is not pointed toward objects that may ignite when the torch is set down.

Do not breathe gas, fumes, vapor, or spray. If inhaled, remove affected person to fresh air. Always use torch in a well-ventilated area.

Wear a respirator when working on applications where toxic or nauseating vapors may exist. Avoid the fumes from fluxes, lead-based paint, and all metal heating operations. Fumes from cadmium plating and galvanized metal may be present.

Avoid fuel contact with eyes or skin. In case of contact with eyes, rinse immediately with plenty of water and seek medical advice. For skin contact, flush with large amounts of water.

Always protect torch from impact, or dropping onto floor or hard surfaces. Never use the torch if damage is suspected.

Do not modify torch or alter factory settings in any way.

Always use manufacturer recommended replacement parts.

Read refueling instruction before refueling torch.

Do not smoke while filling, refilling, or operating the torch.

⚠ WARNING Before using, check all parts for proper function and damage to component parts.

Do not use this torch to heat, mold, or bend plastic sheets, molding or tubing.

Hidden areas such as behind walls, ceilings, floors, soffit boards and other panels may contain flammable materials that could be ignited by the heat gun when working in these locations. The ignition of these materials may not be readily apparent and could result in property damage and injury to persons.

When working in these locations, keep the torch moving in a back-and-forth motion. Lingering or pausing in one spot could ignite the panel or the material behind it.

Extreme care should be taken when stripping paint. The peelings, residue and vapors of paint may contain lead, which is poisonous. Any pre-1977 paint may contain lead and paint applied to homes prior to 1950 is likely to contain lead. Once deposited on surfaces, hand to mouth contact can result in the ingestion of lead. Exposure to even low levels of lead can cause irreversible brain and nervous system damage; young and unborn children are particularly vulnerable. Before beginning any paint removal process you should determine whether the paint you are removing contains lead. This can be done by your local health department or by a professional who uses a paint analyzer to check the lead content of the paint to be removed. **LEAD-BASED PAINT SHOULD ONLY BE REMOVED BY A PROFESSIONAL AND SHOULD NOT BE REMOVED USING A TORCH.**

Persons removing paint should follow these guidelines:

- 1) Move the work piece outdoors. If this is not possible, keep the work area well ventilated. Open the windows and put an exhaust fan in one of them. Be sure the fan is moving the air from inside to outside.
- 2) Remove or cover any carpets, rugs, furniture, clothing, cooking utensils and air ducts.
- 3) Place drop cloths in the work area to catch any paint chips or peelings. Wear protective clothing such as extra work shirts, overalls and hats.

- 4) Work in one room at a time. Furnishings should be removed or placed in the center of the room and covered. Work areas should be sealed off from the rest of the dwelling by sealing doorways with drop cloths.
 - 5) Children, pregnant or potentially pregnant women and nursing mothers should not be present in the work area until the work is done and all clean up is complete.
 - 6) Wear a dust respirator mask or a dual filter (dust and fume) respirator mask which has been approved by the Occupational Safety and Health Administration (OSHA), the National Institute of Safety and Health (NIOSH), or the United States Bureau of Mines. These masks and replaceable filters are readily available at major hardware stores. Be sure the mask fits. Beards and facial hair may keep masks from sealing properly. Change filters often. **DISPOSABLE PAPER MASKS ARE NOT ADEQUATE.**
 - 7) Use caution when operating the torch. Keep the torch moving, as excessive heat will generate fumes, which can be inhaled by the operator.
 - 8) Keep food and drink out of the work area. Wash hands, arms and face and rinse mouth before eating or drinking. Do not smoke or chew gum or tobacco in the work area.
 - 9) Clean up all removed paint and dust by wet mopping the floors. Use a wet cloth to clean all walls, sills and any other surface where paint or dust is clinging. **DO NOT SWEEP, DRY DUST OR VACUUM.** Use a high phosphate detergent or trisodium phosphate (TSP) to wash and mop areas.
 - 10) At the end of each work session put the paint chips and debris in a double plastic bag, close it with tape or twist ties and dispose of properly.
 - 11) Remove protective clothing and work shoes in the work area to avoid carrying dust into the rest of the dwelling. Wash work clothes separately. Wipe shoes off with a wet rag that is then washed with the work clothes. Wash hair and body thoroughly with soap and water.
- Never attempt to use torch as a cigarette, cigar, or pipe lighter.**

Always wear eye protection when lighting and using the torch.

Keep your hair, and clothing away from the flame. Loose clothes or long hair can catch fire. Hot solder may cause burns.

Use only liquid butane fuel when filling or refilling torch.

Before each use and after refilling, inspect for leaks. Never use a flame to check for leaks. If leak is suspected use soapy water solution and look for continuous bubbling.

Ignite torch away from face, hands, clothing, or other flammable material.

Discontinue gas flow if torch is extinguished accidentally.

Always check to make sure that unintended parts or materials are not being heated. Heat may be conducted to near objects or substances that may ignite or become pressurized when heated.

Use OSHA specified coating removal methods when preparing plated metal work pieces for heating.

Always make sure the torch is resting securely on its stand when handling work with both hands.

Do not touch the torch flame guard, flame diffuser, tips and attachments until they have cooled. Torch flame guard, flame diffuser, tips and attachments become extremely hot during use and remain hot after extinguishing.

Use caution when operating the torch outdoors. Bright sun makes it difficult to see flame of the torch. Wind may carry heat and/or sparks towards you, areas not intended to be heated, or combustible materials.

Allow the torch to completely cool before refilling fuel, changing accessories, cleaning, or storing.

Store torch in well ventilated areas.

Use only Dremel accessories to ensure proper operation of Dremel VersaTip.

Do not pack this item or any other flammable gas item in any checked or carry-on baggage. Department of Transportation Hazardous Materials Regulations forbids the carriage of butane or other flammable gas products on passenger aircraft.

SAVE THESE INSTRUCTIONS

Dremel VersaTip 2000 meets or exceeds the CPSC Safety Standard for Multi Purpose Lighters at 16 C.F.R. § 1212.17(b) and Federal Hazardous Substance Act (FHSA).

Functional Description

Dremel® VersaTip

FIG. 1

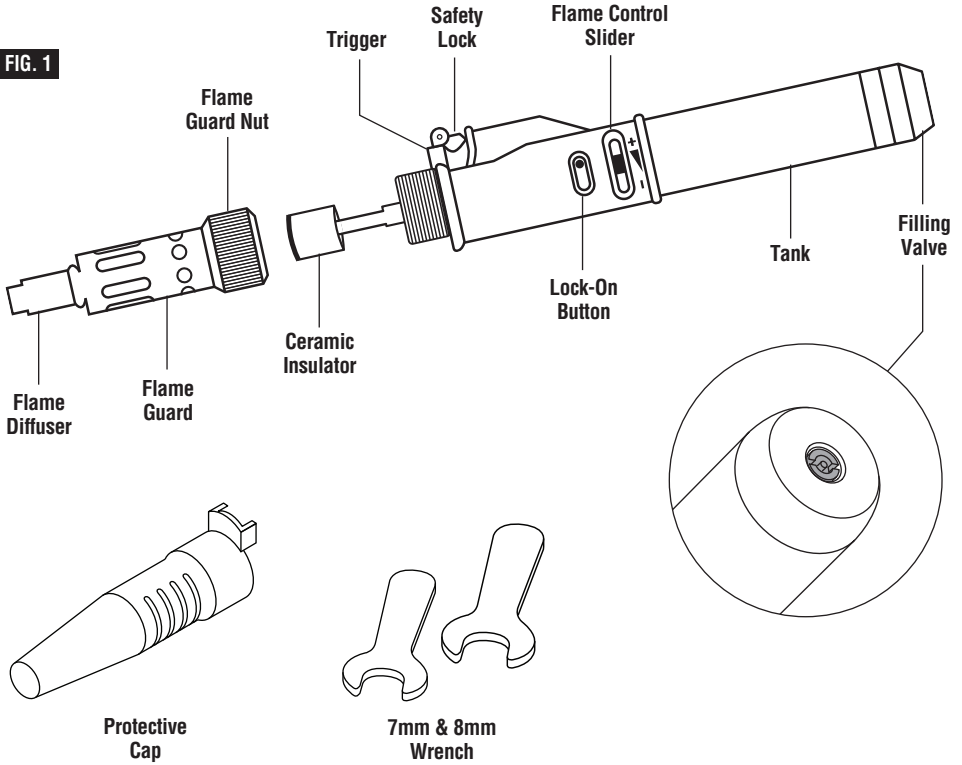
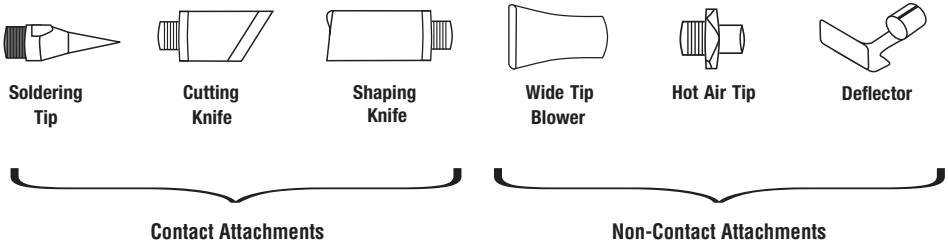


FIG. 2



Operating Instructions

⚠ WARNING Observe all provided warnings and safety instructions when using the torch.

In cold weather size of flame will be smaller. To produce larger flame, pre-warm torch to room temperature prior to use.

Ensure all accessories are securely tightened before igniting the torch.

Familiarize yourself with the construction of the Dremel VersaTip components (Figure 1), and its accessories (Figure 2) before use.

Filling / Refilling Operation

Filling / refilling of the fuel tank must be done in a well-ventilated place far away from any possible sources of ignition. Be sure to observe the safety instructions and warning notices provided by the manufacturer of the liquid butane fuel. Make sure the gas you are using is a refined butane gas that can also be used for lighters.

1. Hold the VersaTip with the Filling Valve facing up, then invert fuel container and insert the tip into the Filling Valve as shown in Figure 3.
2. Push the fuel container and VersaTip together to allow fuel to flow into the torch fuel tank. The VersaTip fuel tank should be filled in about 10 seconds.
3. Stop refilling once the fuel begins to escape at the Filling Valve.
4. Wait at least 3 minutes to allow fuel gas to stabilize before igniting the VersaTip.

Installing or Changing Tips

Use of the Soldering Tip, Cutting Knife, Shaping Knife, Hot Air Tip, Wide Tip Blower, and Deflector requires the Flame Diffuser to be installed.

To install the Flame Diffuser: Unscrew the Flame Guard nut and remove the Flame Guard. Slide the Flame Diffuser into the Flame Guard by inserting the narrow end of the Flame Diffuser into the Flame Guard first. Figure 4 shows correct assembly of the Flame Diffuser. Place the Flame Guard with Flame Diffuser back on to the tool and securely tighten the Flame Guard nut.

To install threaded attachment tips: Thread the desired tip into the Flame Diffuser and tighten using the 7mm wrench while

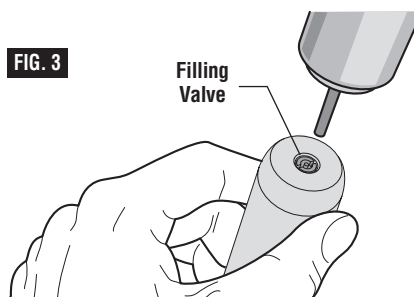


FIG. 3

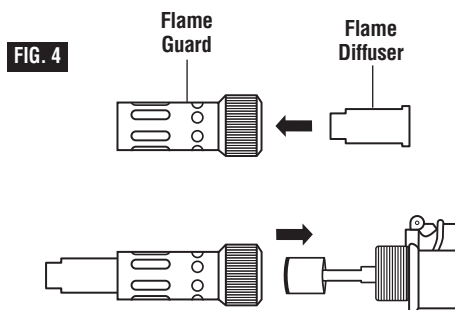


FIG. 4

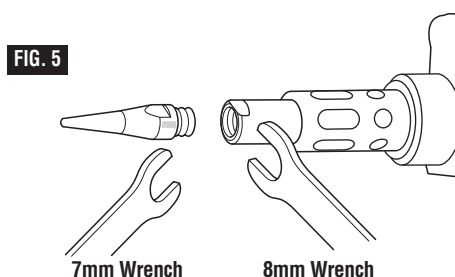


FIG. 5

using the 8mm wrench to hold the Flame Diffuser in place, Figure 5. To remove follow the installation steps in reverse order.

To install the Wide Tip Blower: Slide the Wide Tip Blower over the Flame Diffuser and Flame Guard until the Wide Tip Blower is firmly secured to the Flame Guard. Make sure there is no tip installed in the Flame Diffuser before installing the Wide Tip Blower. To remove, slide the Wide Tip Blower off the Flame Guard and Flame Diffuser.

To install the Deflector: Slide the Deflector over the end of the Flame Diffuser until the Deflector is firmly secured to the Flame Diffuser. To remove, slide the Deflector off the Flame Diffuser.

Lighting and Operation of the Dremel VersaTip

The Dremel VersaTip igniter is equipped with a safety mechanism intended to protect against unintended ignition.

To ignite the VersaTip:

- Turn the Flame Control Slider to the minimum position,
- Grasp the torch body placing your thumb on the safety lock,
- Using your thumb, rotate the Safety Lock forward (Figure 6) and pull back the Trigger (Figure 7),
- Observe the Flame Guard to see if glow of the flame is visible. Also, listen for a sound of flame.

If there is no flame glow and the sound is of the escaping gas, then release the Trigger and repeat steps c and d. If ignition occurs, continue to step e.

- Once the torch is ignited, you can hold on to the Trigger to maintain the flame, or slide the Lock-On Button to the lock position for continuous operation (Figure 8).

To turn off the Dremel VersaTip, let go of the Trigger, and move the Lock-On Button to the right if it was engaged during use. This will immediately stop the flow of butane gas and extinguish the torch flame.

Flame Length and Temperature Adjustment

Adjustment of the flame length / temperature can be made by adjusting the Flame Control Slider. To increase flame length and temperature, move the Flame Control Slider to the right (+). To decrease flame length and temperature, move the Flame Control Slider to the left (-).

When using with any of the contact attachments (Figure 2) allow 25 seconds for tips to reach full temperature. When using non-contact attachments (figure 2) the full temperature is available immediately after ignition.

FIG. 6

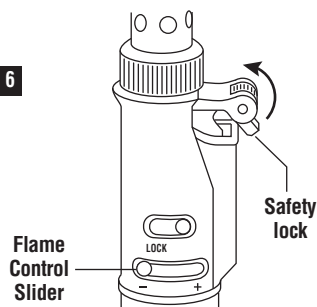


FIG. 7

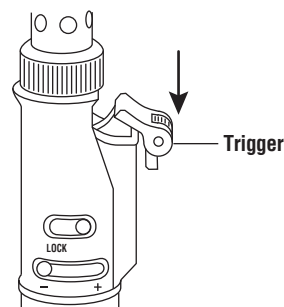
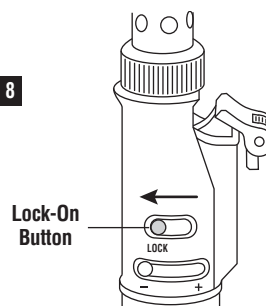


FIG. 8



Applications



Using with an Open Flame

When configured for open flame, the VersaTip can be used for tasks such as culinary caramelizing, brazing, copper pipe sweating, and freeing of seized nuts and bolts.

To use the Dremel VersaTip with an open flame, unscrew the flame guard, remove the flame diffuser and tip (if attached), screw the flame guard back onto the tool, and securely tighten the flame guard nut.

Using with Soldering Tip

The soldering tip (to be used with the flame diffuser) can be used for regular soldering activities, including joining wire and component installation on printed circuit boards.

Using with Hot Air Tip

The Hot Air Tip (to be used with the flame diffuser): can be used for heating of heat-sensitive materials.

The hot air tip generates air temperature of 1256°F (680 °C)

Using with Cutting Knife

The Cutting Knife (to be used with the flame diffuser) can be used for cutting of nylon rope to prevent 'feathering'.

Using with Shaping Knife

The Shaping Knife (to be used with the flame diffuser) can be used for cutting to size of sheets of plastic and other heat sensitive materials.

Using Wide Tip Blower

The Blower can be used for preparing surface areas for detailed paint and coating removal.

Use with Deflector

The Deflector (to be used with the flame diffuser) is for shrinking of heat sensitive insulation around electrical wiring.

Follow instructions provided with materials being used and worked on.

Maintenance & Storage

Maintenance

Clean the exterior of the tool with a clean dry cloth. If necessary, use a damp cloth.

When soldering, to clean the Soldering Tip, wipe the tip on a wet sponge while it is still hot and solder is molten.

Never clean the Soldering Tip with sandpaper as this reduces its lifetime.

The torch gas nozzle can get clogged due to butane gas impurities. To return the torch to full operating condition the nozzle needs to be replaced. Contact Dremel customer service to order the replacement nozzle and instructions.

Storage

Ensure that the Lock-On Button is in the unlocked position and Trigger is locked out with the Safety Lock.

Allow several minutes for torch to cool.

When torch is cool, store torch out of reach of children.

Dremel® Limited Warranty

Your Dremel product is warranted against defective material or workmanship for a period of two years from date of purchase. In the event of a failure of a product to conform to this written warranty, please take the following action:

1. DO NOT return your product to the place of purchase.
2. Carefully package the product by itself, with no other items, and return it, freight prepaid, along with:
 - A. A copy of your dated proof of purchase (please keep a copy for yourself).
 - B. A written statement about the nature of the problem.
 - C. Your name, address and phone number to:

UNITED STATES
Dremel Service Center
4915 21st Street
Racine, WI 53406

OR

CANADA
 Giles Tool Agency
 47 Granger Av.
 Canada M1K 3K9 1-416-287-3000

OUTSIDE CONTINENTAL UNITED STATES CONTINENTAL UNITED STATES

See your local distributor or write to Dremel, 4915 21st Street Racine, WI 53406

We recommend that the package be insured against loss or in transit damage for which we cannot be responsible.

This warranty applies only to the original registered purchaser. DAMAGE TO THE PRODUCT RESULTING FROM TAMPERING, ACCIDENT, ABUSE, NEGLIGENCE, UNAUTHORIZED REPAIRS OR ALTERATIONS, UNAPPROVED ATTACHMENTS OR OTHER CAUSES UNRELATED TO PROBLEMS WITH MATERIAL OR WORKMANSHIP ARE NOT COVERED BY THIS WARRANTY.

No employee, agent, dealer or other person is authorized to give any warranties on behalf of Dremel. If Dremel inspection shows that the problem was caused by problems with material or workmanship within the limitations of the warranty, Dremel will repair or replace the product free of charge and return product prepaid. Repairs made necessary by normal wear or abuse, or repair for product outside the warranty period, if they can be made, will be charged at regular factory prices.

DREMEL MAKES NO OTHER WARRANTY OF ANY KIND WHATEVER, EXPRESSED OR IMPLIED, AND ALL IMPLIED WARRANTIES OF MERCHANTABILITY AND FITNESS FOR A PARTICULAR PURPOSE WHICH EXCEED THE ABOVE MENTIONED OBLIGATION ARE HEREBY DISCLAIMED BY DREMEL AND EXCLUDED FROM THIS LIMITED WARRANTY.

This warranty gives you specific legal rights and you may also have other rights which vary from state to state. The obligation of the warrantor is solely to repair or replace the product. The warrantor is not liable for any incidental or consequential damages due to any such alleged defect. Some states do not allow the exclusion or limitation of incidental or consequential damages, so the above limitations or exclusion may not apply to you.

For prices and warranty fulfillment in the continental United States, contact your local Dremel distributor.

Imported for Dremel® in the U.S. by:
 Robert Bosch Tool Corporation
 1800 West Central Road
 Mount Prospect, Illinois 60056

Avertissements relatifs à la sécurité

LIRE TOUTES LES INSTRUCTIONS. CONSERVER TOUS LES AVERTISSEMENTS ET TOUTES LES INSTRUCTIONS EN VUE DE RÉUTILISATION ULTÉRIEURE.

⚠ DANGER Lisez toutes les instructions de ce mode d'emploi et familiarisez-vous avec le chalumeau avant de l'allumer et de l'utiliser. Le non-respect des avertissements et des instructions risquerait de causer un incendie ou une explosion pouvant entraîner des dommages aux biens ou des blessures graves, voire la mort.

Le réservoir contient du gaz sous pression extrêmement inflammable.

Maintenez le chalumeau hors de la portée des enfants et de toutes personnes n'ayant pas lu ces instructions d'utilisation/consignes de sécurité.

Ne pointez pas la flamme du chalumeau ou l'orifice d'échappement du chalumeau en direction de votre visage, d'autres personnes ou de matériaux inflammables.

Prenez les précautions nécessaires pour ne pas chauffer le réservoir à combustible.

N'exposez pas le chalumeau ou le combustible à des températures de plus de 120 °F/49 °C ou à lumière du soleil pendant une période prolongée.

N'utilisez jamais le chalumeau sur ou à proximité de fumées ou liquides inflammables, ou de matériaux explosifs.

Ne laissez jamais le chalumeau sans surveillance quand il est allumé. Veillez à ce qu'il soit complètement éteint après vous en être servi.

Ne percez jamais le réservoir à combustible et ne l'exposez pas au chalumeau ou à une flamme extérieure.

Ne tentez jamais de réparer ou de chauffer de quelconques récipients ayant contenu des liquides, gaz ou produits chimiques inflammables. Chauffer ces récipients risquerait de causer un incendie ou une explosion.

N'utilisez jamais le chalumeau à proximité de substances combustibles (carburants, chiffons, serviettes, articles en papier, etc.). Prenez des précautions particulières quand vous l'utilisez à proximité de véhicules à moteur ou d'appareils à combustion consommant de l'essence, et faites attention aux conduites et réservoirs de carburant ou de combustible cachés.

Veillez à ce que le chalumeau ne soit pas orienté vers des objets qui risqueraient de prendre feu quand le chalumeau est déposé.

N'inspirez pas de gaz, de fumées, de vapeurs ou de substances pulvérisées. En cas d'inhalation, faites sortir la personne affectée à l'air frais. Utilisez seulement le chalumeau dans un endroit bien ventilé.

Portez un appareil respiratoire lorsque vous travaillez dans le cadre d'applications caractérisées par la présence possible de vapeurs toxiques ou pouvant causer de la nausée. Évitez les fumées des flux, de la peinture au plomb et de toutes les opérations de chauffage avec du métal. Il existe un risque d'émanations provenant de métaux galvanisés ou de placages au cadmium.

Évitez tout contact avec les yeux ou la peau. En cas de contact avec les yeux, rincez immédiatement avec beaucoup d'eau et consultez un médecin. En cas de contact avec la peau, lavez avec de grands volumes d'eau.

Protégez toujours le chalumeau contre les chocs, et ne le laissez pas tomber sur le sol ou sur d'autres surfaces dures. N'utilisez jamais le chalumeau si vous pensez qu'il peut être endommagé.

Ne modifiez pas le chalumeau et n'altérez en aucune façon les paramètres de réglage fixés à l'usine.

Utilisez toujours des pièces de rechange recommandées par le fabricant.

Lisez les instructions sur la recharge de combustible avant de remplir à nouveau le chalumeau avec du combustible.

Ne fumez pas pendant que vous utilisez le chalumeau ou pendant que vous le remplissez à nouveau de combustible.

AVERTISSEMENT Avant toute utilisation, vérifiez que tous les éléments fonctionnent correctement et qu'ils ne sont pas endommagés.

N'utilisez pas ce chalumeau pour chauffer, mouler ou reformer des feuilles de plastique, des moulures ou des tubes.

Il faut faire très attention en décapant de la peinture. Les écailles, résidus et vapeurs de peinture peuvent contenir du plomb, qui est un poison. Toute peinture antérieure à 1977 risque de contenir du plomb, et la peinture appliquée sur des murs de logements avant 1950 contient probablement du plomb. Si vous avez du plomb déposé sur vos mains, tout contact entre la main et la bouche peut causer l'ingestion de plomb. Une exposition à même de faibles quantités de plomb peut causer des lésions irréversibles au cerveau et au système nerveux; les petits enfants et les fœtus sont particulièrement vulnérables. Avant de commencer toute opération de décapage de peinture, vous devez déterminer si la peinture que vous décapez contient du plomb. Ceci peut être effectué par les services municipaux de santé publique ou par un professionnel utilisant un analyseur de peinture afin de déterminer la teneur en plomb de la peinture à décapier. LA PEINTURE AU PLOMB NE DOIT ÊTRE DÉCAPÉE QUE PAR UN PROFESSIONNEL ET NE DOIT PAS ÊTRE DÉCAPÉE EN UTILISANT UN CHALUMEAU.

Les personnes décapant de la peinture doivent suivre les instructions ci-après :

- 1) Transportez l'objet à décapier à l'extérieur. Si cela n'est pas possible, maintenez la zone de travail bien ventilée. Ouvrez les fenêtres et placez un ventilateur d'extraction dans l'une des fenêtres. Assurez-vous que le ventilateur fait bien passer l'air de l'intérieur vers l'extérieur.
- 2) Retirez ou couvrez les tapis, la moquette, les meubles, les vêtements, les ustensiles de cuisine et les orifices d'admission d'air.
- 3) Placez des toiles de protection dans la zone de travail pour recueillir tous les éclats ou écailles de peinture. Portez des vêtements de protection tels qu'une chemise de travail, une combinaison de travail et un chapeau.
- 4) Travaillez à raison d'une pièce à la fois. Il faut retirer les meubles ou les placer au milieu de la pièce et les recouvrir. Les zones de travail doivent être isolées du reste du logement en plaçant des toiles de protection sur les entrées de porte.
- 5) Il ne faut pas que des enfants, des femmes enceintes ou pouvant être enceintes, ou des mères qui allaitent soient présents dans la zone de travail jusqu'à ce que le travail soit terminé et le nettoyage des lieux ait été effectué.
- 6) Portez un masque respiratoire protégeant contre la poussière ou un filtre double (protégeant contre la poussière et les fumées) agréé par l'Occupational

Safety and Health Administration (OSHA), le National Institute of Safety and Health (NIOSH), l'United States Bureau of Mines ou les autorités canadiennes correspondantes. Ces masques et des filtres remplaçables sont en vente dans toutes les grandes quincailleries. Assurez-vous que la taille du masque est appropriée. La barbe ou la moustache peut affecter les propriétés de protection isolant du masque. Changez souvent le filtre. DES MASQUES EN PAPIER JETABLES APRÈS USAGE NE SONT PAS ADÉQUATS.

7) Prenez des précautions en utilisant le chalumeau. Déplacez continuellement le chalumeau étant donné qu'une chaleur excessive produira des émanations pouvant être inhalées par son opérateur.

8) Ne laissez pas d'aliments ou de boissons dans la zone de travail. Lavez-vous les mains, lavez vos bras et votre visage, et rincez-vous la bouche avant de manger ou de boire. Ne fumez pas et ne mâchez pas de gomme ou de tabac dans la zone de travail.

9) Nettoyez tous les résidus de peinture décapée et toute la poussière en faisant passer une vadrouille mouillée sur le sol et sur tous les murs, rebords de fenêtre et autres surfaces sur lesquels des éclats de peinture ou de la poussière pourraient se trouver. NE BALAYEZ PAS, NE NETTOYEZ PAS À SEC ET NE PASSEZ PAS L'ASPIRATEUR. Utilisez un détergent à forte teneur en phosphate ordinaire ou phosphate trisodique pour laver ou nettoyer les endroits contaminés.

10) À la fin de chaque séance de travail, jetez les éclats et débris de peinture dans un sac en plastique à double paroi, fermez-le sac avec un ruban adhésif ou une ligature et mettez au rebut conformément aux règlements applicables.

11) Retirez vos vêtements de protection et vos chaussures de travail dans la zone de travail pour ne pas risquer de transporter de poussière dans le reste du logement. Lavez les vêtements de travail séparément. Essuyez vos chaussures avec un tissu humide qu'il faudra ensuite laver avec les vêtements de travail. Lavez-vous soigneusement les cheveux et le corps avec de l'eau et du savon.

Ne tentez jamais de vous servir du chalumeau pour allumer une cigarette, un cigare ou une pipe.

Protégez-vous toujours les yeux lorsque vous allumez et utilisez le chalumeau.

Veillez à ce que vos cheveux et vos vêtements soient toujours à bonne distance de la flamme. Des vêtements amples ou des cheveux longs risquent de s'enflammer. Des cendres encore chaudes risquent de causer des brûlures.

N'utilisez que du butane liquide comme combustible pour remplir le réservoir du chalumeau.

Avant chaque emploi et après avoir rempli à nouveau le réservoir, inspectez le chalumeau pour vous assurer qu'il n'y a pas de fuites. N'utilisez jamais une flamme pour chercher des fuites. Si vous soupçonnez une fuite, utilisez une solution à base d'eau savonneuse et regardez s'il y a des bulles qui apparaissent de façon continue.

Allumez le chalumeau en l'orientant dans le sens opposé à celui de votre visage, de vos mains, de vos vêtements ou de tout autre matériau inflammable.

Coupez l'alimentation en combustible si le chalumeau s'éteint accidentellement.

Vérifiez toujours pour vous assurer que des pièces ou matériaux ne devant pas être chauffés ne sont pas exposés à la chaleur. De la chaleur peut être transférée à des objets ou des substances proches qui risqueraient alors de prendre feu ou d'être mis sous pression en étant chauffés.

Utilisez des méthodes de décapage agréées par l'OSHA lorsque vous préparez des objets en métal plaqué pour les chauffer.

Veillez toujours à ce que le chalumeau repose sur son support lorsque vous utilisez les deux mains pour tenir un ouvrage.

Ne touchez pas le dispositif de protection contre la flamme du chalumeau, son diffuseur de flamme, ses embouts et ses accessoires avant qu'ils n'aient refroidi. Le dispositif de protection contre la flamme du chalumeau, son diffuseur de flamme, ses embouts et ses accessoires deviennent extrêmement chauds pendant l'emploi, et ils restent très chauds pendant un certain temps après que le chalumeau a été éteint.

Prenez des précautions lorsque vous utilisez le chalumeau à l'extérieur. La lumière vive du soleil rend la flamme du chalumeau moins visible. Le vent peut dévier la chaleur et/ou des étincelles vers vous, vers des endroits qu'il n'était pas prévu de soumettre à une chaleur intense ou vers des matériaux combustibles.

Laissez le chalumeau refroidir totalement avant de refaire le plein de combustible, de changer des accessoires, de le nettoyer ou de le ranger.

Rangez le chalumeau dans un endroit bien ventilé.

Utilisez seulement des accessoires Dremel pour assurer le fonctionnement correct de l'outil Dremel Versatip.

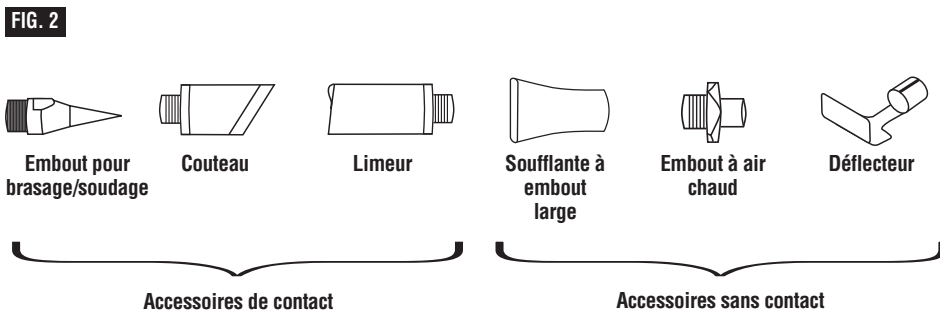
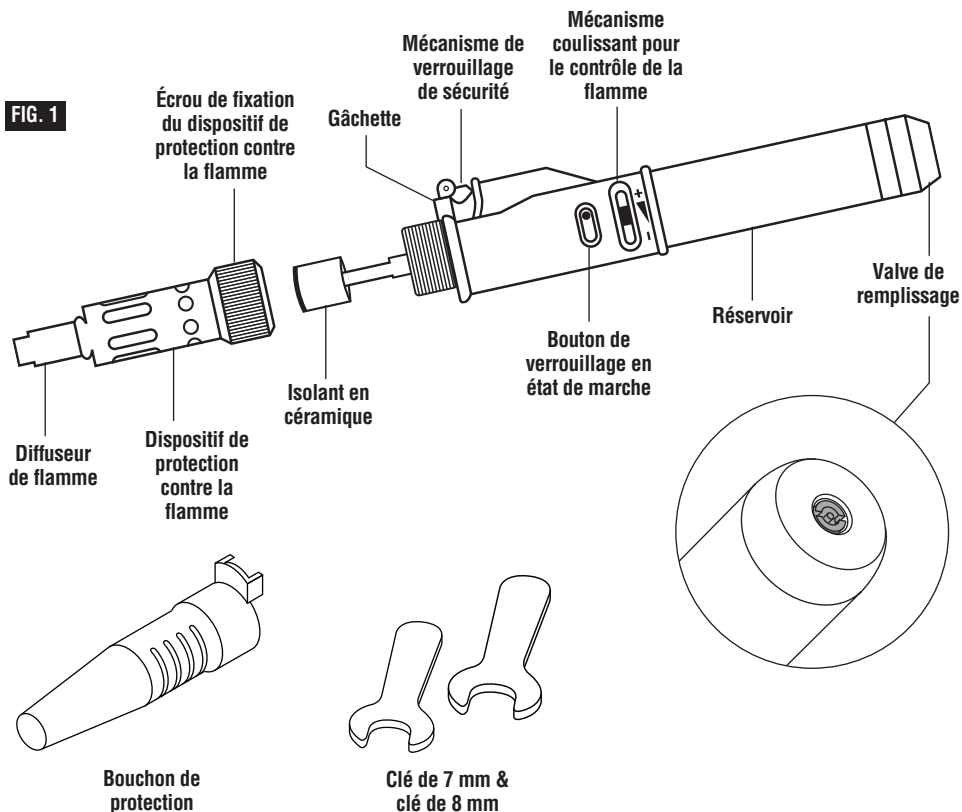
Ne placez pas cet article ou tout autre objet contenant un combustible inflammable dans un bagage enregistré ou à main lorsque vous prenez l'avion. Les règlements du Ministère des Transports concernant les matériaux dangereux interdisent le transport de gaz butane ou d'autres produits contenant un combustible inflammable à bord d'un avion de transport de passagers.

CONSERVEZ CES INSTRUCTIONS

L'outil Dremel VersaTip 2000 respecte ou dépasse la norme de sécurité de la Consumer Product Safety Commission des États-Unis pour les brûleurs universels (16 C.F.R. § 1212.17(b)) et de la loi Federal Hazardous Substance Act (FHSA) des États-Unis.

Description fonctionnelle

Dremel® VersaTip



Instructions pour l'utilisation

⚠ AVERTISSEMENT Observez tous les avertissements et toutes les instructions de sécurité applicables lorsque vous utilisez le chalumeau.

La flamme aura une taille plus petite par temps froid. Pour produire une flamme plus grande, chauffez le chalumeau à la température ambiante avant de vous en servir.

Assurez-vous que tous les accessoires sont bien serrés avant d'allumer le chalumeau.

Familiarisez-vous avec la construction des composants de l'outil Dremel VersaTip (Figure 1) et de ses accessoires (Figure 2) avant l'emploi.

Remplissage / Recharge

Le remplissage / la recharge du réservoir à combustible doit être effectué dans un endroit bien ventilé, à une distance suffisante de toutes les sources d'inflammation possibles. Veillez à respecter scrupuleusement les avertissements et les instructions de sécurité fournies par le fabricant du combustible butane liquide. Assurez-vous que le combustible que vous utilisez est un combustible butane raffiné qui peut également être utilisé pour les briquets.

1. Tenez l'outil VersaTip de telle façon que la valve de remplissage soit orientée vers le haut, puis inversez le récipient contenant le combustible et insérez l'embout dans la valve de remplissage comme illustré à la Figure 3.
2. Appuyez à la fois sur le récipient contenant le combustible et sur l'outil VersaTip pour permettre au combustible de couler dans le réservoir de carburant du chalumeau. Le réservoir de carburant de l'outil VersaTip devrait se remplir en une dizaine de secondes.
3. Cessez de remplir dès que vous voyez que du combustible ressort par la valve de remplissage.
4. Attendez au moins trois minutes pour que le combustible se stabilise avant d'allumer l'outil VersaTip.

Installation ou changement des embouts

L'utilisation de l'embout pour brasage/soudage, du couteau, du limeur, de l'embout à air chaud, de la soufflante à embout large ou du déflecteur nécessite l'installation du diffuseur de flamme.

Installation du diffuseur de flamme : dévissez l'écrou de fixation du dispositif de protection contre la flamme et retirez ce dispositif. Faites glisser le diffuseur de flamme dans le dispositif de protection contre la flamme en introduisant en premier l'extrémité étroite du diffuseur de flamme dans le dispositif de protection contre la flamme. La Figure 4

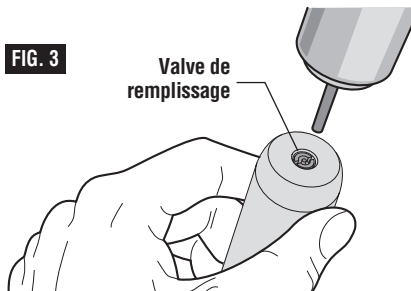


FIG. 3

Valve de remplissage

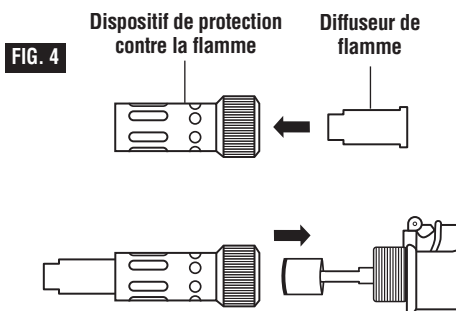


FIG. 4

Dispositif de protection contre la flamme

Diffuseur de flamme

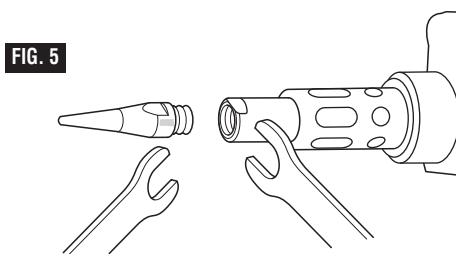


FIG. 5

Clé de 7 mm & clé de 8 mm

montre l'assemblage correct du diffuseur de flamme. Placez à nouveau le dispositif de protection contre la flamme avec le diffuseur de flamme sur l'outil et serrez à fond l'écrou de fixation du dispositif de protection contre la flamme.

Installation des embouts accessoires filetés : enfitez l'embout désiré dans le diffuseur de flamme et serrez en utilisant la clé de 7 mm tout en utilisant la clé de 8 mm pour tenir en place le diffuseur de flamme, Figure 5. Pour les retirer, suivez la procédure d'installation dans l'ordre inverse.

Installation de la soufflante à embout large : faites glisser la soufflante à embout large par dessus le diffuseur de flamme et le dispositif de protection contre la flamme jusqu'à ce que la soufflante à embout large soit fermement assujettie au dispositif de protection contre la flamme. Assurez-vous qu'il n'y a aucun embout installé dans le diffuseur de flamme avant d'installer la soufflante à embout large. Pour la retirer, faites glisser la soufflante à embout large pour la détacher du dispositif de protection contre la flamme et du diffuseur de flamme.

Installation du déflecteur : faites glisser le déflecteur par-dessus le bout du diffuseur de flamme jusqu'à ce que le déflecteur soit fermement assujetti au diffuseur de flamme. Pour le retirer, faites glisser le déflecteur pour le détacher du diffuseur de flamme.

Allumage et fonctionnement de l'outil Dremel VersaTip

L'allumeur de l'outil Dremel VersaTip est muni d'un mécanisme de sécurité prévu pour protéger contre un allumage accidentel.

Pour allumer l'outil VersaTip :

- Faites tourner le mécanisme coulissant pour le contrôle de la flamme afin de le mettre dans la position minimum,
- Saisissez le corps du chalumeau en plaçant votre pouce sur le mécanisme de verrouillage de sécurité,
- En utilisant votre pouce, faites tourner le mécanisme de verrouillage de sécurité vers l'avant (Figure 6) et tirez sur la gâchette (Figure 7),
- Observez le dispositif de protection contre la flamme pour voir si la lueur d'une flamme est visible. Écoutez également pour identifier le bruit que fait normalement une flamme.

S'il n'y a pas de lueur de flamme et si le bruit que vous entendez est celui de gaz qui s'échappe, relâchez la gâchette et répétez les étapes c et d. En cas d'allumage, passez à l'étape e.

- Une fois le chalumeau allumé, vous pouvez maintenir le doigt sur la gâchette pour préserver la flamme ou faire glisser le bouton de verrouillage en état de marche en position de verrouillage pour permettre un fonctionnement continu (Figure 8).

Pour éteindre l'outil Dremel VersaTip, relâchez la gâchette et poussez le bouton de verrouillage en état de marche vers la droite s'il avait été engagé pendant l'utilisation de l'outil. Ceci coupera immédiatement l'arrivée de gaz butane et éteindra la flamme du chalumeau.

Réglage de la longueur de la flamme et de la température

Le réglage de la longueur de la flamme / de la température peut être effectué en ajustant le mécanisme coulissant pour le contrôle de la flamme.

FIG. 6

Mécanisme coulissant pour le contrôle de la flamme

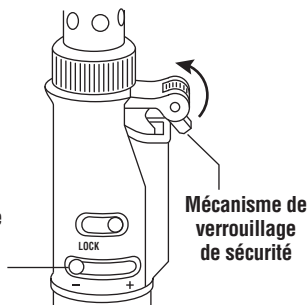


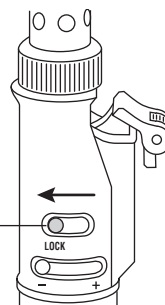
FIG. 7

Gâchette



FIG. 8

Bouton de verrouillage en état de marche



Pour allonger la flamme et augmenter la température, déplacez le mécanisme coulissant pour le contrôle de la flamme vers la droite (+). Pour réduire la longueur de la flamme et abaisser la température, déplacez le mécanisme coulissant pour le contrôle de la flamme vers la gauche (-).

Lorsque vous utilisez l'un quelconque des accessoires de contact (Figure 2) attendez 25 secondes pour que les embouts atteignent la température de fonctionnement nominale. Lorsque vous utilisez des accessoires sans contact (figure 2), ils seront à la température de fonctionnement nominale immédiatement après l'allumage.

Applications



Utilisation avec une flamme nue

Quand il est configuré pour un fonctionnement avec une flamme nue, l'outil VersaTip peut être utilisé pour des tâches telles que la caramélisation culinaire, le brasage, le ressuage de tuyaux en cuivre et la libération d'écrous et de boulons grippés.

Pour utiliser l'outil Dremel VersaTip avec une flamme nue, dévissez le dispositif de protection contre la flamme, retirez le diffuseur de flamme et l'embout (s'il est attaché), vissez à nouveau le dispositif de protection contre la flamme sur l'outil et serrez à fond l'écrou de fixation du dispositif de protection contre la flamme.

Utilisation avec l'embout pour brasage/soudage

L'embout pour brasage/soudage (qui doit être utilisé avec le diffuseur de flamme) peut être utilisé pour des activités de soudage ordinaires, y compris pour joindre des fils et installer des composants sur des cartes de circuits imprimés.

Utilisation avec l'embout à air chaud

L'embout à air chaud (qui doit être utilisé avec le diffuseur de flamme) peut être utilisé pour chauffer des matériaux thermosensibles.

L'embout à air chaud chauffe l'air jusqu'à 1 256 °F (680 °C).

Utilisation avec le couteau

Le couteau (qui doit être utilisé avec le diffuseur de flamme) peut être utilisé pour couper nettement et uniformément des câbles de nylon.

Utilisation avec le limeur

Le limeur (qui doit être utilisé avec le diffuseur de flamme) peut être utilisé pour couper des feuilles de plastique et d'autres matériaux thermosensibles à la taille désirée.

Utilisation avec la soufflante à embout large

La soufflante peut être utilisée pour préparer des surfaces en vue de décapage précis de peintures et d'autres enduits.

Utilisation avec le déflecteur

Le déflecteur (qui doit être utilisé avec le diffuseur de flamme) sert à faire rétrécir des matériaux isolants thermosensibles tels que des gaines de fils électriques.

Suivez les instructions fournies avec les matériaux utilisés et sur lesquels vous travaillez.

Maintenance & rangement

Maintenance

Nettoyez l'extérieur de l'outil avec un tissu propre et sec. Si nécessaire, utilisez un tissu humide.

Après avoir effectué une soudure, afin de nettoyer l'embout pour brasage/soudage, essuyez cet embout sur une éponge humide pendant qu'il est toujours chaud et que la brasure est en fusion.

Ne nettoyez jamais l'embout pour brasage/soudage avec du papier de verre, car cela réduirait sa durée de vie.

La buse du chalumeau peut être obstruée par des impuretés dans le gaz butane. Pour remettre le chalumeau dans son état de fonctionnement optimal, il faut remplacer la buse. Contactez le service clientèle de Dremel pour commander une buse de remplacement avec les instructions appropriées.

Rangement

Assurez-vous que le bouton de verrouillage en état de marche est dans la position déverrouillée et que la gâchette est verrouillée en état d'impossibilité de mise en marche avec le mécanisme de verrouillage de sécurité.

Attendez quelques minutes que le chalumeau refroidisse.

Après que le chalumeau aura suffisamment refroidi, rangez-le à un endroit hors de la portée des enfants.

Garantie limitée de Dremel®

Votre produit Dremel est garanti contre les vices de matériau ou de façon pendant un délai de deux ans à compter de la date d'achat. Dans l'hypothèse où le produit ne se conformerait pas à cette garantie écrite, veuillez procéder de la façon suivante :

1. NE RAPPORTEZ PAS votre produit à l'endroit où vous l'avez acheté.
2. Emballez avec soin le produit seul, sans aucun autre article, et renvoyez-le, en port payé, accompagné :
 - A. d'une copie de votre justificatif d'achat daté (veuillez en garder une copie pour vous-même)
 - B. d'une déclaration écrite concernant la nature du problème
 - C. d'une indication de vos nom, adresse et numéro de téléphone, à l'adresse suivante :

ÉTATS-UNIS
Dremel Service Center
4915 21st Street
Racine, WI 53406

OU

CANADA
 Giles Tool Agency
 Scarborough, Ont.
 Canada M1K 3K9 1-416-287-3000

À L'EXTÉRIEUR DU TERRITOIRE CONTINENTAL DES ÉTATS-UNIS

Consultez votre distributeur local ou écrivez à Dremel : 4915 21st Street Racine, WI 53406

Nous vous recommandons d'assurer le paquet contre la perte ou les dommages en cours de route dont nous ne pouvons assumer la responsabilité.

Cette garantie n'est offerte qu'à l'acheteur enregistré d'origine. LES DOMMAGES AU PRODUIT RÉSULTANT DE MANIPULATIONS ABUSIVES, D'ACCIDENTS, D'USAGES ABUSIFS, DE NÉGLIGENCE, DE RÉPARATIONS OU D'ALTÉRATIONS NON AUTORISÉES, D'UTILISATION D'ACCESSOIRES NON APPROUVÉS OU D'AUTRES CAUSES NON LIÉES AU MATÉRIAU OU À LA FAÇON NE SONT PAS COUVERTS PAR CETTE GARANTIE.

Aucun employé, mandataire, vendeur ou autre n'est autorisé à accorder des garanties au nom de Dremel. Si l'inspection effectuée par Dremel révèle que le problème a été causé par un problème de matériau ou de façon dans les limites de la garantie, Dremel réparera ou remplacera le produit gratuitement et renverra le produit en port payé. Si elles peuvent être effectuées, les réparations rendues nécessaires par l'usure normale ou un usage abusif, ou les réparations du produit une fois la période de garantie expirée, seront facturées aux tarifs réguliers de l'usine.

DREMEL N'ACCORDE AUCUNE AUTRE GARANTIE DE QUELQUE NATURE QUE CE SOIT, EXPLICITE OU IMPLICITE, ET TOUTES LES GARANTIES IMPLICITES DE COMMERCIALISATION ET D'APTITUDE À UN USAGE PARTICULIER EN PLUS DE L'OBLIGATION SUSVISÉE SONT REJETÉES PAR LES PRÉSENTES PAR DREMEL ET EXCLUES DE CETTE GARANTIE LIMITÉE.

Cette garantie vous accorde certains droits précis, et vous pouvez également avoir d'autres droits qui varient d'un endroit à un autre. L'obligation du garant se limite à réparer ou remplacer le produit. Le garant n'est responsable d'aucun dommage accessoire ou indirect attribuable à de telles défaillances alléguées. Certaines juridictions ne permettent pas l'exclusion ou la limitation des dommages accessoires ou indirects ; il se peut donc que les limitations ou l'exclusion qui précède ne s'appliquent pas à vous.

En ce qui concerne les prix et la façon de vous prévaloir de la garantie sur le territoire continental des États-Unis, mettez-vous en contact avec votre distributeur Dremel local.

Importé pour Dremel® aux É.-U. par :
 Robert Bosch Tool Corporation
 1800 West Central Road
 Mount Prospect, Illinois 60056 (États-Unis)

Advertencias de seguridad

LEER TODAS LAS INSTRUCCIONES. GUARDAR TODAS LAS ADVERTENCIAS E INSTRUCCIONES PARA REFERENCIA FUTURA

▲ PELIGRO

Leer todas las instrucciones en este manual y familiarizarse con el soplete antes de encenderlo y usarlo. Hacer caso omiso de las advertencias e instrucciones podría dar lugar a un incendio o explosión que podría causar daños materiales, lesiones corporales graves o la muerte.

El tanque contiene gas a presión sumamente inflamable.

Mantener el soplete fuera del alcance de niños y de toda persona que no haya leído estas Instrucciones de funcionamiento y seguridad.

No apuntar la llama o el orificio de escape del soplete hacia la cara, hacia otras personas o hacia artículos inflamables.

Adoptar precauciones para no calentar el tanque de combustible.

No exponer el soplete ni el combustible a temperaturas superiores a 49 °C (120 °F) o luz solar prolongada.

Jamás utilizar el soplete en o alrededor de vapores o líquidos inflamables o materiales explosivos.

Jamás dejar el soplete desatendido mientras esté encendido. Asegurarse de que el soplete esté completamente extinguido después de usarlo.

Jamás perforar el tanque de combustible o exponer el soplete a llamas externas.

Jamás intentar reparar o calentar un recipiente que haya contenido líquido o gas inflamable o alguna sustancia química. Calentar estos contenedores puede causar un incendio o una explosión.

Jamás usar el soplete cerca de sustancias o materiales combustibles (combustibles, trapos, toallas, productos de papel, etc.). Ser prudente en torno a vehículos automotrices o cualesquier productos accionados a gasolina y estar conciente de tuberías y tanques de combustible ocultos.

Al colocar aparte el soplete, asegurarse de que no esté orientado hacia objetos que pudieran encenderse.

No inhalar gas, humo, vapor o rocío. En caso de inhalación, retirar a la persona afectada hacia el aire fresco. Siempre usar el soplete en un área bien ventilada.

Usar una máscara de protección respiratoria al trabajar en aplicaciones donde pudieran haber vapores tóxicos o nauseabundos. Evitar los humos de fundentes, pintura a base de plomo y toda operación de calentamiento de metales. Podrían haber humos de cadmiado y galvanización de metales.

Evitar el contacto del combustible con los ojos o la piel. En caso de contacto con los ojos, lávese inmediata y abundantemente con agua y acúdase a un médico. En caso de contacto con la piel, lávese inmediata y abundantemente con agua.

Siempre proteger el soplete contra impactos o caídas sobre el piso o superficies duras. Jamás usar el soplete si se sospecha alguna avería.

No modificar el soplete ni alterar la configuración de fábrica de ninguna manera.

Siempre usar piezas de repuesto recomendadas por el fabricante.

Leer las instrucciones de reabastecimiento de combustible antes de reabastecer de combustible el soplete.

No fumar mientras se abastece, reabastece o utiliza el soplete.

⚠ ADVERTENCIA Antes de usar el soplete, revisar todas las piezas individuales para determinar que funcionen apropiadamente y no presenten averías.

No usar este soplete para calentar, moldear o doblar láminas de plástico, moldes o tubería de plástico.

Se debe tener sumo cuidado al retirar pintura. Las peladuras, el residuo y los vapores de la pintura podrían contener plomo, el cual es tóxico. Toda pintura de fecha anterior a 1977 podría contener plomo y la pintura aplicada a viviendas antes de 1950 probablemente contiene plomo. Una vez depositado en superficies, el contacto mano-boca puede llevar a la ingestión de plomo. La exposición inclusive a niveles bajos de plomo puede causar daños irreversibles al cerebro y al sistema nervioso; los niños de corta edad y los fetos son especialmente vulnerables. Antes de comenzar todo proceso de retirar pintura se debe determinar si la pintura que se está retirando contiene plomo. Esto lo puede hacer el departamento de salud local o un profesional que utilice un analizador de pintura para determinar el contenido de plomo de la pintura a retirarse. ÚNICAMENTE UN PROFESIONAL HA DE RETIRAR PINTURA A BASE DE PLOMO, Y NO SE LA HA DE RETIRAR CON SOPLETE.

Las personas que retiran pintura deben seguir estas directrices:

- 1) Llevar la pieza de trabajo al aire libre. Si esto no es posible, mantener el área de trabajo bien ventilada. Abrir las ventanas y colocar un ventilador de extracción en una de ellas. Asegurarse de que el ventilador lleve el aire del interior hacia el exterior.
- 2) Retirar o cubrir el alfombrado, las alfombras, los muebles, la ropa, los utensilios de cocina y los conductos de aire.
- 3) Colocar mantas en el área de trabajo para atrapar fragmentos o peladuras de pintura. Vestir indumentaria protectora tal como camisas adicionales, mono de trabajo y sombreros.
- 4) Trabajar en una habitación a la vez. Se debe sacar el mobiliario o colocarlo en el centro de la habitación y cubrirlo. Se deben aislar las áreas de trabajo del resto de la vivienda mediante el sellado del vano de las puertas con mantas.
- 5) Los niños, las mujeres embarazadas o posiblemente embarazadas y las madres lactantes no deben estar presentes en el área de trabajo sino hasta que se haya concluido el trabajo y se haya completado la limpieza.

6) Usar una máscara respiratoria antipolvo o una máscara respiratoria de filtro doble (polvo y humo) que haya sido aprobada por la Administración de Seguridad y Salud Ocupacional (OSHA, por sus siglas en inglés), el Instituto Nacional para la Seguridad y Salud Ocupacional (NIOSH, por sus siglas en inglés) o el Departamento de Minería de los Estados Unidos o las autoridades locales competentes. Estas máscaras y los filtros cambiabiles están fácilmente disponibles en las principales ferreterías. Asegurarse de que la máscara quede ajustada. La barba y el vello facial podrían impedir el sellado correcto de las máscaras. Cambiar los filtros a menudo. **LAS MÁSCARAS DE PAPEL DESECHABLES NO SON ADECUADAS.**

7) Tener cuidado al usar el soplete. Puesto que el calor excesivo genera humos, que pueden ser inhalados por el usuario, mantener el soplete en movimiento.

8) Mantener alimentos y bebidas fuera del área de trabajo. Lavarse las manos, los brazos y la cara y enjuagarse la boca antes de comer o beber. No fumar ni mascar chicle o tabaco en el área de trabajo.

9) Trapear los pisos con un trapeador húmedo para limpiar toda la pintura retirada y el polvo. Usar un paño húmedo para limpiar todas las paredes, umbrales y cualquier otra superficie donde haya polvo o pintura adheridos. **NO BARRER, DESEMPOLVAR EN SECO O LIMPIAR CON ASPIRADORA.** Usar un detergente con alto contenido de fosfato o fosfato trisódico para lavar y trapear las áreas de trabajo.

10) Al final de cada sesión de trabajo colocar los residuos de pintura y despojos en una bolsa plástica doble, cerrarla con cinta adhesiva o amarres de retorcer y eliminarla apropiadamente.

11) Quitarse la indumentaria protectora y el calzado de trabajo en el área de trabajo para no llevar polvo hacia el resto de la vivienda. Lavar la indumentaria de trabajo por separado. Limpiar el calzado con un trapo húmedo que luego se lava junto con la indumentaria de trabajo. Lavarse el cabello y el cuerpo completamente con agua y jabón.

Jamás intentar usar el soplete como encendedor de cigarrillos, puros o pipas.

Siempre usar protección ocular al encender y usar el soplete.

Mantener el cabello y la indumentaria alejados de la llama. La indumentaria holgada o el cabello largo puede incendiarse. La soldadura caliente puede causar quemaduras.

Usar únicamente combustible de butano líquido al abastecer o reabastecer el soplete.

Antes de usar el soplete y después de reabastecerlo, asegurarse de que no hayan fugas. Jamás usar una llama para averiguar si hay fugas. Si se sospecha que hay una fuga, usar una solución de agua jabonosa y observar si hay burbujeo continuo.

Encender el soplete lejos de la cara, manos, indumentaria u otro material inflamable.

Descontinuar el flujo de gas si el soplete se extingue accidentalmente.

Siempre inspeccionar para asegurarse de no estar calentando piezas o materiales no previstos. Podría haber conducción de calor a objetos o sustancias cercanas que podrían encenderse o verse sometidos a sobrepresión al calentarse.

Utilizar métodos especificados por OSHA para decapar al preparar piezas de trabajo de metal enchapado para calentamiento.

Al manipular piezas de trabajo con ambas manos, siempre asegurarse de que el soplete descansa de manera segura en el soporte.

No tocar el guardallama, el difusor de llama, las boquillas y accesorios del soplete sino hasta que se hayan enfriado. El guardallama, el difusor de llama, las boquillas y accesorios del soplete se calientan muchísimo y permanecen calientes después de extinguirse la llama.

Tener cuidado al usar el soplete al aire libre. El sol radiante dificulta ver la llama del soplete. El viento podría acarrear calor o chispas hacia el usuario, áreas no previstas para calentamiento o materiales combustibles.

Dejar que el soplete enfríe completamente antes de reabastecerlo de combustible, cambiar accesorios, limpiarlo o guardarlo.

Guardar el soplete en áreas bien ventiladas.

Usar únicamente accesorios Dremel para asegurar el funcionamiento apropiado del VersaTip Dremel.

No empacar este artículo ni ningún otro artículo a gas inflamable en ningún equipaje registrado o de mano. El Reglamento de Materiales Peligrosos del Departamento de Transporte prohíbe el transporte de butano u otros productos de gas inflamable en aviones de pasajeros.

GUARDAR ESTAS INSTRUCCIONES

La Dremel VersaTip 2000 cumple o excede el Estándar de Seguridad CPSC para encendedores multiuso del código 16 C.F.R. § 1212.17(b) y la Ley Federal Estadounidense sobre Sustancias Peligrosas (FHSA).

Descripción funcional

VersaTip Dremel®

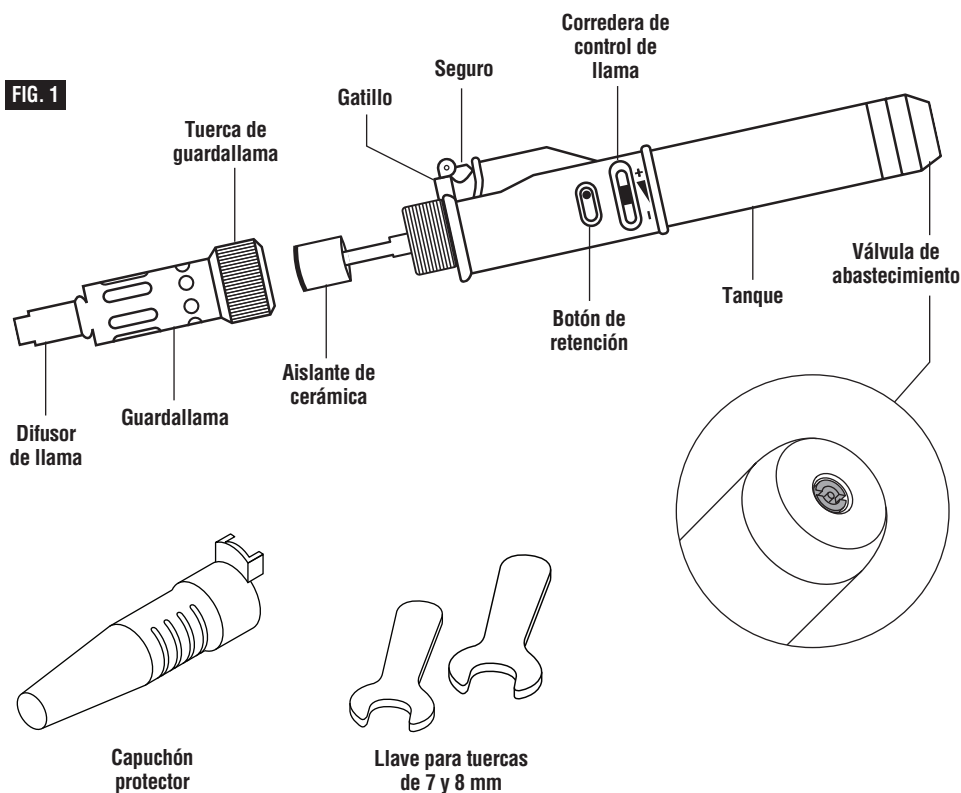
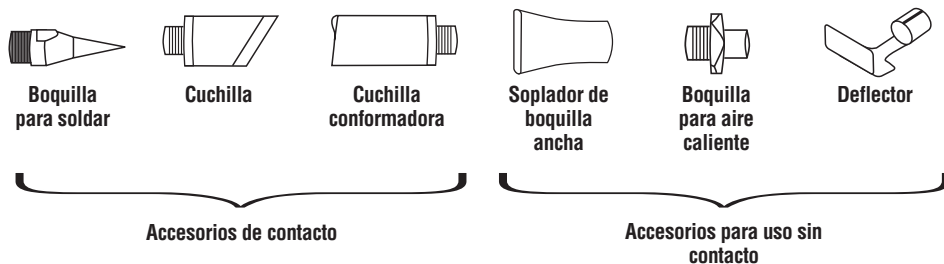


FIG. 2



Instrucciones de uso

⚠ ADVERTENCIA Al usar el soplete observar todas las advertencias e instrucciones de seguridad provistas.

En clima frío el tamaño de la llama será más pequeño. Para producir una llama más grande, precalentar el soplete hasta la temperatura ambiente antes de usarlo.

Asegurarse de que todos los accesorios estén apretados de manera segura antes de encender el soplete.

Familiarizarse con la construcción de los componentes del VersaTip Dremel (Figura 1), y con sus accesorios (Figura 2) antes de usarlo.

Operación de abastecimiento y reabastecimiento

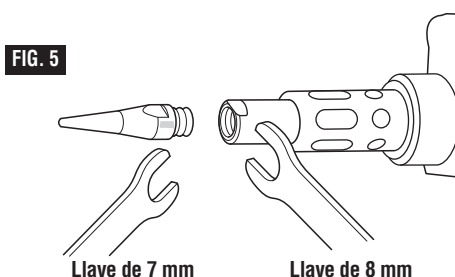
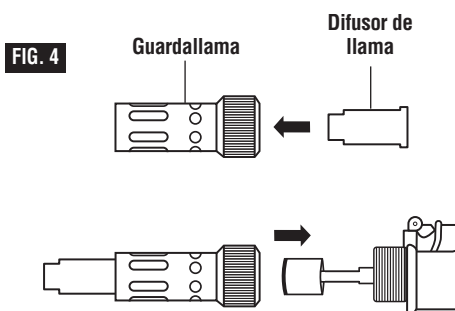
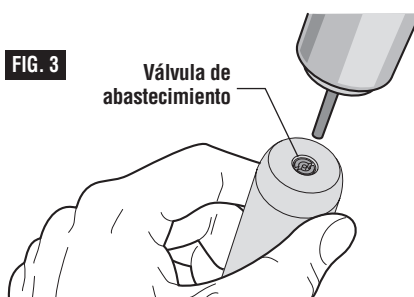
Se ha de abastecer o reabastecer el tanque de combustible en un lugar bien ventilado alejado de toda fuente posible de encendido. Asegurarse de observar las instrucciones de seguridad y avisos de advertencia provistos por el fabricante del combustible de butano líquido. Asegurarse de que el gas a utilizarse sea gas de butano refinado que también se pueda utilizar para encendedores.

1. Sujetar el VersaTip con la válvula de abastecimiento hacia arriba; luego, invertir el contenedor de combustible e insertar la punta en la válvula de abastecimiento como se ilustra en la Figura 3.
2. Empujar el contenedor de combustible y el VersaTip entre sí para permitir que el combustible fluya hacia el tanque de combustible del soplete. El tanque de combustible del VersaTip debe llenarse en aproximadamente 10 segundos.
3. Parar el reabastecimiento una vez que el combustible comience a escapar en la válvula de abastecimiento.
4. Esperar al menos 3 minutos para permitir que el gas combustible se estabilice antes de encender el VersaTip.

Instalación o cambio de boquillas

El uso de la boquilla para soldar, la cuchilla, la cuchilla conformadora, la boquilla de aire caliente, el soplador de boquilla ancha y el deflector requiere que el difusor de llama esté instalado.

Instalación del difusor de llama: Desatornillar la tuerca del guardallama y retirar el guardallama. Deslizar el difusor de llama en el guardallama mediante la inserción del extremo angosto del difusor de llama en el guardallama primero. La Figura 4 muestra el montaje correcto del difusor de llama. Colocar el guardallama con el difusor de llama nuevamente en la herramienta y apretar de manera segura la tuerca del guardallama.



Instalación de boquillas-acesorio roscadas:

Enroskar la boquilla deseada en el difusor de llama y apretarla con la llave para tuercas de 7 mm mientras se usa la llave para tuercas de 8 mm para sujetar el difusor de llama en posición, Figura 5. Para retirarlas seguir los pasos de instalación en orden inverso.

Instalación del soplador de boquilla ancha: Deslizar el soplador de boquilla ancha sobre el difusor de llama y el guardallama hasta que el soplador de boquilla ancha esté firmemente asegurado en el guardallama. Asegurarse de que no hay ninguna boquilla instalada en el difusor de llama antes de instalar el soplador de boquilla ancha. Para retirarlo,

deslizar el soplador de boquilla ancha, alejándolo del guardallama y del difusor de llama.

Instalación del deflector: Deslizar el deflector sobre el extremo del difusor de llama hasta que el deflector esté firmemente asegurado al difusor de llama. Para retirarlo, deslizar el deflector alejándolo del difusor de llama.

Encendido y uso del VersaTip Dremel

El encendedor del VersaTip Dremel está provisto de un mecanismo de seguridad previsto para proteger contra el encendido accidental.

Para encender el VersaTip:

- Colocar la corredera de control de llama en la posición mínima,
- Agarrar el cilindro del soplete mientras se coloca el pulgar en el seguro,
- Con el pulgar, rotar el seguro hacia adelante (Figura 6) y tirar del gatillo (Figura 7),
- Observar el guardallama para ver si el resplandor de la llama es visible. También, prestar atención al sonido de la llama.

Si no hay resplandor de llama y el sonido es de fuga de gas, soltar el gatillo y repetir los pasos c y d. Si el encendido ocurre, continuar con el paso e.

- Una vez que el soplete está encendido, se puede tener apretado el gatillo para mantener la llama, o deslizar el botón de retención hacia la posición de retención para operación continua.

Para apagar el VersaTip Dremel, soltar el gatillo y mover el botón de retención hacia la derecha si estaba activado durante el uso. Esto detendrá inmediatamente el flujo de gas butano y extinguirá la llama del soplete.

Ajuste de la longitud y temperatura de la llama

El ajuste de la longitud y temperatura de la llama se puede efectuar mediante el ajuste de la corredera de control de llama. Para aumentar la longitud y temperatura de la llama, mover la corredera de control de llama hacia la derecha (+). Para disminuir la longitud y temperatura de la llama, mover la corredera de control de llama hacia la izquierda (-).

Al utilizar el soplete con cualquiera de los accesorios de contacto (Figura 2) dejar transcurrir 25 segundos para que las boquillas alcancen la temperatura plena. Al utilizar el soplete con accesorios para uso sin contacto (Figura 2) la temperatura plena está disponible inmediatamente después del encendido.

FIG. 6

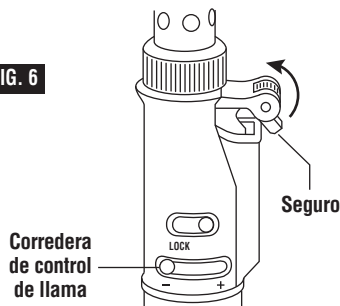


FIG. 7

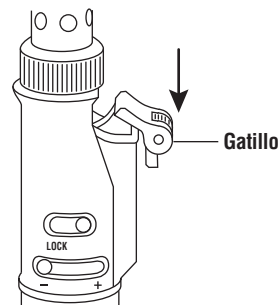
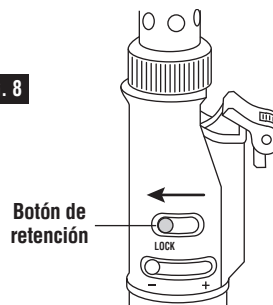
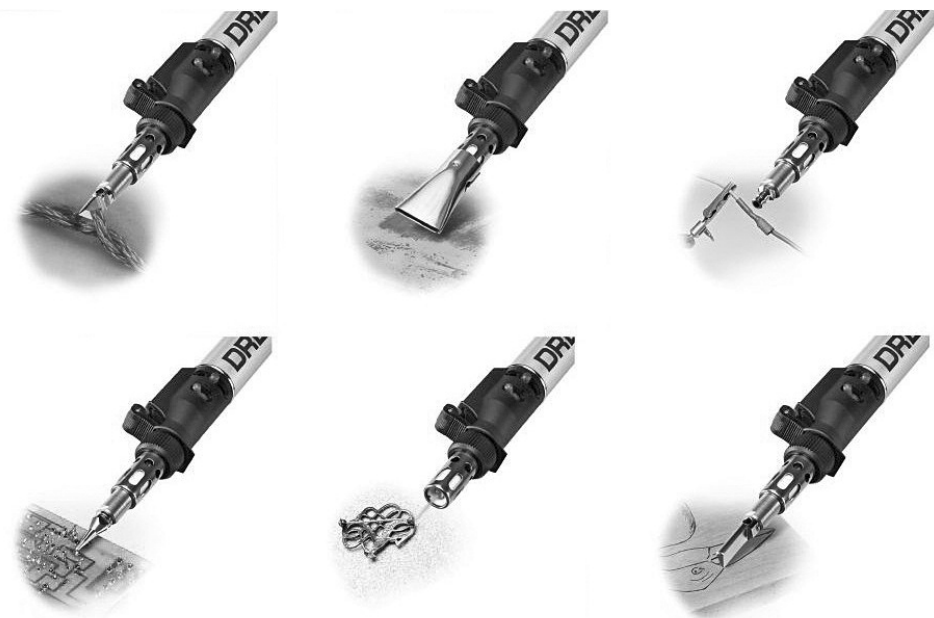


FIG. 8



Aplicaciones



Uso con llama abierta

Al configurarlo para llama abierta, se puede usar el VersaTip para tareas como caramelización culinaria, soldadura fuerte, soldadura de tubería de cobre por fusión y liberación de tuercas y pernos agarrotados.

Para usar el VersaTip Dremel con llama abierta, desenroscar el guardallama, retirar el difusor de llama y la boquilla (si estuviera instalada), enroscar nuevamente el guardallama en la herramienta y apretar la tuerca del guardallama ajustadamente.

Uso con boquilla para soldadura

Se puede usar la boquilla de soldadura (a usarse con el difusor de llama) para actividades normales de soldadura, incluida la unión de conductores eléctricos y la instalación de componentes en tarjetas de circuitos impresos.

Uso con boquilla de aire caliente

La boquilla de aire caliente (a usarse con el difusor de llama): se la puede utilizar para calentar materiales termosensibles.

La boquilla de aire caliente genera una temperatura de aire de 680 °C (1256 °F).

Uso con la cuchilla

Se puede usar la cuchilla (a ser usada con el difusor de llama) para cortar cuerda de nailon y evitar el deshilachado.

Uso con cuchilla conformadora

Se puede usar la cuchilla conformadora (a ser usada con el difusor de llama) para cortar a medida hojas plásticas y otros materiales termosensibles.

Uso del soplador de boquilla ancha

Se puede usar el soplador para preparar áreas superficiales para retiro detallado de pintura y recubrimientos.

Uso con el deflector

El deflector (a ser usado con el difusor de llama) está previsto para la contracción de aislamiento termosensible en torno a cableado eléctrico.

Seguir las instrucciones provistas con los materiales utilizados y con los que se trabaja.

Mantenimiento y almacenamiento

Mantenimiento

Limpiar el exterior de la herramienta con un paño seco y limpio. Si fuera necesario, utilizar un paño húmedo.

Al soldar, para limpiar la boquilla de soldar, frotar la boquilla en una esponja húmeda mientras aún está caliente y la soldadura esté fundida.

Jamás limpiar la boquilla de soldar con lija puesto que esto reduce su vida útil.

La boquilla de gas del soplete puede obstruirse debido a las impurezas del gas butano. Para retornar el soplete a un estado funcional pleno, es necesario reemplazar la boquilla. Contactar al servicio posventa de Dremel para efectuar el pedido de la boquilla de reemplazo e instrucciones.

Almacenamiento

Asegurarse de que el botón de retención esté en la posición desactivada y de que el gatillo esté bloqueado con el seguro.

Dejar que el soplete enfríe durante unos cuantos minutos.

Cuando el soplete esté frío, almacenarlo fuera del alcance de niños.

Garantía limitada de Dremel®

Su producto Dremel está garantizado contra defectos de material o de fabricación durante un período de dos años a partir de la fecha de compra. En caso de que un producto no se ajuste a esta garantía escrita, por favor, tome las medidas siguientes:

1. NO devuelva el producto al lugar de compra.
2. Empaque el producto cuidadosamente y solo, sin otros artículos, y envíelo con el porte pagado junto con:
 - A. Una copia de la prueba de compra fechada (por favor, conserve una copia para usted).
 - B. Una explicación por escrito de la naturaleza del problema.
 - C. Su nombre, dirección y número de teléfono a:

ESTADOS UNIDOS
Dremel Service Center
4915 21st Street
Racine, WI 53406

O

CANADÁ
 Giles Tool Agency
 47 Granger Av.
 Canada M1K 3K9 1-416-287-3000

FUERA DE LOS TERRITORIOS CONTINENTALES DE LOS EE.UU.

Vea al distribuidor local o escriba a Dremel, 4915 21st Street Racine, WI 53406

Recomendamos que el paquete sea asegurado contra pérdida o daños durante el transporte por los cuales no podemos ser responsables.

Esta garantía tiene validez únicamente para el comprador original inscrito. LOS DAÑOS AL PRODUCTO PRODUCIDOS POR MANIPULACION INCORRECTA, ACCIDENTE, ABUSO, NEGLIGENCIA, REPARACIONES O ALTERACIONES NO AUTORIZADAS, ACCESORIOS NO APROBADOS U OTRAS CAUSAS NO RELACIONADAS CON PROBLEMAS DEL MATERIAL O LA FABRICACION NO ESTAN CUBIERTOS POR ESTA GARANTIA.

Ningún empleado, agente, distribuidor, ni ninguna otra persona está autorizado a dar ninguna garantía en nombre de Dremel. Si la inspección de Dremel demuestra que el problema fue causado por problemas con el material o la fabricación dentro de los límites de la garantía, Dremel reparará o reemplazará el producto gratuitamente y devolverá el producto con el porte pagado. Las reparaciones necesarias debido al desgaste normal o al abuso, o las reparaciones de productos que se encuentren fuera del período de garantía, en caso de que se puedan realizar, se cobrarán a precios de fábrica normales.

DREMEL NO DA NINGUNA OTRA GARANTIA DE NINGUN OTRO TIPO, EXPRESA O IMPLICITA, Y TODAS LAS GARANTIAS IMPLICITAS DE COMERCIABILIDAD E IDONEIDAD PARA UN PROPOSITO ESPECIFICO QUE EXCEDEN LA OBLIGACION MENCIONADA ANTERIORMENTE QUEDAN POR LA PRESENTE RECHAZADAS POR PARTE DE DREMEL Y ESTAN EXCLUIDAS DE ESTA GARANTIA LIMITADA.

Esta garantía le confiere a usted derechos legales específicos y es posible que usted también tenga otros derechos que varían de un estado a otro. La obligación del garante consiste únicamente en reparar o reemplazar el producto. El garante no es responsable de ningún daño incidental o emergente debido a cualquiera de dichos defectos alegados. Algunos estados no permiten la exclusión o limitación de los daños incidentales o emergentes, por lo que es posible que las limitaciones o la exclusión anteriores no sean aplicables en el caso de usted.

Para precios y cumplimiento de la garantía en los territorios continentales de los Estados Unidos, póngase en contacto con el distribuidor local Dremel.

Importado para Dremel® en los EE. UU. por:

Robert Bosch Tool Corporation
 1800 West Central Road
 Mount Prospect, Illinois 60056



2 6 1 0 2 0 6 3 5 6