

PYLE
PyleUSA.com



VISIT US ONLINE:
Have a question?
Need service or repair?
Want to leave a comment?
PyleUSA.com/ContactUs

PYLE

PYLE
PyleUSA.com



PWMA1216BM

**Portable PA Speaker Amplifier
& Microphone System**

Bluetooth Wireless Streaming, Built-in Rechargeable Battery, Accessory Kit
(Includes Handheld Mic, Headset Mic, Lavalier Mic, Belt Pack Transmitter)

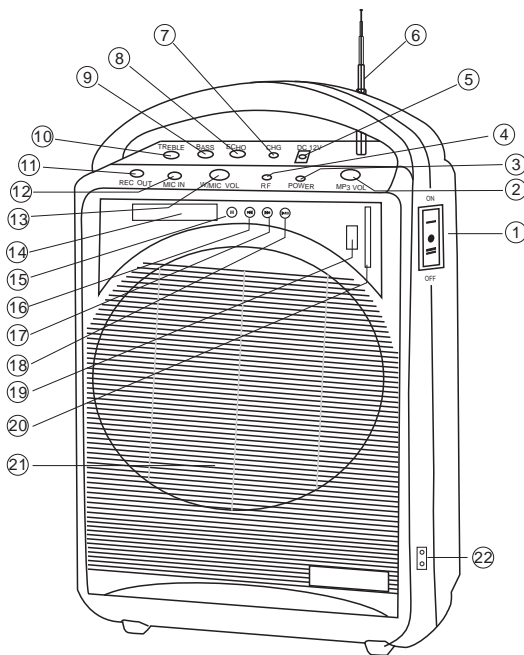
USER MANUAL

CAUTION

1. This unit has a speaker inside which can cause magnetic field. Keep this unit at least 60cm away from computer or TV.
2. This unit has built-in rechargeable battery. Please recharge the battery every 2 months if you are not going to use the unit for a long period of time to prevent battery damage.
3. If the battery is damaged please replace with same specifications battery and dispose the damaged battery environment friendly.
4. Free from high temperature. Don't expose the device to hot equipment.
5. Don't place the device in the environment of humidity and dirt.
6. Place the device in the ventilated environment.
7. Don't pull the power cord while you pull out the plug. Hold the plug tightly to pull it out.
8. Pull out the AC power if you will not use the device for a long time.
9. Your operation must be subjected to the specified voltage marked near the AC in jack and complied with this guide.

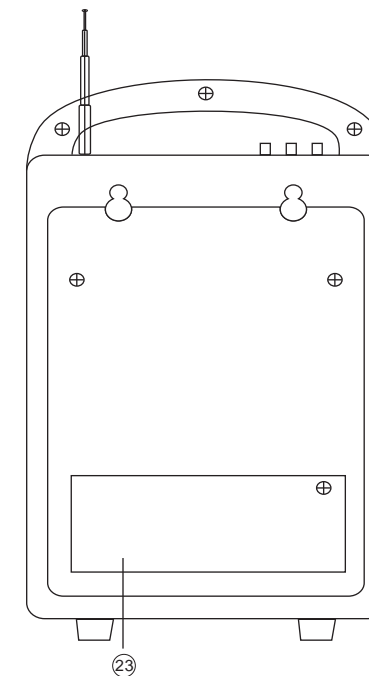
PARTS DESCRIPTION

1. Power ON/OFF switch
2. MP3 volume control
3. Power ON LED indicator
4. RF ON LED indicator
5. External DC input jack
6. Wireless receiver antenna
7. Charge LED indicator
8. Echo level control
9. Bass level control
10. Treble level control
11. Record out jack
12. MIC Input jack



2

13. Wired/wireless MIC volume control
14. MP3 display
15. MP3 mode
16. MP3 previous/volume-
17. MP3 next/volume+
18. MP3 play/pause
19. USB port
20. SD/MMC card slot
21. Speaker
22. AC input jack
23. Battery compartment



AC POWER OPERATION

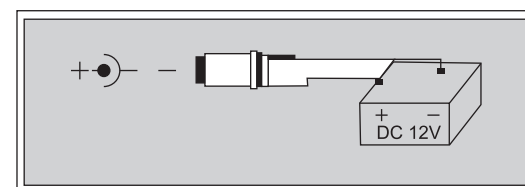
Plug one end of provided AC cord into the AC input jack on the right side of the amplifier. Then plug the other end of AC cord into AC power outlet. Turn on the unit using the power/volume switch.

NOTE:

To avoid damaging your unit, make sure AC power is same as that marked near AC input jack)

DC POWER OPERATION

This unit can be powered also using external 12V DC power. Connect external 12V DC power to DC input jack on top panel of the amplifier. Observe the correct polarity as following.



3

RECHARGEABLE BATTERY OPERATION

This unit can be powered internally using the built-in rechargeable battery. When AC power is connected, if battery charging indicator lights red, the rechargeable battery is not fully charged and will be allowed to charge while the unit is powered by the AC power.

Note:

Turning off the unit power switch will allow the battery to recharge more quickly.

If the battery charging indicator lights green, the battery is fully charged and ready to power the unit alone. Shut off the power switch and disconnect the AC power. Turn the unit back on and the rechargeable battery will power the unit alone.

CONNECTION

The **REC OUT** socket can be connected to a recording device or to the input jack of a power amplifier to further amplify and enlarge the audio power.

The **MIC IN** socket can be connected to wired dynamic MIC. Keep MIC head away from the speaker of main unit to avoid feedback.

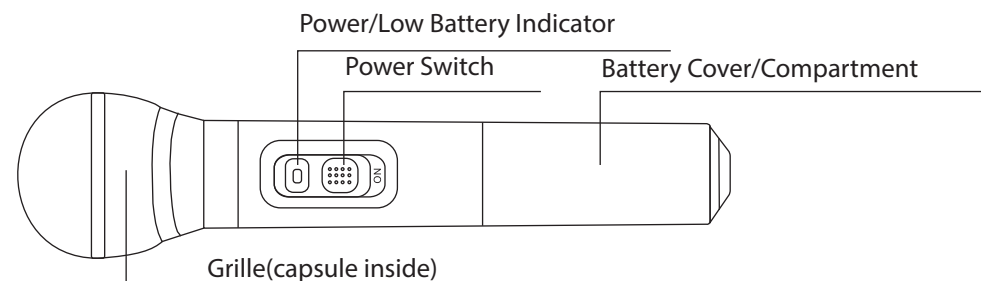
BLUETOOTH/MP3 OPERATION

1. Insert flash drive into **USB** port or **Micro SD Memory Card** into Micro SD Memory Card Slot, system will play the music in flash drive or Micro SD Memory Card automatically. If both flash drive and Micro SD Memory Card are inserted, system will play the music in flash drive. To play music in Micro SD Memory Card press **MODE** button to switch to SD mode.
2. To play music from your mobile phone etc via bluetooth, press **MODE** button to switch to BT mode. Turn on bluetooth function of your mobile phone and search for Pyle Audio and connect. Then you can play your music in mobile phone.

ATTENTION:

1. If feedback (howling sound) occurs, try first turning down the treble control. If feedback still is present, try turning down the volume or repositioning this unit with respect to the wired or wireless microphone being used.
2. Extend the antenna fully whenever using the wireless microphone to ensure optimum performance and maximum range.

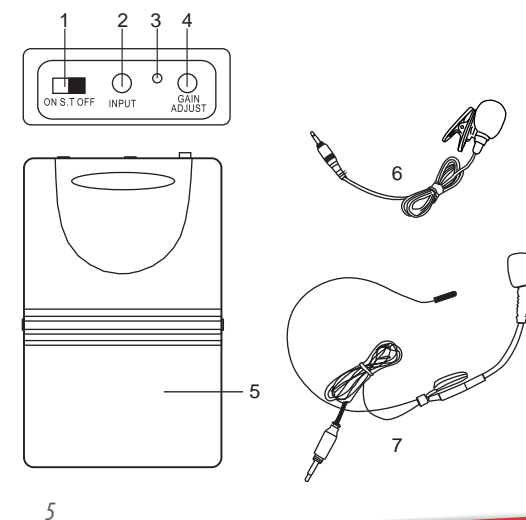
OPERATION OF WIRELESS MICROPHONE



1. Open battery cover and install **2PCS AA batteries** into battery compartment with correct polarity. Then close the battery cover.
2. Slide power switch to **"ON"** position to turn on the microphone. Power indicator will flash once and then go off. This indicates correct operation.
3. The **RF** indicator on the amplifier should now be lit.
4. Adjust the wireless **MIC** volume control of the amplifier to a comfortable listening level as desired.
5. Slide power switch to center **"MUTE"** position to mute the sound.
6. During operation if power indicator lights red, this indicates the battery is low. Please replace new battery.
7. If the microphone is not going to be used for any length of time, slide power switch to **OFF** position and remove the battery.

BELT PACK TRANSMITTER OPERATION

1. Power On/Off/Mute switch
2. MIC input socket
3. Power/low battery Indicator
4. Gain adjustment
5. Battery compartment/cover
6. Lapel MIC
7. Headset MIC



1. Open battery cover and install **2PCS AA batteries** into battery compartment with correct polarity. And then close the cover.
2. Plug in either the clip-on or the headset microphone.
3. To use the clip-on MIC, attach it at chest level. Do not place too close to the mouth - a distance of about six inches usually works best. To use the headset MIC, place it on the head and adjust the MIC boom so that the MIC is about one inch to the side of the front of the mouth.

Note: The clip-on or headset MIC wire is also the transmitting antenna. Rolling up or shortening the wire may reduce the effective operating range. Extend the wire fully during use and keep it as straight as possible.

4. Turn on the transmitter by sliding the power switch to **ON** position. Power indicator will give a single quick flash, indicating usable battery strength. In the case of a dead or low battery, the power indicator either will not go on at all or will stay on continuously, indicating that the battery should be replaced with a fresh one.
5. The RF indicator on the amplifier should now be lit.
6. Adjust the volume control of body pack and/or volume control of the amplifier to a comfortable listening level as desired.
7. If the transmitter is not going to be used for any length of time, push power switch to OFF position and remove the battery.

PWMA1216BM

Portable PA Speaker Amplifier & Microphone System

Bluetooth Wireless Streaming, Built-in Rechargeable Battery, Accessory Kit
(Includes Handheld Mic, Headset Mic, Lavalier Mic, Belt Pack Transmitter)

Features:

- Versatile Public Address Microphone & Speaker
- Bluetooth Wireless Music Streaming Ability
- USB Flash & SD Memory Card Readers
- MP3 Digital Audio File Compatibility
- Built-in Rechargeable Battery, 10+ Hour Operation
- 1/4" Microphone Input Jack
- Audio (3.5mm) Output, Connect External Speakers
- Full Range Stereo Sound Reproduction

- Includes Wireless VHF Handheld Microphone
- Echo, Bass, Treble Audio Configuration Controls
- Includes Power Cable & AA Batteries
- Ability to be Powered by External Wall Power Adapter
- Perfect for Karaoke, Crowd Control, House Parties
- Lightweight, Portable & Powerful
- Impressive Bass Response
- Convenient Carry Handle

Bluetooth Connectivity:

- Wireless Music Streaming Audio
- Works with All of Your Favorite Devices (Smartphone, Tablet, Computer, Laptop, MP3 Player, etc.)
- Bluetooth Version: 3.0
- Bluetooth Network Name: Pyle Audio
- Bluetooth Wireless Range: 30' ft.

What's in the Box:

- PA Speaker
- Wireless Handheld Microphone
- Beltpack Transmitter
- Headset Microphone
- Lavalier Clip-On Microphone
- (4) x 'AA' Batteries
- Wall Power Cable
- Cigarette Lighter / Vehicle Outlet Power Cable
- Travel / Storage Bag

Technical Specs:

- Battery Operated Mic/BeltPack: Require (2) x 'AA' Batteries (Each)
- MAX Power Output: 60 Watt
- Speaker Impedance: 4 Ohm
- Frequency Response: 25Hz-15kHz
- Maximum USB/SD Flash Memory Support: 32GB
- Digital Audio File Support: MP3
- Power: DC 12V, AC 120V
- Dimensions (L x W x H): 7.2" x 4.3" x 11.6"