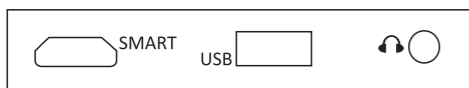


# User's Manual

Congratulations on your new purchase of a Overhead Entertainment System, Please take a moment to fully review this owner's manual thoroughly prior to the initial operation, which will provide you with the best understanding to properly opeate your new Overhead Entertainment System.

## Description of Buttons

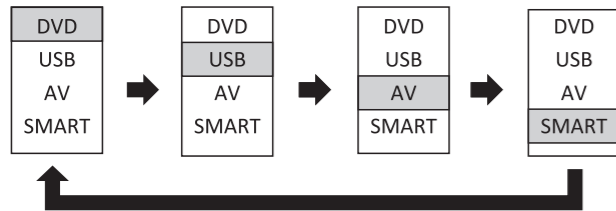
POWER	DIMMER	V.SEL	EXIT	◀	▶	▶▶	■
	DVD	USB	AV	POWER ON/OFF			
	DIMMER ON/OFF						
V.SEL	V.SEL MODE DISPIAY		V.SEL SCREEN OFF				
EXIT		BACK TO PREVIOUS FOLER					
◀◀	PREV CHAPTER	FILE UP	UP				
▶▶	NEXT CHAPTER	FILE DOWN	DOWN				
▶	PLAY/PAUSE			SELECT			
■ X 1	STOP	STOP					
■ X 2	DVD READY	USB MAIN MENU					



🎧	Wired Earphone Input	USB	USB Slot & Smart Phone Charging
SMART	SMART LINK Input port		

## How to change VIDEO Sources

This unit has 4 different Modes. DVD, USB, AV, SMART



- DVD
  - 1) Press OPEN button on the unit to load DVD or CD disc.
  - 2) Completely close the LCD flip until you hear the sound "Click".
  - 3) DVD or CD disc will be palyng automatically.

- USB
  - 1) Put USB Memory on the slot located on right bottom side. (Inside of foliding flip)
  - 2) Press V.SEL button on the unit or Remote to move cursor to USB on the screen.
  - 3) Select target file using ◀◀ / ▶▶ buttons on the unit or ◀ / ▶ button on the remote.
  - 4) Press "PLAY" button on the unit or remote to play & pause the file.
  - 5) Press "EXIT" button on the unit or remote to move to previous folder.

- AV
  - 1) AV input locate on the Side Panel (Left side of the unit)
  - 2) You can simply connect Portable or Handheld devices to this front AV input

- SMART
  - 1) Please connect SMART LINK cable from external unit to Overhed's SMART input port.
  - 2) Please change Video mode to SMART
  - 3) Operate External device (especially video). Same picture as external device will be shown on the Overhed screen

## Description of Remote Control



1	POWER	Power ON/OFF
2	MENU	Memu Display ON/OFF
3	ASPECT	4:3,16:9 changes
4	VSEL	Video Mode Selection
5	DIMMER	Dimmer ON/OFF
6	SEARCH	Search Target Position on the DVD or Media File
7	VOL-	Volume Down
8	VOL+	Volume Up
9	MUTE	Mute ON/OFF
10	UP	Cursor UP
11	LEFT	Cursor Left
12	RIGHT	Cursor Right
13	DOWN	Cursor Down
14	EXIT	Exit from Folder or Menu
15	ENTER	Function Select
16	▶	Play or Pause
17	■	Stop
18	SET-UP	Set-up Menu Display and Exit
19	INFO	Information of current playing file or Disc
20	REPEAT	Repeat playing of currently selected file
21	◀◀	Fast Forward (X2,X4,X8,X16)
22	▶▶	Rewind (X2,X4,X8,X16)
23	◀◀	Previous Chaper
24	▶▶	Next Chaper
25	1~0 keys	Number keys
26	ZOOM	X2,X3,X4 times ZOOM up,1/2,1/3,1/4 times ZOOM Down
27	ANGLE	Angle adjust of picture (Only selected file or Disc)
28	DVD TITLE	Move to DVD Title Menu
29	DVD ROOT	Move to DVD Root Menu
30	SUB-TITLE	SUB-TITLE Selection
31	AUDIO	Change to Audio Mode

## MENU

PICTURE	Picture Mode Standard
	Color Temperature
	Aspect Ratio
	Noise Reduction

Default picture Mode is, "Picture Mode Standard" also, you can change the picture mode to

Mild
User
Dynamic

PICTURE	Picture Mode
	Color Temperature Medium
	Aspect Ratio
	Noise Reduction

Default Color Temperature is, "Color Temperature Medium" also, you can change the Color Temperature to

Warm
User
Cool

PICTURE	Picture Mode
	Color Temperature Medium
	Aspect Ratio 16:9
	Noise Reduction

Default Aspect Ratio is, "16:9" also, you can change the Aspect Ratio to

Auto
16:9

PICTURE	Picture Mode
	Color Temperature Medium
	Aspect Ratio 16:9
	Noise Reduction Middle

Default Noise Reduction is, "Middle" also, you can change the Aspect Ratio to

Off
Low
High

SOUND	Sound Mode Standard
	Blanace
	Surround Sound
	EQ

Default Sound Mode is, "Standard" also, you can change the Sound Mode to

Music
Movie
Sports
User

SOUND	Sound Mode
	Blanace 0
	Surround Sound
	EQ

Default Balance is, "0" also, you can change the Balance to

-50 ~ +50
-----------

SOUND	Sound Mode
	Blanace
	Surround Sound Off
	EQ

Default Surround Sound is "Off" also, you can change the Surround Sound to

Surround
----------

SOUND	Sound Mode
	Blanace
	Surround Sound
	EQ

Default EQ Value is "50" also, you can change the Value level from 0 ~ 100

120Hz	0~100
500Hz	0~100
1.5KHz	0~100
5KHz	0~100
10KHz	0~100

OPTION	OSD Language English
	Restore Factory Default
	Blending
	Osd Duration Off
	IR On
	FM TX Off

Default OSD Language is "English" also, you can change the OSD Language to

Spanish
Portugues
French
Chinese
Russian

Press "Yes" on Restore Factory Default if you want to go back to Factory Setting

OPTION	OSD Language
	Restore Factory Default
	Blending
	Osd Duration Off
	IR On
	FM TX Off

OPTION	OSD Language
	Restore Factory Default
	Blending Low
	Osd Duration Off
	IR On
	FM TX Off

Default Blending is "Low" also, you can change the OSD Language to

Middle
High
Off

OPTION	OSD Language
	Restore Factory Default
	Blending
	Osd Duration Off
	IR On
	FM TX Off

Default Osd Duration is "Off" also, you can change the OSD Language to

5 Sec
10 Sec
15 Sec

OPTION	OSD Language
	Restore Factory Default
	Blending
	Osd Duration Off
	IR On
	FM TX Off

Default IR is "On" also, you can change the IR to

Off
-----

OPTION	OSD Language
	Restore Factory Default
	Blending
	Osd Duration Off
	IR On
	FM TX Off

Default FM TX "Off" also, you can change the FM TX to

FM TX 76.0 MHz ~ FM TX 108.0 MHz
----------------------------------

## DVD / Set-up

SET-UP page is consist with 4 different settings. It's General Set up page, Audio Set up page, Video Set up page and Preference page

\* Preference page only able to OPEN when DVD is completely "STOP" or "No Disc" position When DVD is playing or only temporary stop, "Preference page" will not able to reach.

Please press "STOP" 2 times to make Disc completely stop or OPEN Monitor flip to reach "Preference page"

1. General Set up Page  
Please use ◀, ▶, ▼, ▲ buttons and ENTER button to go inside of detail MENU and exit from detail menu

MENU	Detail Selection	Default Setting
TV Display	Select Normal/PS,Normal LB or Wide	Normal/LB/Wide
Angle Mark	Select On or Off	ON
OSD Language	Select one Language.8Languages are available English, Chimese,French,German,Italian,Spanish,Portuguese and Russian.	English
Caption	Select On or Off	ON
Screen Saver	Select On or Off	ON
Last Memory	Select On or Off	ON

## 2. Audio Set up Page

MENU	Detail Selection	Default Setting
Speaker Set up	Select LT/RT or Stereo	Stereo

## 3. Video Set up Page

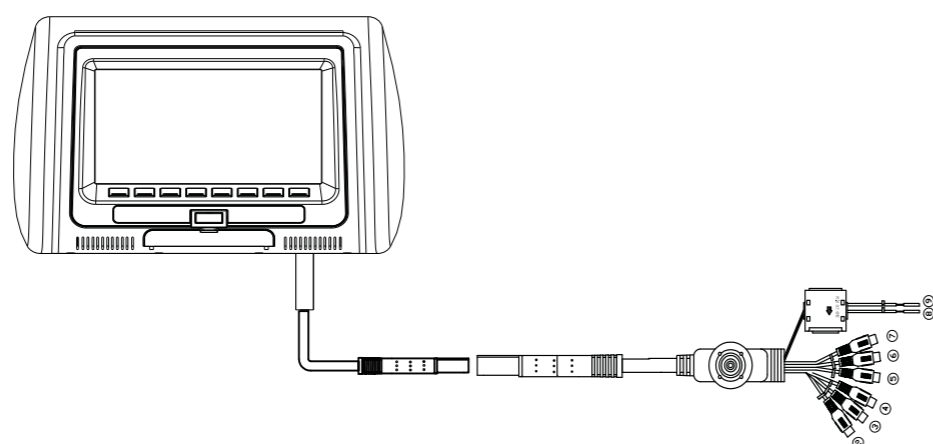
MENU	Detail Selection	Default Setting
Brightness	-16~+16	00
Contrast	-16~+16	00
Hue	-9~+9	00
Saturation	-9~+9	00

## 4. Preference Set up Page

MENU	Detail Selection	Default Setting
TV Dype	Select PAL TV,Multi, NT SCTV	Multi
Audio	Select Audio Langage from English,French,Spanish,Romania or Others	English
Subtitle	Select Audio Language from English French,Spanish,Romania or OFF	English
Disc MENU	Select Audio Language from English French,Spanish,Romania or Others	English
Parental	Select one from KID SAF/G/PG/PG13/PGR/R/Nc17/	ADULT
Pass Word	Password ON/OFF SelectionS Password Change	ON
Default	RESET	Default is 8888 Press ENTER to RESET

## Wiring Diagram

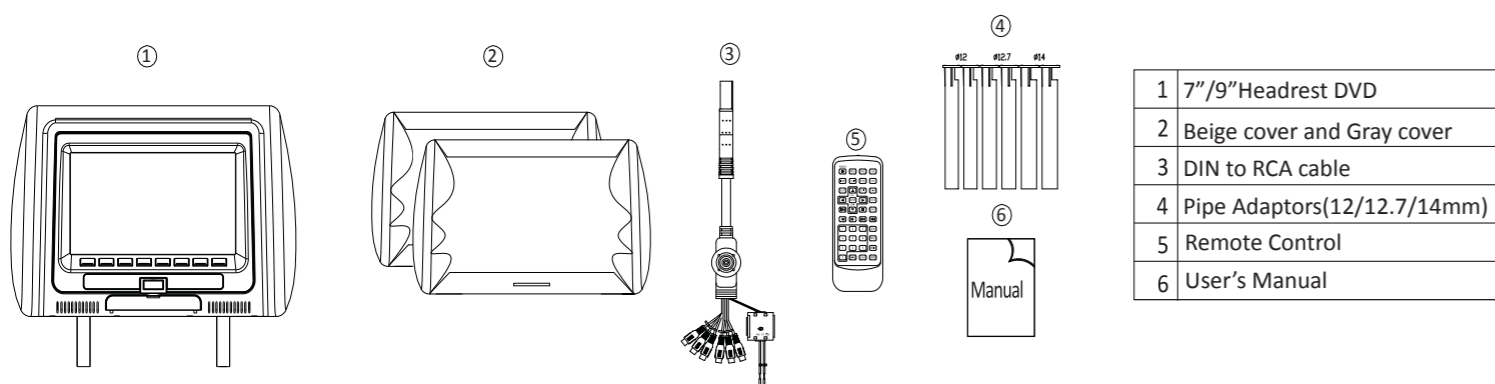
1	AV Video In
2	AV Audio L In
3	AV Audio R In
4	Vieo Out
5	Audio L Out
6	Audio R Out
7	ACC
8	Ground



## General Specifications

- 9" Wide High Resolution, Low Reflection Digital TFT-LCD Screen
- 7" Wide High Resolution, Low Reflection Digital TFT-LCD Screen
- 800 x RGB x 480 Resolution, Ultra Bright LED Back Lighting
- PAL/NTSC Auto Picture switching
- Car-Spec Disc Transport for Extreme High-temperature exposure
- Multimedia Disc Play-back
- USB Play-back (Full-HD 1080p Supports) from Front Panel
- High Capacity HDD Play-back (Supports Full-HD 1080p) Interface Ready
- Smart Input from Front Panel
- 1 A/V(CVBS) Input
- Wired Headphone Output from Front Panel
- Built-in Dual Channel Wireless IR Transmitter
- Built-in 300-Channel FM Transmitter
- Built-in Poly Switch for Reverse-voltage Protection
- Blue LED Button illumination
- Full Function Remote Control Included
- Pole Diameter 10mm with 12/12.7/14mm Pole Adaptors Included
- Adjustable Pole Width 110mm ~ 210mm
- Easy to Exchange Headrest Skins
- 3 Different Color Headrest Skins are Included (Beige/Black/Gray)
- 12V DC Operation (9V ~ 16V)
- Dimension : 295mm(W) X 205mm(H) X 128mm(D)
- Dimension : 255mm(W) X 180mm(H) X 135mm(D)

## Materials On The Box



1	7"/9"Headrest DVD
2	Beige cover and Gray cover
3	DIN to RCA cable
4	Pipe Adaptors(12/12.7/14mm)
5	Remote Control
6	User's Manual

## Important Safety Instructions

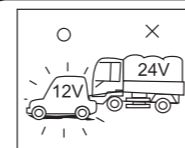
**CAUTION** PLEASE READ AND OBSERVE ALL WARNINGS AND INSTRUCTIONS IN THIS OWNER'S MANUAL AND THOSE MARKED ON THE UNIT. RETAIN THIS BOOKLET FOR FUTURE REFERENCE.

This set has been designed and manufactured to assure personal safety. Improper use can result in electric shock or fire hazard. The safeguards incorporated in this unit will protect you if you observe the following procedures for installation, use and servicing. This unit is fully transistorized and does not contain any parts that can be repaired by the user.

### WARNING



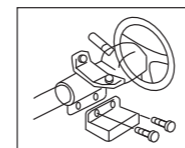
DO NOT attempt to operate if picture fails or no sound is heard. Stop using the unit and turn it off immediately if there is any smoke or burning smell. If unit is damaged, it could cause fire or electrical shock.



This product is designed for DC 12V. It is recommended to check with a trained "Authorized Dealer" for using this unit in a RV, truck or bus application.

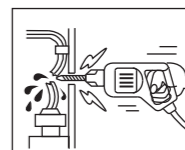


DO NOT install unit where it may obstruct driver's sight or cause possible injury to passengers. DO NOT allow installation to interfere with normal vehicle operations. Wiring and installation should not interfere with the brake pedal, steering wheel or transmission shift lever.



DO NOT remove any screws or hardware from vehicle to install products.

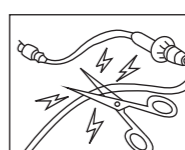
### WARNING



Inspect any vehicle areas before drilling any holes for mounting or wiring of unit. Make sure to check behind installation area to prevent damaging any existing vehicle wiring or other connections. Failure to do so could result in vehicle malfunction or impaired vehicle operation.



All wiring must be routed safely and should not distract the driver's attention during normal operating conditions. DO NOT allow wiring to interfere with operation of the vehicle's brake pedal, shift lever or steering wheel.



DO NOT cut or modify any DIN cables with fuse built-in. This could render such protective circuit inactive and potentially result in permanent damage to the unit or vehicle. Make sure both DIN cable and other wiring is not run where it may be cut or damaged.



The slots and openings in the unit is provided for necessary ventilation. These must not be blocked to ensure reliable operation.

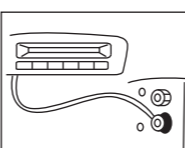
## Mobile Link Vision



Wide Smart-Link Rainbow Headrest Monitor Series  
7"/9" Wide Smart-Link Rainbow Headrest Pillow Monitor  
with Multimedia Disc & Full-HD 1080p Digital Media Player,

## Operating Instruction

### CAUTION



For the best results, follow wiring diagram for products a shown in the manual. Do not place unit on uneven or unstable surfaces, avoid dusty areas and unsealed doors, or openings where water may be splashed.



DO NOT watch the unit while driving. Distracting the driver from proper operation of the vehicle can result in possible accident or injury. Proper installation allow the driver to only watch TV when the vehicle is stopped and the parking brake is applied.

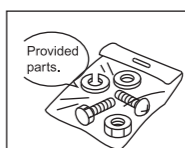


DO NOT disassemble or modify the product as it may cause accident, fire or electrical shock.

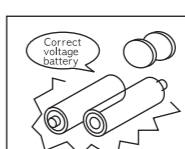


Set the volume to a moderate level, which will not prevent your hearing outside noises such as emergency vehicles.

### CAUTION



Use provided parts. Over-sized hardware may cause an electrical short or result in product not being mounted securely.



Use correct voltage batteries only. Make sure to insert batteries observing correct polarity. Using old and new batteries is not recommended. Keep small objects such as batteries out of the reach of children. Swallowing them may result in serious injury.



Keep the remote control in safe place when not in use to insure that the remote control dose not interfere with the vehicle operation if it is dropped or shifts while driving.



DO NOT Install antennas where they could cause unexpected accident or injury to pedestrians.