

Starfrit



**ELECTRIC DUAL-SIDED HOT POT
COOKWARE**

**MARMITE ÉLECTRIQUE HOT POT
AVEC DIVISEUR**

**MARMITA ELÉCTRICA PARA FONDUE
CON DIVISOR**

**INSTRUCTIONS FOR USE AND CARE
INSTRUCTIONS POUR L'USAGE ET L'ENTRETIEN
INSTRUCCIONES DE USO Y MANTENIMIENTO**

**P.2
P.11
P.20**

OPERATING AND SAFETY INSTRUCTIONS

Item no.	Voltage (V)	Wattage (W)	Frequency (Hz)
024425	120	1200	60

IMPORTANT SAFEGUARDS

READ THE INSTRUCTIONS BEFORE USE

WARNING: To reduce the risk of fire, electrical shock, serious personal injury and/or property damage:

- A. Do not touch hot surfaces. Always use the lid handle to lift the cover while it is in use. Use protective oven mitts or gloves to avoid burns or serious personal injury.
- B. To protect against electric shock, do not immerse the temperature control dial, power cord, plug or product in water or expose to other liquids.
- C. Do not use appliance unless cool touch base and dual-sided hot pot are securely assembled and placed on flat surface.
- D. Keep the product out of the reach of children and pets. This product is not intended for use by children. Close adult supervision is necessary when any appliance is used near children.
- E. Unplug appliance from electrical outlet before cleaning and when not in use. Allow to cool down completely before assembling, disassembling, relocating, or cleaning the appliance.
- F. Do not operate the product if it has a damaged power cord or plug, or after the appliance malfunctions or has been damaged in any manner. Do not attempt to examine or repair this product yourself. Please contact to the customer service adress provided in this user manual.
- G. Do not leave the product unattended while it is in use. Always unplug the product from the electrical outlet when not in use.
- H. Use extreme caution when moving an appliance containing hot broth or any other hot liquids.
- I. Always attach the temperature control dial to the appliance first, then plug cord into the wall outlet. To disconnect, switch control to "OFF", remove plug from the outlet, then remove temperature control dial from the appliance. Pull directly on the plug – do not pull on the power cord.
- J. Take proper precautions to prevent burns, fire, or personal or property damage as this appliance generates heat and steam during use.

- K. Do not plug or unplug the product into/from the electrical outlet with a wet hand.
- L. Use the product in a well-ventilated area.
- M. Keep the product away from curtains, wall coverings, clothing, dish towels, or other flammable materials.
- N. Do not use attachments not recommended or sold by the product manufacturer.
- O. This product is intended for indoor, non-commercial use in cooking or heating food items for human consumption. Do not use outdoors or for any other purpose.
- P. Do not allow the power cord to hang (e.g., over the edge of a table or counter) or touch hot surfaces.
- Q. Do not place the product on or near a hot gas or electric burner, or in heated oven or microwave oven.
- R. Always place the product on a flat, level, stable surface – it is not recommended to use the appliance on temperature sensitive surfaces.
- S. Use the provided temperature control dial only.
- T. Connect the power plug to an easily accessible outlet so that the dual-sided hot pot can be unplugged immediately in the event of an emergency.
- U. Do not use the appliance with a programmer or timing device that switches it on automatically. The use of such devices is dangerous and can cause a fire risk.
- V. Do not use appliance for anything other than its intended use.
- W. The appliance is not designed to deep fry.

SAVE THESE INSTRUCTIONS FOR FUTURE REFERENCE

GROUNDING PLUG: As a safety feature, this appliance is equipped with a grounded plug, which will only fit into a three-prong outlet. Do not attempt to defeat this safety feature. Improper connection of the grounding conductor may result in the risk of electric shock. Consult a qualified electrician if you are in doubt as to whether the outlet is properly grounded.

SPECIAL INSTRUCTIONS: A short power supply cord is provided to reduce the risk of becoming entangled in or tripping over a longer cord.

AN EXTENSION CORD MAY BE USED IF CARE IS EXERCISED IN THEIR USE:

- Minimize the risk of overheating by using the shortest UL or ETL listed cord possible.
- The marked electrical rating must be at least as great as that of the product.
- Never use a single extension cord to operate more than one appliance.

- If the product is of the grounding type, the extension cord must be a grounding-type 3-wire cord.
- Arrange the longer cord so that it will not drape over a countertop or tabletop where it can be tripped over, snagged, or pulled on unintentionally (especially by children).

DO NOT alter the plug. DO NOT attempt to defeat the safety purpose of the polarized plug.

BEFORE FIRST USE

Read the instructions before first use

WARNING: Do not touch hot surfaces. Always use the lid handle to lift the cover while it is in use. Use protective oven mitts or gloves to avoid burns or serious personal injury.

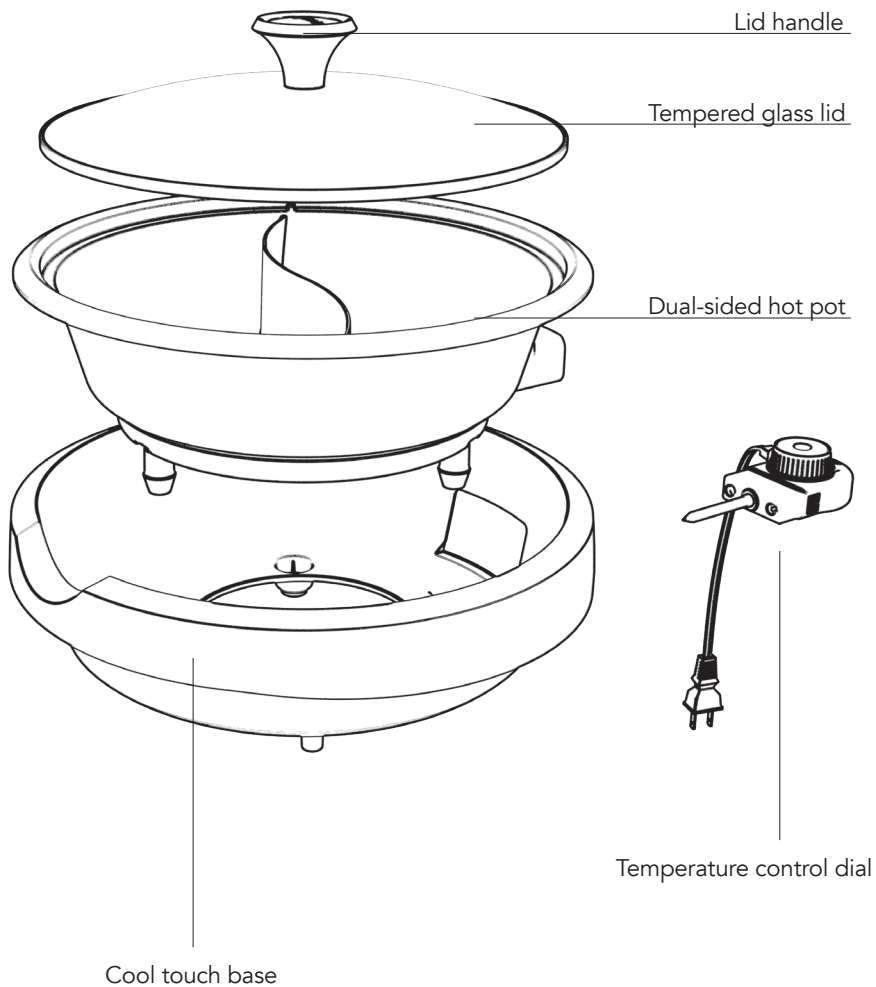
- When using for the first time, remove all packaging materials and unwind the power cord from the appliance.
- Thoroughly clean the dual-sided hot pot and tempered glass lid with a hot, soapy cloth/sponge, ensuring that water or soap does not enter the socket. The cord plug and temperature control dial are not dishwasher safe and cannot be immersed in water at any time.
- Rinse with hot water and thoroughly dry.
- Ensure the socket and electrical pins are completely dry before using.

TO ASSEMBLE

CAUTION: Ensure the temperature control dial is set to "OFF", the power cord is unplugged from the electrical outlet, and the product has thoroughly cooled before attaching or detaching the temperature control dial. Do not use appliance without the cool touch base well placed and attached.

1. Locate the lid handle bag. To assemble the lid handle used a Philips-head screwdriver.
2. Attach the lid handle to the tempered glass lid by aligning the hole in the lid handle with the hole in the tempered glass lid, and then secure with bolt the silicone washer and the metal washer together. NOTE: Do not over-tighten the bolt.
3. Place the dual-sided hot pot inside the cool touch base. **NOTE:** Make sure the dual-sided hot pot and the cool touch base are well secure and properly placed.
4. Plug the temperature control dial probe into the dual-sided hot pot.

WARNING: Ensure the electric dual-sided hot pot is unplugged from the electrical outlet and allow it to cool before handling or cleaning it.



TO USE

NOTE: Never use metal utensils such as forks, knives, mashers, beaters, or food choppers with this product, as they will scratch the non-stick surface. Only use plastic, rubber, wooden, or silicone cooking utensils.

1. Place the cool touch base on a heat-resistant countertop or table in a well-ventilated area.

2. Place the dual-sided hot pot inside the cool touch base.
NOTE: Make sure the dual-sided hot pot and the cool touch base are well secure and properly placed.
3. Attach the temperature control dial to the socket by aligning the electrical pins in the socket with the electrical pinholes in the temperature control dial, and then slide the dial into position on the base.
4. Pour the broth inside the dual-sided hot pot. Place the tempered glass lid on top of the dual-sided hot pot.
CAUTION: To avoid any spillage or damage, never overfill the dual-sided hot pot.
NOTE: The broth may evaporate during the meal, add broth as needed.
5. Plug the power cord into a standard 120-volt AC electrical outlet.
6. Adjust the temperature control dial to the desired cooking temperature. The LED indicator will illuminate, indicating the product is heating.
NOTE: The LED indicator light may go out and back on during the cooking, it is normal. This is to control the temperature fluctuation and keep it stable.
7. When the required temperature has been reached, spear the ingredient and gently dip in the broth of your choice.
NOTE: Cooking time may vary from type of food that you cook. Allow enough time to cook food in each broth.
8. Once cooking is complete, set the temperature control dial to the "OFF" position and then unplug the power cord from the electrical outlet.
9. To detach the temperature control dial, firmly pull away from the base.
NOTICE: Do not cook foods at a higher temperature than necessary, as cooking at high temperatures may cause discoloration or shorten the life of the non-stick surface.
NOTE: Due to the initial heating of the materials used in the manufacturing of the product, some light smoke/vapors may be released when used initially. This is normal.
WARNING: Always unplug the product when not in use or when it will be left unattended.
CAUTION: Use extreme caution when moving/handling the product when it is hot.

CLEANING & CARE

WARNING: Ensure that the appliance is completely cooled before cleaning. Remove the temperature control dial from the socket before cleaning the product.

1. Drain excess liquid or wipe the interior of the dual-sided hot pot surface of the base with a paper towel.
2. Thoroughly wipe the tempered glass lid and dual-sided hot pot of the product with a hot, soapy cloth/sponge, ensuring that water or soap does not enter the socket.
CAUTION: After use, do not pour cold water onto the product, as the sudden temperature change may damage the product or create a burn hazard.
NOTE: Do not place the dual-sided hot pot, cool touch base or temperature control dial in a dishwasher.
NOTE: Do not use bleach or abrasive cleansers/scouring pads to clean the product, as they may damage the non-stick finish.
3. Rinse with hot water and thoroughly dry.
4. Ensure the socket and electrical pins are completely dry before storing or resuming use.
5. If cleaning the temperature control dial is necessary, wipe with a soft, damp cloth sponge and dry thoroughly. **NOTE:** Do not immerse in water or place temperature control dial in a dishwasher.
6. Store the product in a cool, dry place.

PROBLEM	POTENTIAL CAUSES	SOLUTIONS
The electric dual-sided hot pot will not turn on and begin heating.	The temperature control dial probe is not securely connected to dual-sided hot pot.	Make sure the temperature control dial probe is pushed firmly into the port on the cool touch base. If the problem persists, please contact Starfrit customer Starfrit.com/en/contact-us

ASIAN RED CURRY BROTH

Ingredients

2 tsp	vegetable oil
1	large sweet onion thinly sliced
8 cups	Beef Stock (2 containers)
¼ cup	Thai Red Curry Paste
1 tbsp	soy sauce
1 tbsp	brown sugar
1 tbsp	Garlic Powder
1 tbsp	grounded Ginger
2 tbsp	lime juice



In a large 6- quart stockpot

For the broth, heat vegetable oil in 6-quart stockpot over medium-high heat. Add onion, cook and stir until tender. Stir in stock, curry paste, soy sauce, brown sugar, garlic powder and ginger. Bring to boil. Reduce heat to low; cover and simmer 20 minutes. Stir lime juice into broth just before serving.

Using dual-sided electric hot pot

To serve; pour 3 cups (750ml) of broth into one half of dual-sided hot pot. Allow guests to cook in broth about 2 to 3 minutes or until desired doneness.

NOTE: do not overfill

ASIAN THAI CURRY BROTH

Ingredients

1 tbsp	olive oil
5	cloves garlic, minced
1 inch	fresh ginger, cut into thick slices
8 cups	Vegetable Stock
3	(15 oz) cans coconut milk
4–6 tbsp	Red Curry Paste, to taste
1 tsp	grounded Ginger
2 tbsp	lime juice



In a large 6- quart stockpot

For the broth, heat vegetable oil in 6-quart stockpot over medium-high heat. Add garlic, ginger and sauté for 1-2 minutes, stirring occasionally, until tender. Add in the vegetable stock and coconut milk, stir to combine. Continue cooking until the broth nearly reaches a simmer. Add in 3 or 4 tablespoons of the curry paste, whisk until it has dissolved. Taste, and you can add more curry pasta or coconut milk if you'd like. Before serving remove the thick ginger slices.

Using dual-sided electric hot pot

To serve; pour 3 cups (750ml) of broth into one half of dual-sided hot pot. Allow guests to cook in broth about 2 to 3 minutes or until desired doneness.

NOTE: do not overfill

SICHUAN BROTH

Ingredients

2 tbsp	olive oil
8 cups	beef/chicken/vegetable stock
4	cloves garlic
3	slices ginger
1	onion thinly sliced
¼ cup	Chinese Shaoxing wine (or dry sherry)
4	bay leaves
1	star anise
2 tbsp	soy sauce
1 tsp	salt
3 tbsp	dried chili peppers flakes
Handful	of whole dried chili peppers
1–2 tsp	cayenne powder (optional)



In a large 6- quart stockpot

For the broth, heat vegetable oil in 6-quart stockpot over medium-high heat. Add garlic, ginger, onion and sauté for 1-2 minutes. Add in the chosen stock (beef/chicken/vegetable), stir to combine. Add the Chinese Shaoxing wine (or dry sherry), bay leaves and the whole star anise.

Continue cooking until the broth nearly reaches a simmer. Add in soy sauce and 3 tablespoons of dried chili pepper flakes, handful of whole dried chili peppers and whisk. Taste; you can add more dried chili or cayenne powder if you'd desired. Before serving remove the spices, garlic and slices

ginger.

Using dual-sided electric hot pot

To serve; pour 3 cups (750ml) of broth into one half of dual-sided hot pot. Allow guests to cook in broth about 2 to 3 minutes or until desired doneness.

NOTE: do not overfill

SUGGESTED INGREDIENTS

Thin shaved beef or lamb
Sliced chicken
Shrimps
Assorted fish balls (available at most Asian grocery stores)
Thin sliced fish fillets (tender white fish like tilapia or sea bass work well for this)
Tofu sheets
Firm tofu (sliced)
Soy puffs (fried tofu puffs)
Straw mushrooms
Shiitake mushrooms
Wood ear mushrooms
Fresh noodles
Glass noodles (mung bean vermicelli)
Prepared frozen dumplings or wontons
Chinese rice cakes
Bok choy (or choy sum)
Green leaf lettuce
Napa cabbage

WARRANTY

1-YEAR LIMITED WARRANTY.

This warranty covers any defects in materials and workmanship for a period of one (1) year from the date of the original purchase. Please retain your original receipt as a proof of the purchase date. Any complaints must be registered within the warranty period. The product will be repaired, replaced (parts including blades or entire appliance) or refunded at our sole discretion. Shipping charges may apply.

This warranty does not cover normal wear of parts or damage resulting from any of the following:

Negligent use or misuse of the product including failure to clean the product regularly, use for commercial purposes, accident, use on improper voltage or current, use contrary to the operating instructions, disassembly, repair or alteration by anyone other than a STARFRIT authorized service agent.

Decisions as to the cause of damage are the responsibility of Starfrit. All decisions will be final.



MODE D'EMPLOI ET CONSIGNES DE SÉCURITÉ

No. article	Tension (V)	Puissance (W)	Fréquence (Hz)
024425	120	1200	60

DIRECTIVES IMPORTANTES

(LIRE LES INSTRUCTIONS AVANT D'UTILISER L'APPAREIL)

AVERTISSEMENT : Veuillez respecter les consignes suivantes pour réduire les risques d'incendie, de décharges électriques, de blessures corporelles sérieuses et de dommages matériels :

- A. Ne pas toucher les surfaces brûlantes à mains nues. Utiliser des mitaines pour le four ou des gants isolants pour éviter les brûlures ou les blessures corporelles sérieuses.
- B. Pour assurer une protection contre les décharges électriques, ne pas immerger le cordon d'alimentation, la fiche ou l'appareil dans l'eau ou dans tout autre liquide.
- C. Ne pas utiliser l'appareil si la base isolante du hot pot avec diviseur ne sont pas bien enclenché ensemble et installer sur une surface plane.
- D. Garder l'appareil hors de la portée des enfants ou des animaux domestiques. Cet appareil ne doit pas être utilisé par des enfants. La surveillance d'un adulte est nécessaire lorsque l'appareil est en fonction en présence d'un enfant.
- E. Débrancher l'appareil de la prise électrique lorsqu'il n'est pas en fonction ou avant de procéder au nettoyage. Laisser l'appareil refroidir avant de l'assembler, de le démonter, de le déplacer ou de le nettoyer.
- F. Ne pas utiliser l'appareil si le cordon électrique ou la prise électrique sont endommagés, si l'appareil a subi une quelconque défaillance ou s'il a été endommagé. Ne pas tenter de réparer l'appareil. Communiquez plutôt avec le service à la clientèle à l'adresse électronique fournie dans ce guide.
- G. Ne jamais laisser l'appareil sans surveillance lorsqu'il est en fonction et toujours le débrancher lorsqu'il ne l'est pas.
- H. Soyez extrêmement prudent lorsque vous déplacez un appareil contenant du bouillon chaud ou tout autre liquide chaud.
- I. Toujours fixer le cadran de contrôle de température à l'appareil, ensuite brancher le cordon d'alimentation dans une prise électrique murale. Pour arrêter l'appareil, mettre le contrôle à «OFF», débrancher le cordon d'alimentation de la prise murale ensuite, retirer le cadran de contrôle de température de l'appareil. Tirer uniquement

sur la fiche électrique – Ne tirer pas sur le cordon d'alimentation.

- J. Prendre les précautions qui s'imposent pour prévenir les brûlures, un incendie, des blessures ou les dommages matériels. Cet appareil génère de la chaleur et de la vapeur pendant son utilisation.
- K. Ne jamais brancher ou débrancher l'appareil de la prise d'alimentation lorsque vous avez les mains mouillées.
- L. Utiliser cet appareil dans un endroit bien aéré.
- M. Ne jamais utiliser l'appareil à proximité de rideaux, de revêtements muraux, de linges à vaisselle, de vêtements ou de tout autre matériau inflammable.
- N. Ne pas utiliser d'accessoires non recommandés par le fabricant ou non vendus par celui-ci avec cet appareil.
- O. Ce produit a été conçu pour un usage domestique uniquement pour cuisiner ou réchauffer. Ne pas utiliser cet appareil à l'extérieur ni à des fins commerciales.
- P. Ne pas laisser pendre le cordon d'alimentation (par exemple d'une table ou d'un comptoir) ou toucher à des surfaces chaudes.
- Q. Ne pas installer l'appareil sur ou à proximité d'un brûleur à gaz ou électrique, ou à l'intérieur d'un four chaud ou un four micro-ondes.
- R. Toujours installer l'appareil sur une surface plane et stable. Il n'est pas recommandé d'utiliser cet appareil sur des surfaces sensibles à la chaleur.
- S. Utiliser le cadran de contrôle de température inclus avec l'appareil uniquement.
- T. Brancher la fiche d'alimentation dans une prise électrique facilement accessible de sorte que l'appareil pourra être rapidement débranché en cas d'urgence.
- U. Ne pas faire fonctionner l'appareil à l'aide d'un dispositif programmable ou d'une minuterie qui met l'appareil en marche automatiquement. L'utilisation de tels dispositifs est dangereuse et peut entraîner des risques d'incendie.
- V. Ne pas utiliser l'appareil à d'autres fins que pour celle qu'il a été conçu.
- W. Cet appareil n'a pas été conçu pour faire de la friture.

VEUILLEZ CONSERVER CE MODE D'EMPLOI POUR RÉFÉRENCE

FICHE DE MISE À LA TERRE : Par mesure de sécurité, cet appareil est doté d'une prise à trois broches reliée à la terre qui ne peut qu'être branchée dans une prise triphasée. Ne jamais modifier la conformation de la fiche. Une mauvaise connexion au conducteur de mise à la terre peut entraîner des risques de décharges électriques. Communiquer avec

un électricien qualifié si vous n'êtes pas certain que la prise est correctement mise à la terre.

RECOMMANDATIONS PARTICULIÈRES : Un cordon d'alimentation court est fourni pour réduire les risques d'emmêlement ou de trébuchement comme pourrait survenir avec un cordon d'alimentation plus long.

UNE RALLONGE ÉLECTRIQUE PEUT ÊTRE UTILISÉE SI SON UTILISATION EST FAITE AVEC PRÉCAUTIONS :

- Pour réduire le risque de surchauffe, utiliser les rallonges les plus courtes homologuées UL ou ETL.
- La puissance électrique indiquée sur la rallonge doit être au moins aussi élevée que la puissance de l'appareil.
- Ne jamais utiliser une seule rallonge pour alimenter plusieurs appareils.
- Si l'appareil en est un de type mise à la terre, le cordon d'alimentation doit être un cordon avec une fiche de mise à la terre à trois broches.
- Ne jamais laisser pendre une rallonge du bord d'un comptoir ou d'une table afin de prévenir les trébuchements et les accrochages ou pour éviter qu'un enfant tire sur la rallonge par accident.
- NE PAS modifier la fiche. NE PAS tenter de contourner le dispositif de sécurité de la fiche polarisée.

AVANT LA PREMIÈRE UTILISATION

Lire les instructions avant d'utiliser l'appareil

ATTENTION : Ne pas toucher aux surfaces chaudes. Toujours utiliser la poignée du couvercle ou de la base isolante pour manipuler l'appareil. Utiliser des mitaines pour le four pour prévenir les brûlures ou blessures sérieuses.

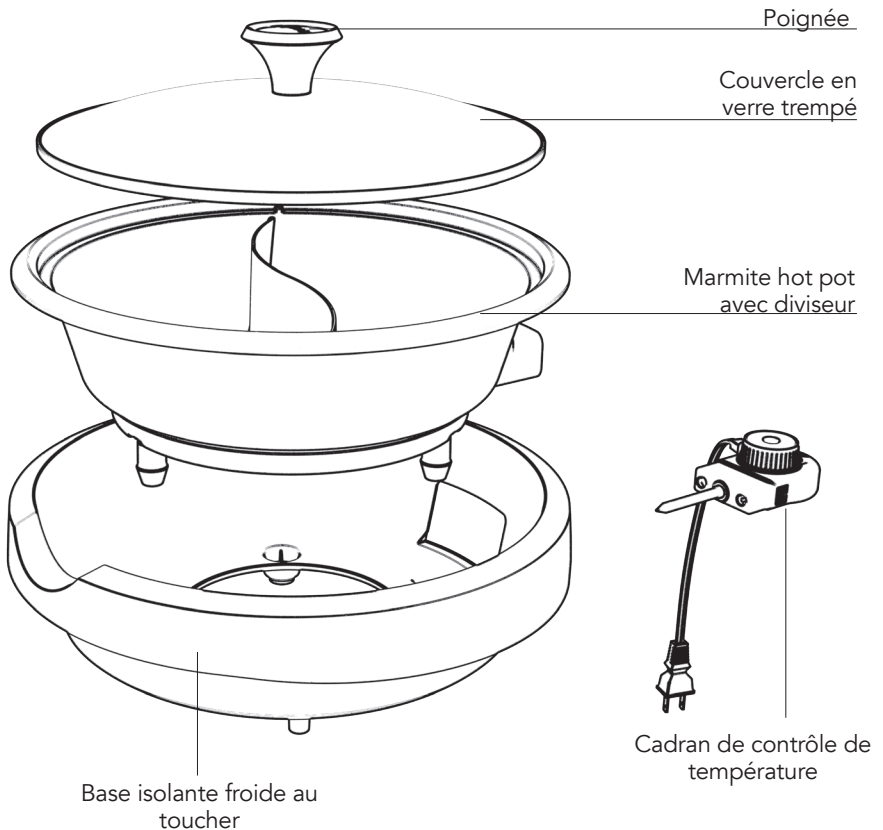
- Lors de la première utilisation, retirer l'appareil et les accessoires de l'emballage et dérouler le cordon d'alimentation.
- Nettoyer complètement la marmite hot pot avec diviseur et le couvercle en verre trempé avec une éponge ou linge avec de l'eau chaude savonneuse, en s'assurant que la prise sur l'appareil demeure complètement sèche. Le cordon d'alimentation et le cadran de contrôle de température ne vont pas au lave-vaisselle et ne doivent en aucun cas être immergés sous l'eau.
- Rincer à l'eau chaude et sécher complètement.
- S'assurer que la prise sur l'appareil et les fiches sont complètement sèches.

ASSEMBLAGE

ATTENTION : S'assurer que le cadran de contrôle de température est à «OFF», que le cordon d'alimentation n'est pas branché dans une prise électrique et que le produit est complètement refroidi avant de fixer ou de retirer le cadran de contrôle de température.

- A. Trouver le sac contenant la poignée du couvercle. Pour fixer la poignée du couvercle, utiliser un tournevis Philips.
- B. Fixer la poignée au couvercle de verre trempé en alignant l'ouverture dans la poignée à l'ouverture dans le couvercle et fixer avec le boulon et la rondelle en silicone et la rondelle en métal. **NOTE** : Ne pas trop serrer le boulon.
- C. Placer la marmite hot pot avec diviseur à l'intérieur de la base isolante **NOTE** : S'assurer que la marmite avec diviseur et la base isolante soient bien enclenchées ensemble.
- D. Brancher le cadran de contrôle de température dans la Marmite hot pot avec diviseur.

ATTENTION : Toujours s'assurer que la marmite hot pot avec diviseur n'est pas branchée dans une prise électrique et laisser refroidir l'appareil avant de le manipuler ou de le nettoyer.



UTILISATION

NOTE : Ne jamais utiliser d'ustensiles en métal tels que fourchettes, couteaux, pileurs, fouets ou hachoirs, car ils pourraient endommager la surface antiadhésive de la marmite hot pot avec diviseur. Utiliser uniquement des ustensiles en plastique, en caoutchouc, en bois ou en silicone dans le récipient à cuisson pour éviter les égratignures. Utiliser les accessoires inclus avec l'appareil.

1. Installer la base isolante sur une surface (comptoir ou table) résistante à la chaleur et dans un endroit bien aéré.
2. Placer la marmite hot pot avec diviseur à l'intérieur de la base isolante.
NOTE : S'assurer que la marmite hot pot avec diviseur et la base isolante soient bien enclenchées ensemble.
3. Insérer le cadran de contrôle de température dans la marmite hot pot avec diviseur en alignant les fiches électriques avec les ouvertures sur le cadran de contrôle de température et le glisser en place.
4. Verser le bouillon dans la marmite hot pot avec diviseur. Placer ensuite le couvercle en verre trempé sur la marmite hot pot avec diviseur.
ATTENTION : Pour prévenir les renversements ou des accidents, ne pas trop remplir la marmite hot pot avec diviseur.
NOTE : Le bouillon pourrait s'évaporer pendant le repas, ajouter du bouillon au besoin.
5. Brancher le cordon d'alimentation dans une prise électrique standard de 120 V.
6. Ajuster le cadran de contrôle de température à la température souhaitée. Un voyant lumineux D.E.L. indiquera que l'étape du chauffage est amorcée.
NOTE : Le voyant lumineux D.E.L. pourrait clignoter pendant la cuisson, ceci est normal. C'est l'appareil qui s'ajuste pour atteindre et maintenir une température stable.
7. Quand la température souhaitée est atteinte, piquer l'ingrédient et le tremper doucement dans le bouillon chaud.
NOTE : Le temps de cuisson peut varier selon l'ingrédient choisi. Laisser suffisamment de temps pour cuire l'ingrédient dans chacun des bouillons.
8. Lorsque la cuisson est terminée, ajuster le cadran de contrôle à la position « OFF » et débrancher le cordon d'alimentation de la prise électrique.
9. Pour retirer le cadran de contrôle de température, tirer fermement sur le cadran.

ATTENTION : Ne pas cuire les aliments à une température trop élevée, car une cuisson à température élevée pourrait causer la décoloration de la surface antiadhésive de l'appareil et également influencer la performance de la surface antiadhésive, notamment sa durée de vie.

NOTE : Lors de la première utilisation, il est possible que certaines composantes de l'appareil produisent une légère fumée ou de la vapeur en chauffant. Ce phénomène est normal et il n'y a pas lieu de s'en inquiéter.

AVERTISSEMENT : Toujours débrancher l'appareil lorsqu'il n'est pas en fonction ou lorsqu'il est laissé sans surveillance.

ATTENTION : Faire preuve d'une grande prudence lors de la manipulation et du déplacement de l'appareil lorsqu'il est chaud.

NETTOYAGE ET ENTRETIEN

ATTENTION: Laisser l'appareil refroidir complètement avant de le nettoyer. Retirer le cadran de contrôle de température de la base isolante avant de procéder au nettoyage.

1. Égoutter l'excédent de liquide ou essuyer l'intérieur de la marmite hot pot avec une serviette de papier.
2. Nettoyer complètement le couvercle en verre trempé et la marmite avec une éponge chaude et savonneuse, et s'assurer qu'il n'y a pas d'eau et de savon qui pénètre dans la prise électrique sur la marmite hot pot avec diviseur.
ATTENTION : Ne jamais verser d'eau froide dans le récipient de cuisson lorsqu'il est encore chaud. De soudains écarts de température pourraient déformer le fond du récipient de métal.
NOTE : Ne pas mettre la marmite hot pot avec diviseur au lave-vaisselle.
NOTE : NE PAS utiliser de tampons à récurer, de produits nettoyants abrasifs ou tout autre objet qui pourrait endommager la surface antiadhésive de l'appareil.
3. Rincer à l'eau chaude et sécher complètement.
4. S'assurer que la prise électrique sur la marmite et les broches sont sèches avant d'entreposer l'appareil.
5. Si le cadran de contrôle de température doit être nettoyé, utiliser une éponge ou un linge doux et humide, ensuite sécher complètement. **NOTE :** Le cadran de contrôle de température ne peut être immergé sous l'eau et ne va pas au lave-vaisselle.
6. Entreposer l'appareil dans un endroit sec et frais.

PROBLÈME	CAUSES POTENTIELLES	SOLUTIONS
La marmite hot pot ne se met pas en marche.	Le cadran de contrôle température n'est pas inséré correctement dans la marmite hot pot avec diviseur.	S'assurer que le cadran de contrôle de température est inséré correctement dans la base isolante de la marmite hot pot. Si le problème persiste, contacter le service à la clientèle de Starfrit. starfrit.com/fr/contactez-nous

BOUILLON ASIATIQUE AU CURRY ROUGE

INGRÉDIENTS

2 c. à thé	d'huile végétale
1	gros oignon sucré tranché mince
2	contenants de bouillon de bœuf (8 tasses)
1/4 tasse	pâte de curry Thaï rouge
1 c. à table	sauce soya
1 c. à table	cassonade
1 c. à table	poudre d'ail
1 c. à thé	gingembre moulu
21 c. à table	jus de lime



Dans une grande casserole de 5,6 L

Pour le bouillon, chauffer l'huile végétale dans la grande casserole à feu moyen élevé. Ajouter l'oignon et cuire en remuant jusqu'à tendreté. Ajouter le bouillon, la pâte de curry, la sauce soya, la cassonade, la poudre d'ail et le gingembre. Porter à ébullition et réduire ensuite pour faire mijoter 20 minutes à basse température. Ajouter le jus de lime au bouillon juste avant de servir.

Avec la marmite hot pot avec diviseur

Pour le repas : verser 3 tasses (750 ml) de bouillon dans une section de la marmite hot pot. Vos invités peuvent alors faire cuire les aliments dans le bouillon pendant 2 ou 3 minutes ou selon leur cuisson préférée.

NOTE : ne pas trop remplir.

BOUILLON AU CURRY THAÏ

INGRÉDIENTS

1 c. à table	d'huile d'olive
5	gousses d'ail, émincées
1 pouce	gingembre frais coupé en tranches épaisses
8 tasses	bouillon de légumes
3 boîtes	lait de coco (445 ml)
4-6 c. à table	pâte à curry rouge au goût
1 c. à thé	gingembre moulu
2 c. à table	jus de lime



Dans une grande casserole de 5,6 L

Pour le bouillon, chauffez l'huile végétale dans la grande casserole à feu moyen élevé. Ajouter l'ail et le gingembre et faire revenir 1 à 2 minutes jusqu'à tendreté en remuant à l'occasion. Ajouter le bouillon de légumes et le lait de coco. Bien mélanger et cuire jusqu'à frémissement. Ajouter 3 ou 4 c. à table de pâte à curry et bien mélanger. Goûter au bouillon et ajouter de la pâte à curry ou du lait de coco selon votre préférence. Retirer les tranches épaisses de gingembre avant de servir.

Avec la marmite hot pot avec diviseur

Pour le repas : verser 3 tasses (750 ml) de bouillon dans une section de la marmite hot pot. Vos invités peuvent alors faire cuire les aliments dans le bouillon pendant 2 ou 3 minutes ou selon leur cuisson préférée.

NOTE : ne pas trop remplir.

BOUILLON SICHUANAIS

INGRÉDIENTS

2 c. à table	d'huile d'olive
8 tasses	bouillon de bœuf/poulet/légumes
4	gousses d'ail
3	tranches de gingembre frais
1	oignon tranché mince
1/4 tasse	vin de riz Shaoxing (ou de xérès sec)
4	feuilles de laurier
1	anis étoilé entier
2 c. à table	sauce soya
1 c. à thé	sel
3 c. à thé	flocons de piments séchés
1-2 c. à thé	poudre de Cayenne (facultatif)
	Poignée de piments chili entier



Dans une grande casserole de 5,6 L

Pour le bouillon, chauffer l'huile végétale dans la grande casserole à feu moyen élevé. Ajouter l'ail, l'oignon et faire revenir 1 à 2 minutes. Ajouter le bouillon (bœuf, poulet ou légumes), bien mélanger. Ajouter le vin de riz Shaoxing (ou le xérès), les feuilles de laurier et l'anis étoilé. Cuire jusqu'à frémissement du bouillon. Ajouter la sauce soya et les flocons de piments séchés, une poignée de piments chili entiers et mélanger. Goûter et ajouter du chili séché ou de la poudre de Cayenne si vous le désirez. Avant de servir, retirer les épices, l'ail et les tranches de gingembre.

Avec la marmite hot pot avec diviseur

Pour le repas : verser 3 tasses (750 ml) de bouillon dans une section de la marmite hot pot. Vos invités peuvent alors faire cuire les aliments dans le bouillon pendant 2 ou 3 minutes ou selon leur cuisson préférée.

NOTE : ne pas trop remplir

INGRÉDIENTS SUGGÉRÉS

Tranches minces de bœuf ou d'agneau

Tranches de poulet

Crevettes

Boulettes de poisson (disponibles dans la plupart des marchés asiatiques)

Tranches minces de filets de poisson (des poissons à chair blanche comme le tilapia ou l'achigan de mer sont recommandés.)

Feuilles de Tofu

Tofu ferme (tranché)

Bouchées de tofu frit

Champignons de paille

Champignons Shiitake

Champignons noir (oreilles de judas)

Nouilles fraîches

Nouilles transparentes

(vermicelles d'haricots Mungo)

Quenelles ou dumplings congelés

Galettes de riz chinoises

Bok choy

Laitues à feuille vertes

Chou Napa

GARANTIE

GARANTIE LIMITÉE D'UN (1) AN.

La garantie couvre tous les défauts de matériaux et de fabrication pour une période d'un (1) an suivant l'achat. Conserver le reçu original comme preuve d'achat. Pour être acceptées, les réclamations doivent être présentées durant la période de la garantie. L'appareil sera réparé, remplacé (en tout ou en partie) ou remboursé à notre entière discrétion. Des frais d'expédition pourraient être exigés. Cette garantie ne couvre pas les conséquences de l'usure normale des pièces ou les dommages dus à l'une ou l'autre des causes suivantes :

La négligence ou l'utilisation abusive de l'appareil, y compris à la suite d'un accident ou par l'omission de nettoyer l'appareil de façon régulière, par son utilisation à des fins commerciales ou lors d'un branchement de l'appareil sur un circuit de tension ou de voltage inapproprié, de même qu'en raison du non-respect du mode d'emploi ou à la suite du démontage, de la réparation ou de l'altération de l'appareil par quiconque autre qu'un représentant autorisé par STARFRIT.

La décision quant à la cause des dommages causés à l'appareil demeure la responsabilité de Starfrit. Toutes les décisions sont finales.



INSTRUCCIONES DE FUNCIONAMIENTO Y SEGURIDAD

No. de artículo	Voltaje (V)	Potencia (W)	Frecuencia (Hz)
024425	120	1200	60

SALVAGUARDIAS IMPORTANTES LEER LAS INSTRUCCIONES ANTES DE SU USO

ADVERTENCIA: Para reducir el riesgo de incendios, choque eléctrico, lesiones personales graves y/o daños materiales:

- A. No tocar las superficies calientes. Usar siempre el pomo de la tapa para levantarla mientras se está utilizando. Usar guantes de horno para evitar quemaduras o lesiones personales graves.
- B. Para evitar choques eléctricos, no sumergir el dial de control de temperatura, cable enchufe o aparato en agua, ni exponerlos a otros líquidos.
- C. No usar el aparato hasta que la base fría al tacto y la fondue con divisor estén firmemente montadas y se encuentren en una superficie plana.
- D. Mantener el producto fuera del alcance de niños y mascotas. Este producto no está diseñado para su uso por parte de niños. Es necesaria una estrecha supervisión por parte de un adulto cuando se usan aparatos cerca de niños.
- E. Desenchufar el aparato de la toma de corriente antes de limpiarlo y mientras no se esté usando. Dejar que se enfríe por completo antes de montarlo, desmontarlo, cambiarlo de sitio o limpiarlo.
- F. No operar el producto si el cable eléctrico o enchufe están dañados, o si el aparato funciona mal o se ha dañado de cualquier modo. No intentar examinar o reparar el aparato. Favor de llamar al número de asistencia al cliente incluido en este manual de usuario.
- G. No dejar el aparato sin supervisión mientras se está utilizando. Desenchufar siempre el aparato de la toma de corriente cuando no se esté utilizando.
- H. Adoptar las precauciones necesarias cuando se mueva un aparato que contenga caldo caliente o cualquier otro líquido caliente.
- I. Fijar siempre primero el dial de control de temperatura en el aparato, y a continuación enchufar el cable eléctrico en la toma de corriente. Para desconectarlo, poner el control en "OFF" (Apagado), retirar el enchufe de la toma eléctrica, y retirar el dial de control de temperatura del aparato. Tirar directamente del enchufe, no del cable eléctrico.

- J. Adoptar las precauciones necesarias para evitar quemaduras, incendios o daños personales o materiales, ya que este aparato genera calor y vapor durante su uso.
- K. No enchufar ni desenchufar el aparato con las manos mojadas.
- L. Usar el producto en un área bien ventilada.
- M. Mantener el producto lejos de cortinas, revestimientos de pared, ropa, paños de cocina u otros materiales inflamables.
- N. No usar accesorios que no estén recomendados o vendidos por el fabricante del producto.
- O. Este producto está diseñado para su uso no comercial en interior, para cocinar o calentar alimentos para consumo humano. No utilizar en el exterior o para cualquier otro propósito.
- P. No dejar que el cable eléctrico cuelgue (p.ej., del borde de una mesa o encimera), ni que entre en contacto con superficies calientes.
- Q. No colocar el aparato sobre o cerca de un quemador o fogón de gas o eléctrico, ni en un horno caliente u horno microondas.
- R. Colocar siempre el aparato sobre una superficie plana, nivelada y estable. No se recomienda utilizar el aparato sobre superficies sensibles al calor.
- S. Usar únicamente el dial de control de temperatura proporcionado.
- T. Conectar el enchufe a una toma de corriente fácilmente accesible de modo que el aparato pueda desenchufarse inmediatamente en caso de emergencia.
- U. No usar el aparato con un programador o temporizador que se encienda automáticamente. El uso de estos dispositivos es peligroso y puede provocar un incendio.
- V. No usar el aparato para otro uso que no sea aquél para el cual fue diseñado.
- W. Este aparato no está diseñado para freír.

GUARDAR ESTAS INSTRUCCIONES PARA CONSULTAS FUTURAS

ENCHUFE POLARIZADO: Este aparato está equipado con un enchufe polarizado (una clavija es más ancha que la otra). Como medida de seguridad para reducir el riesgo de descarga eléctrica, este enchufe encajará únicamente en una toma eléctrica polarizada en una dirección. Si el enchufe no encaja por completo en la toma eléctrica, dar al vuelta al enchufe. Si sigue sin encajar, contactar con un electricista cualificado.

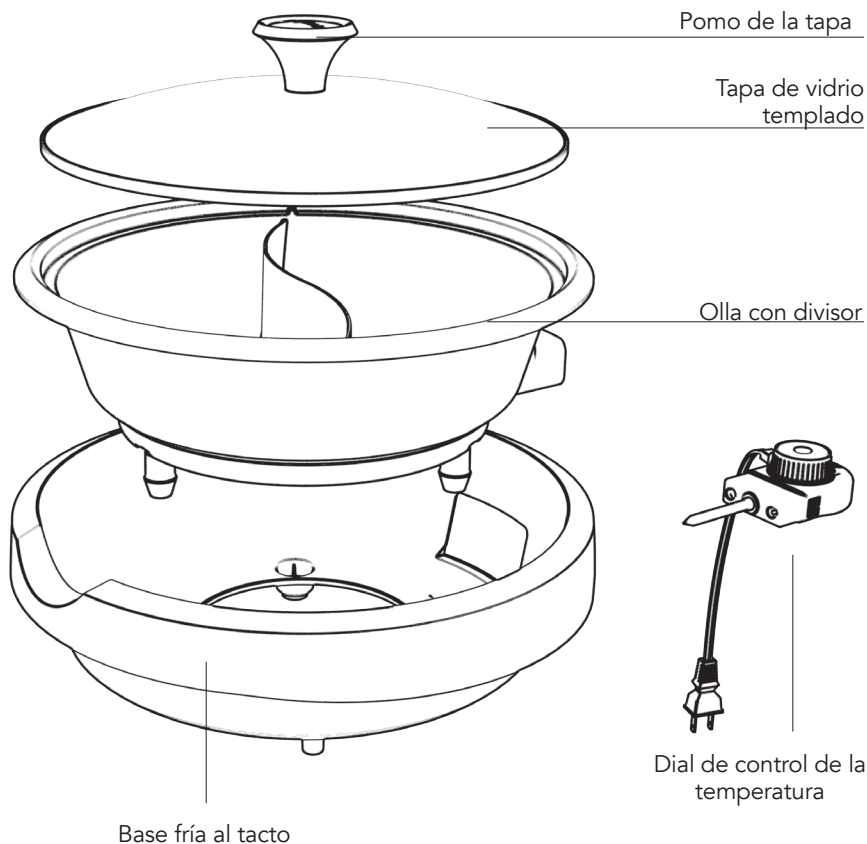
INSTRUCCIONES ESPECIALES: Se proporciona un cable eléctrico corto para reducir el riesgo de que lo agarren los niños, o enredarse o tropezar con un cable más largo

SE PUEDE UTILIZAR UN CABLE ELÉCTRICO MÁS LARGO SI SE ADOPTAN LAS MEDIDAS DE PRECAUCIÓN ADECUADAS:

- Reducir al mínimo el riesgo de sobrecalentamiento usando el cable UL o ETL más corto posible.
- La clasificación eléctrica indicada debe ser igual o mayor que la del aparato.
- No utilizar un único alargador para operar más de un aparato.
- Si el aparato tiene toma a tierra, el cable alargador debe ser de tipo trifilar con toma a tierra.
- Colocar el cable alargador de modo que no cuelgue desde una encimera o mesa de forma que se pueda tropezar o enredarse con él, o tirar del mismo accidentalmente (especialmente por niños).
- NO modificar el enchufe. NO intentar desactivar el mecanismo de seguridad del enchufe polarizado.

ANTES DEL PRIMER USO

- Retirar todo el material de embalaje y desenrollar el cable del aparato.
- Limpiar a fondo la fondue y la tapa con un paño/esponja humedecidos en agua caliente jabonosa, asegurándose de que no entre agua ni jabón en el enchufe. El cable eléctrico y el dial de control de temperatura no se pueden meter en el lavaplatos y no se pueden sumergir en agua.
- Enjuagar con agua caliente y secar por completo.
- Asegurarse de que el enchufe y las clavijas estén completamente secos antes de



usar el aparato.

MONTAJE

ADVERTENCIA: Asegúrese de que el dial de control de temperatura esté en la posición "OFF" (Apagado), el cable esté desenchufado de la toma de corriente, y el aparato se haya enfriado por completo antes de fijar o retirar el dial de control de temperatura. No usar el aparato sin antes haber colocado y fijado bien la base fría al tacto.

- Localizar la bolsa que contiene el pomo de la tapa. Para fijar el pomo de la tapa, usar un desatornillador de tipo Philips.
- Fijar el pomo de la tapa en la tapa de vidrio templado alineando el orificio del pomo con el orificio de la tapa, y asegurándolo con la arandela de silicona y la arandela de metal, juntas. **NOTA:** No apretar demasiado el tornillo
- Colocar la olla con divisor dentro de la base fría al tacto. **NOTA:** Asegurarse de que la olla con divisor y la base fría al tacto estén bien colocadas y fijadas
- Insertar la varilla del dial de control de temperatura en la olla con divisor

ADVERTENCIA: Asegurarse de que la olla con divisor esté desenchufada de la toma de corriente y dejar que se enfríe antes de manipularla o limpiarla.

USO

Leer las instrucciones antes de su uso

ADVERTENCIA: No tocar las superficies calientes. Usar siempre el pomo de la tapa o base fría al tacto. Usar guantes de horno para evitar quemaduras o lesiones personales graves.

NOTA: No usar nunca utensilios de metal tales como tenedores, cuchillos, varillas de mezclado o trituradores de alimentos con este producto, ya que podrían rayar la cobertura antiadherente. Usar únicamente utensilios de cocina de plástico, goma, madera o silicona.

1. Colocar la base fría al tacto sobre una superficie resistente al calor, en un área bien ventilada.
2. Colocar la olla con divisor dentro de la base fría al tacto. **NOTA:** Asegurarse de que la olla con divisor y la base fría al tacto están bien aseguradas y bien colocadas.
3. Fijar el dial de control de temperatura en el enchufe alineando las clavijas eléctricas del enchufe con las clavijas eléctricas del dial de control de temperatura, y a continuación deslizar el dial en la base.
4. Verter el caldo en la olla con divisor. Colocar la tapa de vidrio templado sobre la olla con divisor.
ADVERTENCIA: Para evitar derramamientos o daños, no llenar demasiado la olla.
NOTA: El caldo se puede evaporar durante la comida, agregar caldo según sea necesario.
5. Enchufar el cable eléctrico en una toma de corriente AC de 120 voltios.
6. Ajustar el dial de control de temperatura a la temperatura deseada. Se encenderá el indicador LED, lo que indicará que el aparato se está calentando.
NOTA: El indicador LED se apagará y encenderá durante el proceso de cocción. Esto es normal, ya que así se controla la fluctuación de temperatura y se mantiene estable.
7. Cuando se haya alcanzado la temperatura requerida, perforar el ingrediente con el utensilio y sumergirlo en el caldo de su elección.
NOTA: El tiempo de cocción puede variar dependiendo del tipo de alimento que se esté cocinando. Dejar el suficiente tiempo de cocción para cocinar el alimento en cada caldo.
8. Una vez que el alimento esté cocinado, colocar el dial de control de temperatura en la posición "OFF" (Apagado) y desenchufar el cable eléctrico de la toma de corriente.
9. Para retirar el dial de control de temperatura, tirar firmemente en dirección contraria a la base.
ADVERTENCIA: No cocinar alimentos a una temperatura superior a la necesaria, ya que cocinar a altas temperaturas puede causar decoloración o acortar la vida útil de la superficie antiadherente.
NOTA: Debido al calentamiento inicial de los materiales utilizados en la fabricación del producto, es posible que se emita un ligero humo o vapor durante su primer uso. Es normal.
ADVERTENCIA: Desenchufar siempre el aparato cuando no se esté utilizando o cuando se vaya a dejar sin supervisión.

ADVERTENCIA: Tomar las medidas necesarias al mover/manejar el producto cuando está caliente.

LIMPIEZA Y MANTENIMIENTO

ADVERTENCIA: Asegurarse de que el aparato se ha enfriado por completo antes de limpiarlo. Retirar el dial de control de temperatura de la clavija antes de limpiar el producto.

1. Retirar el exceso de líquido o pasar un papel de cocina por el interior de la olla con divisor.
2. Limpiar a fondo la tapa de vidrio templado y la olla con divisor con un paño/ esponja humedecido en agua caliente jabonosa, asegurándose de que no entre agua ni jabón en el enchufe.
ADVERTENCIA: Tras su uso, no echar agua fría en el aparato, ya que el cambio repentino de temperatura puede dañar el producto o provocar quemaduras.
NOTA: No meter la olla con divisor o el cable eléctrico en el lavaplatos.
NOTA: No usar lejía ni limpiadores abrasivos o estropajos para limpiar el aparato, ya que podrían dañar la superficie antiadherente.
3. Enjuagar con agua caliente y secar por completo.
4. Asegurarse de que el enchufe y las clavija eléctricas están completamente secos antes de guardar el aparato o volver a utilizarlo.
5. Si es necesario limpiar el dial de control de temperatura, limpiarlo con una esponja suave humedecida y secarlo por completo.
NOTA: No sumergir el dial de control en agua ni meterlo en el lavaplatos.
6. Guarde el dispositivo en un lugar fresco y seco.

PROBLEMA	POSIBLES CAUSAS	SOLUCIONES
La fondue china eléctrica con divisor no se enciende ni empieza a calentarse.	La varilla del dial de control de temperatura no está bien conectada a la fondue.	Asegurarse de que la varilla del dial de control de temperatura está insertado hasta el fondo en el puerto situado en la base fría al tacto. Si el problema persiste, favor de contactar con el servicio al cliente de Starfrit.

CALDO DE CURRY ROJO ASIÁTICO

INGREDIENTES

2 cucharaditas	de aceite vegetal
1	cebolla dulce grande, cortada en rodajas finas
2	botes de caldo de res (8 tazas)
1/4	de taza de pasta de curry rojo tailandés
1 cucharada	de salsa de soja
1 cucharada	de azúcar moreno
1 cucharada	de ajo en polvo
1 cucharadita	de jengibre en polvo
2 cucharadas	de jugo de lima



En una marmita grande de 6 cuartos

Para el caldo, calentar el aceite vegetal en la marmita de 6 cuartos a fuego medio-alto. Agregar la cebolla, cocinar y remover hasta que esté blanda. Agregar el caldo, la pasta de curry, la salsa de soja, el azúcar moreno, el ajo en polvo y el jengibre. Reducir el fuego al mínimo, cubrir y cocer a fuego lento durante 20 minutos. Agregar el jugo de lima al caldo justo antes de servirlo.

En la fondue china eléctrica con divisor

Para servir, agregar 3 tazas (750ml) de caldo en una de las partes de la olla. Permitir que los invitados cocinen los ingredientes en el caldo unos 2 o 3 minutos, o hasta alcanzar el punto de cocción deseado.

NOTA: No llenar demasiado.

CALDO ASIÁTICO DE CURRY TAILANDÉS

INGREDIENTES

1	cucharada de aceite de oliva
5	dientes de ajo, picados
8 tazas	de caldo de verduras
3 botes	(de 15 onzas) de leche de coco
4-6 cucharadas	de pasta de curry rojo, al gusto
1 cucharadita	de jengibre en polvo
2 cucharadas	de jugo de lima
1 pulgada	jengibre fresco cortado en rodajas gruesas



En una marmita grande de 6 cuartos

Para el caldo, caliente el aceite de oliva en una marmita de 6 cuartos a fuego medio-alto. Agregar el ajo y el jengibre y rehogar durante 1-2 minutos, removiendo de vez en cuando, hasta que estén blandos. Agregar el caldo vegetal y la leche de coco, removiendo para mezclarlos. Continuar cocinando hasta que el caldo esté a punto de hervir. Añadir 3 o 4 cucharadas de pasta de curry, remover con varillas hasta que se disuelva. Probar y añadir más pasta de curry o leche de coco si se desea. Antes de servir, retirar las rodajas de jengibre.

En la fondue china eléctrica con divisor

Para servir, agregar 3 tazas (750ml) de caldo en una de las partes de la olla. Permitir que los invitados cocinen los ingredientes en el caldo unos 2 o 3 minutos, o hasta alcanzar el punto de cocción deseado.

NOTA: No llenar demasiado.

CALDO SICHUAN

INGREDIENTES

2 cucharadas	de aceite de oliva
8 tazas	de caldo de res/pollo/verduras
4	dientes de ajo
3	rodajas de jengibre
1	cebolla finamente picada
1/4 de taza	de vino chino Shaoxing (o jerez seco)
4	hojas de laurel
1	anís estrellado entero
2 cucharadas	de salsa de soja
1 cucharadita	de sal
3 cucharadas	de copos de chiles secos
1-2 cucharaditas	de cayena en polvo (optativo)
Un manojo de chiles secos enteros	



En una marmita grande de 6 cuartos

Para el caldo, calentar el aceite vegetal en una marmita de 6 cuartos a fuego medio-alto. Agregar el ajo y el jengibre y rehogar durante 1-2 minutos. Agregar el caldo deseado (res/pollo/verduras) y remover para combinarlo. Agregar el vino chino Shaoxing (o jerez seco), las hojas de laurel y el anís estrellado entero. Continuar cocinando hasta que el caldo esté a punto de hervir. Agregar la salsa de soja y 3 cucharadas de copos de chiles secos, un manojo de chiles secos enteros y batir. Probar y agregar más chiles secos o cayena en polvo si se desea. Antes de servir, retirar

las especias y las rodajas de jengibre.

En la fondue china eléctrica con divisor

Para servir, agregar 3 tazas (750ml) de caldo en una de las partes de la olla. Permitir que los invitados cocinen los ingredientes en el caldo unos 2 o 3 minutos, o hasta alcanzar el punto de cocción deseado.

NOTA: No llenar demasiado.

INGREDIENTES SUGERIDOS

Res o cordero en lonchas finas
Lonchas de pollo
Camarones
Albóndigas de pescado (disponibles en la mayoría de tiendas de alimentos asiáticos)
Filetes de pescado finos (los pescados blancos como tilapia o corvina/róbalo dan buenos resultados)
Láminas de tofu
Tofu firme (en rodajas)
Copos de soja inflados (copos inflados de tofu frito)
Setas de arroz (Volvariella volvace)
Hongos Shiitake
Hongos oreja de Judas
Tallarines frescos
Tallarines transparentes (vermicelli de judías mungo)
Albóndigas o wontons congelados
Tortas de arroz chinas
Bok choy (o choy sum)
Lechuga
Col china

GARANTÍA

GARANTÍA LIMITADA DE 1 AÑO.

Esta garantía cubre cualquier defecto en materiales y fabricación durante un periodo de un (1) año a partir de la fecha de compra original. Favor de conservar el comprobante de compra original como prueba de la fecha de compra. Cualquier reclamación deberá ser registrada dentro del periodo de garantía. El aparato será reparado, reemplazado (las piezas, incluyendo las cuchillas, o el aparato en su totalidad) o reembolsado a nuestro único criterio. Puede que apliquen gastos de envío.

Esta garantía no cubre el desgaste normal de las piezas, ni daños que resulten de lo siguiente:

Uso negligente o indebido del aparato, incluyendo no limpiarlo con regularidad, su uso con fines comerciales, accidentes, utilización con voltaje o corriente inadecuados, uso contrario a las instrucciones de uso, desmontaje, reparación o alteración por parte de una persona que no sea un agente de reparaciones autorizado de Starfrit.

Las decisiones respecto a la causa de los daños son la responsabilidad de Starfrit. Todas las decisiones serán finales.



SUBSCRIBE TO THE NEWSLETTER
TO LEARN MORE ABOUT OUR PROMOTIONS!

www. Starfrit.com

INSCRIVEZ-VOUS À L'INFOLETTRE
POUR CONNAÎTRE NOS PROMOTIONS !



www.facebook.com/starfrit

**FOR HOUSEHOLD USE ONLY
POUR UN USAGE DOMESTIQUE SEULEMENT**