



**CYCLOPS**<sup>®</sup>  
GET OUT OF THE DARK.

## Premium LED Spotlight

SPOTLIGHT OWNER'S MANUAL & OPERATING INSTRUCTIONS

MODEL NO: CYC-900HHS-xx



Dry Location  
Use only

**⚠ WARNING**

Read and follow all warnings and instructions in this manual to avoid personal injury or property damage

To avoid potential eye damage, never look straight into the light source when spotlight is turned on! Also, never aim the light straight into the eyes of anyone else!

# IMPORTANT SAFETY WARNINGS



READ AND FOLLOW ALL SAFETY WARNINGS AND INSTRUCTIONS IN THE OWNER'S MANUAL BEFORE OPERATING SPOTLIGHT.

## WARNING

- Never place spotlight face down when light is on or is still hot from recent use. Doing so could burn/ignite surfaces such as seats, carpeting, etc. and cause major property damage. Always turn spotlight off when not in use.
- Always unplug charger from light and power source when not in use.
- To avoid potential eye damage, never look straight into the light source when spotlight is turned on! Also, never aim the light straight into the eyes of anyone else!
- DO NOT touch lens of spotlight when light is on or if it was recently on. The lens will be hot and could cause serious burns.
- DO NOT place spotlight in water. Keep all components dry and out of water at all times. Dry location use only.
- DO NOT allow children to handle or operate this spotlight.
- DO NOT use this product for other than its intended use.
- DO NOT charge or operate in close proximity of combustible or flammable materials.
- DO NOT charge battery in gas tight enclosures.
- DO NOT attempt to charge battery pack using both AC and DC chargers at the same time.
- DO NOT attempt to charge or operate this spotlight if cord, plug, battery, bulb or any part of the spotlight is damaged or corroded.
- DO NOT use an outdoor AC outlet to recharge battery.
- To prevent accidental electrical shock we recommend this product always be charged on a GFCI (Ground Fault Circuit Interrupter) outlet.
- Only use charging devices that are provided with the LED Spotlight or its replacements.
- DO NOT disassemble or tamper with the battery.
- DO NOT dispose of battery in fire as this may result in explosion.

USE CAUTION AND COMMON SENSE WHEN OPERATING YOUR RECHARGEABLE LIGHT.

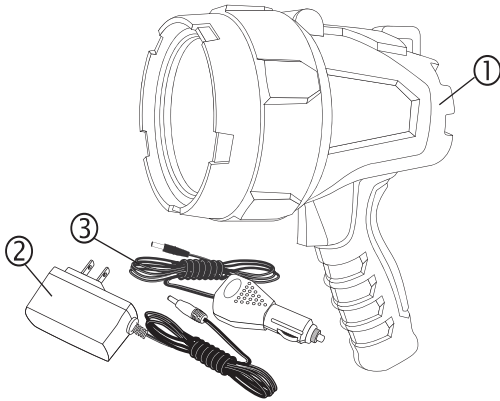
FAILURE TO ADHERE TO THE SAFETY WARNINGS AND GUIDELINES IN THIS MANUAL COULD RESULT IN BODILY INJURY OR PROPERTY DAMAGE.

SAVE THIS MANUAL FOR FUTURE REFERENCE.

# OPERATING INSTRUCTIONS

**⚠** READ AND FOLLOW ALL SAFETY WARNINGS AND INSTRUCTIONS IN THE OWNER'S MANUAL BEFORE OPERATING SPOTLIGHT.

Inspect contents of the box to ensure all parts are included and undamaged.



Follow charging instructions on page 3 of this manual and allow battery to fully charge.

## Part List:

- ① LED Premium Spotlight
  - ② 100~240 Volt AC Charger
  - ③ 12~24 Volt DC Charger
- Owner's Manual

## **⚠** WARNING

- Recharge battery fully before first use
- Do NOT leave battery uncharged for extended period (recharge the battery every 6 months)
- The normal charging time is about 6~8 Hrs (never charge longer than 12Hrs continuously)
- Do NOT attempt to charge battery using both AC and DC chargers at the same time, doing so will damage the battery and charger
- Never dismantle the battery parts

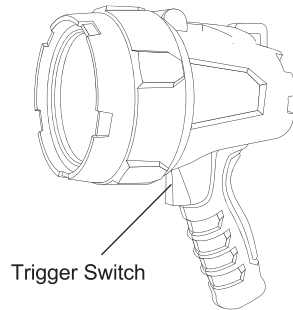
## To Operate

### IMPORTANT:

Make sure the light is OFF. Leaving spotlight ON during charging may cause damage to battery and AC charger.

12~24 volt DC charger operates from a DC receptacle for charging battery.

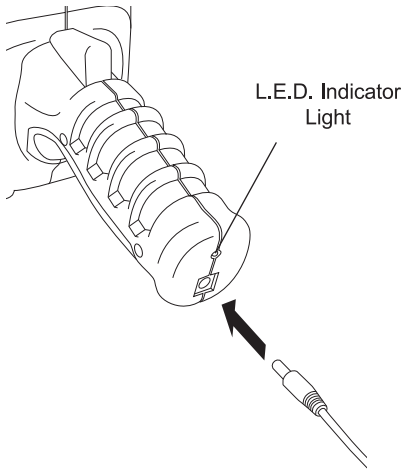
NOTE: To prevent car battery from completely discharging, it is recommended that car engine remain running while in use.



Operating Mode: (Trigger Sequence)

High Beam ⇌ Off ⇌ Low Beam ⇌ Off

## To Charge Spotlight:



Step 1: Make sure light is not ON.

Step 2: Plug the AC charger or DC charger into bottom of spotlight handle.

Note: L.E.D. indicator will turn on when charging from both AC and DC chargers and turn off when it is fully charged.

Always Allow Battery to Fully Charge

Step 4: For DC Charger - Battery charges only while vehicle engine is running.

## To Replace DC Plug Fuse

Step 1: Disconnect spotlight from power source.

Step 2: Unscrew cap of DC plug and pull straight away from fuse.

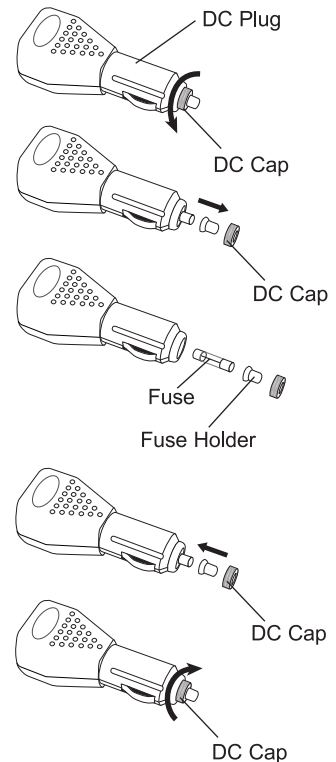
Step 3: Pull fuse holder and fuse out of DC plug. Observe to see if fuse is burned out.

Note: Use a 5A fuse only. Fuse is burned out when fuse element is missing or broken inside glass tube. Replace with new 5A fuse if fuse element is missing or broken.

Step 4: Pull fuse out of fuse holder. Insert new fuse into holder.

Step 5: Insert fuse holder and fuse into lighter plug.

Step 6: Screw cap onto lighter plug.



## To Prevent Damage to Spotlight and Battery:

- Recharge battery fully before first use
- Do not attempt to use spotlight while charging directly from AC outlet. Doing so may cause damage to battery and AC charger.
- 12~24 volt DC charger operates from a 12~24 volt DC receptacle for charging battery while vehicle engine is running.
- Only use charging devices that are provided with the LED Spotlight or its replacements.
- For DC Charger - Battery charges only while vehicle engine is running.
- For AC Charger - Allow battery to fully charge. L.E.D. indicator on spotlight will automatically turn off when battery is fully charged.
- Do not allow battery to completely discharge. A dim light indicates a low battery. Recharge battery as soon as possible after each use.
- Always keep the battery fully charged when not in use.
- For best results, fully charge battery after each use. This will prolong the overall life of the battery.

**IMPORTANT:** Charge battery before storing for extended periods. Battery will keep its charge. A completely discharged battery may not recharge properly.

## WARRANTY

Your Cyclops product is covered by a 90 days Limited warranty on parts and labor from the date of original purchase, and purchases must be made through an authorized dealer. The warranty covers defects in workmanship and material. The warranty does not apply to units, which have been damaged or abused intentionally or unintentionally. A purchase from individuals or unauthorized Internet sites voids the warranty. Tampering with or altering the unit will void the warranty. Any unauthorized service will void warranty. Original sales receipt must be produced for any warranty services and a Return Authorization (RA) number must be obtained from customer service at 877-269-8490 prior to returning product.

## MAINTENANCE

Use only mild soap and damp cloth to clean the outer housing. Never let any liquid get inside the housing; never immerse any part of the spotlight into a liquid.



Contains lithium-ion battery. Battery must be recycled or disposed of properly.

### Environmental Protection

Waste electrical products should not be disposed of with household waste. Please recycle where facility exist. Check with your local authority or retailer for recycling information.



Register your spotlight today, go to [www.cyclopsolutions.com](http://www.cyclopsolutions.com) for complete detail.

## FCC NOTE

This equipment has been tested and found to comply with the limits for a Class B digital device, pursuant to Part 15 of the FCC Rules. These limits are designed to provide reasonable protection against harmful interference in a residential installation. This equipment generates, uses and can radiate radio frequency energy and, if not installed and used in accordance with the instructions, may cause harmful interference to radio communications. However, there is no guarantee that interference will not occur in a particular installation. If this equipment does cause harmful interference to radio or television reception, which can be determined by turning the equipment off and on, the user is encouraged to try to correct the interference by one or more of the following measures:

- Reorient or relocate the receiving antenna.
- Increase the separation between the equipment and receiver.
- Connect the equipment into an outlet on a circuit different from that to which the receiver is connected.
- Consult the dealer or an experienced radio/TV technician for help.

Shielded interference cable must be used with the equipment in order to comply with the limits for a digital device pursuant to Subpart B of Part 15 of FCC Rules. Specifications and designs are subject to change without any notice or obligation on the part of the manufacturer.

Changes or modifications not expressly approved by the party responsible for compliance could void the user's authority to operate this device"

This device complies with part 15 of the FCC Rules. Operation is subject to the following two conditions: (1) This device may not cause harmful interference, and (2) this device must accept any interference received, including interference that may cause undesired operation.

