



## ***REVO 4500 Spotlight***

SPOTLIGHT OWNER'S MANUAL & OPERATING INSTRUCTIONS

MODEL NO: CYC-SPL45X



**⚠ WARNING**

Read and follow all warnings and instructions in this manual to avoid personal injury or property damage

Avoid potential eye damage by never looking straight into spotlight when powered on or aiming the light straight into the eyes of others.

# IMPORTANT SAFETY WARNINGS



READ AND FOLLOW ALL SAFETY WARNINGS AND INSTRUCTIONS IN THE OWNER'S MANUAL BEFORE OPERATING SPOTLIGHT.

## WARNING

- Never place spotlight face down when light is on or is still hot from recent use, doing so could burn/ignite surfaces such as seats, carpeting, etc. and cause major property damage
- Always turn spotlight off when not in use
- Unplug charger from light and power source when not in use
- NEVER look straight into the light source when spotlight is turned on and never aim the light into the eyes of anyone
- The spotlight lens is HOT and may cause serious burn, do NOT touch when spotlight is on and shortly after powered off
- Do NOT allow children to handle or operate this spotlight
- Product should NOT be used for other than its intended use
- Do NOT charge or operate spotlight near combustible or flammable materials
- Battery must NOT be charged in gas tight enclosures
- Do NOT charge battery pack using both AC and DC chargers together, choose one
- If any part of spotlight (cord, plug, battery pack, bulb, etc.) appears damaged or corroded, do NOT charge
- Outdoor AC outlet CANNOT be used to recharge battery pack
- Prevent accidental shock; always charge using Ground Fault Circuit Interrupter (GFCI) outlet
- Only use charging devices included with spotlight or its replacements
- Do NOT disassemble or tamper with battery
- Battery must be disposed of properly, discarding battery in fire may cause an explosion

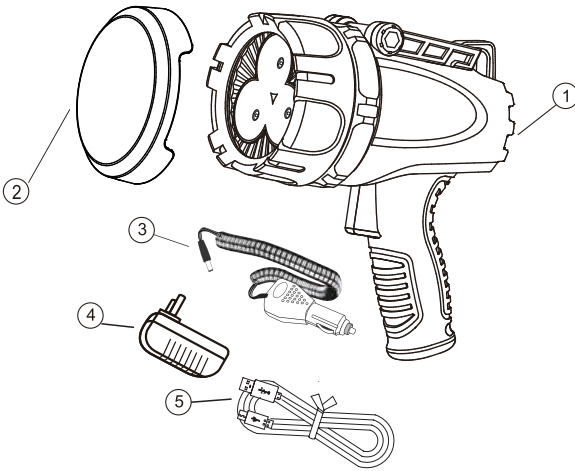
ALWAYS USE CAUTION WHEN OPERATING YOUR RECHARGEABLE SPOTLIGHT

**SAVE THIS MANUAL FOR FUTURE REFERENCE.**

# OPERATING INSTRUCTIONS

**⚠ READ AND FOLLOW ALL SAFETY WARNINGS AND INSTRUCTIONS IN THE OWNER'S MANUAL BEFORE OPERATING SPOTLIGHT.**

Inspect contents of the box to ensure all parts are included and undamaged.



Follow charging instructions on page 3 of this manual and allow battery to fully charge.

## Part List:

- ① Waterproof Rechargeable Spotlight
  - ② Detachable Red Filter Lens
  - ③ 12~24-Volt DC Charger/Adapter (Output: DC 9V 1A)
  - ④ 100~240-Volt AC USB Charger (Output: DC 5V 1A)
  - ⑤ 120cm Micro USB cord
- Owner's Manual

- A fully charged battery will provide approximately:
  - ◆ 1.5 hours of continuous light on high mode
  - ◆ 3.5 hours on low mode
  - ◆ 4.5 hours on S.O.S. mode
- Do not allow battery to completely discharge
- Turn spotlight OFF and recharge battery as soon as possible

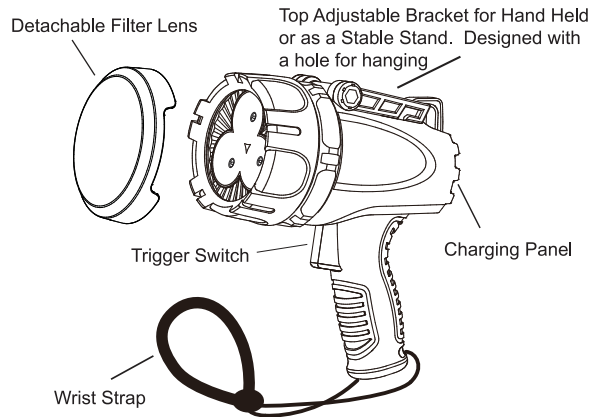
## To Operate

### IMPORTANT:

Make sure the light is OFF. Leaving spotlight ON during charging may cause damage to battery and AC charger.

12-24 volt DC charger operates from a DC receptacle for charging battery or continuous corded operation while vehicle engine is running.

**NOTE:** To prevent car battery from completely discharging, it is recommended that car engine remain running while in use.



Press trigger switch in handle once to turn spotlight ON. Press switch again to cycle through High, Low, and S.O.S. modes. Press trigger switch again to turn spotlight OFF.

Designed with IC chip controlling the battery saver and safe mode which automatically reduces brightness and temperature after 3~5 minutes or when light temperature reach 56°C to extend run time and ensure safety.

## To Charge Spotlight:

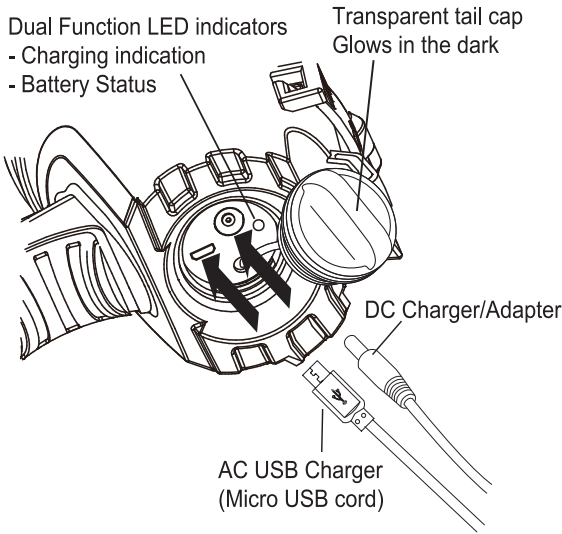
Step 1: Open transparent tail cap to charge the battery

Step 2: Plug the AC USB Charger(Micro USB cord) or the designated DC Charger/adaptor into corresponding charging port

Step 3: LED indicator light will turn red when battery is charging

**Note:** Make sure spotlight is off while charging with AC USB charger (Micro USB cord)

Spotlight can operate while charging with designated DC charger/adaptor but spotlight must be OFF while charging with AC USB charger (Micro USB cord)



### WARNING

- Recharge battery fully before first use
- Do NOT leave battery uncharged for extended period (recharge the battery every 6 months)
- The normal charging time is about 5~6 Hrs by AC USB home adapter or about 2~3 Hrs by DC 12~24V car charger (never charge longer than 12Hrs continuously)
- Do NOT attempt to charge battery using both AC and DC chargers at the same time, doing so will damage the battery and charger
- When the spotlight is fully charged, lock the cap in place
- Never dismantle the battery parts

## Dual Function LED indicators:

Red LED indicator on spotlight will automatically turn green when battery is fully charged.

LED indicator on spotlight stays red or alternate flashing between green and red LED while in continuous corded operation.

**Note:** Always allow battery to fully charge. LED indicator on the designated DC charger/adaptor stays red while in use.

### Battery indicator:

- Solid Green = Battery is charged
- Solid Red = Battery is running low
- Red Flashing = Light will turn off automatically very soon

For best results leave Spotlight on trickle charge for an extra 1-2 hour after green indicator have turned on.

## To Replace DC Plug Fuse

Step 1: Disconnect spotlight from power source

Step 2: Unscrew cap of DC plug and pull out the fuse

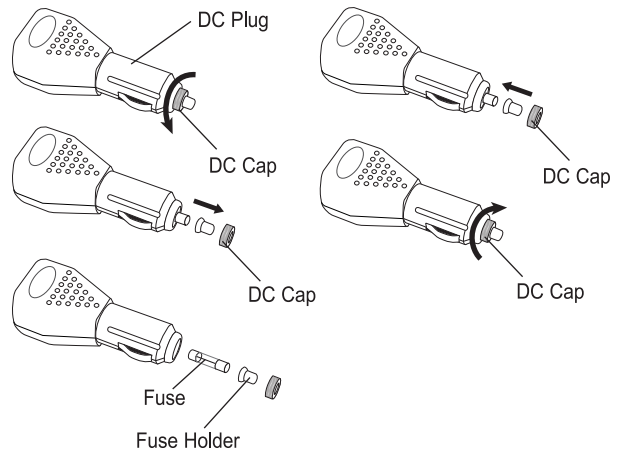
Step 3: Pull fuse holder and fuse out of DC plug and observe to see if fuse is burned out

**Note:** Replace with new 5A fuse only if fuse element is missing or broken

Step 4: Pull fuse out of fuse holder and insert new fuse into holder

Step 5: Insert fuse holder and fuse into DC plug

Step 6: Screw cap onto lighter plug.



## To Prevent Damage to Spotlight and Battery:

- Recharge battery fully before first use
- Do not use spotlight while charging directly from AC outlet; doing so may cause damage to spotlight battery and AC charger
- DC charger, for charging spotlight battery, operates using 12~24V DC connection from vehicle while engine is running
- Only use charging devices included with spotlight or its replacements
- Do not allow battery to completely discharge, if spotlight is dim the battery is low
- Recharge battery as soon as possible after each use
- Keep battery fully charged when not in use to prolong the overall life

**IMPORTANT:** A completely discharged battery may not recharge properly.  
Charge battery before storing for extended periods

**⚠ WARNING** A damaged battery can leak acid, avoid contact with eyes, skin and do NOT ingest. If contact occurs, flush with water and contact physician immediately if ingested

## WARRANTY

Your Cyclops® product is covered by a 90-day limited warranty on parts and labor from date of original purchase through an authorized dealer. The warranty covers defects in workmanship and material and does not apply to products which have been damaged or abused by misuse. Warranty is void if product was purchased from unauthorized dealers, including individuals and Internet sites. Tampering with or altering the unit will void the warranty as will unauthorized service. Original sales receipt is required for warranty services including Return Authorization (RA) number obtained from customer service at 877-269-8490 prior to returning product.

## MAINTENANCE

Use damp cloth and mild soap to clean outer housing. Never allow liquid to get inside the housing.



Contains lithium-ion battery; must be recycled or disposed of properly.

## Environmental Protection

Electrical products should not be disposed of with household waste. Please recycle where facility exist. Contact with your local authority or retailer for recycling information.

