



Koblenz®

THE CLEANING MACHINE®

PROFESSIONAL CARPET
SHAMPOOER/HARDFLOOR CLEANER/ BUFFER

LAVALFOMBRAS/PULIDORA PROFESSIONAL

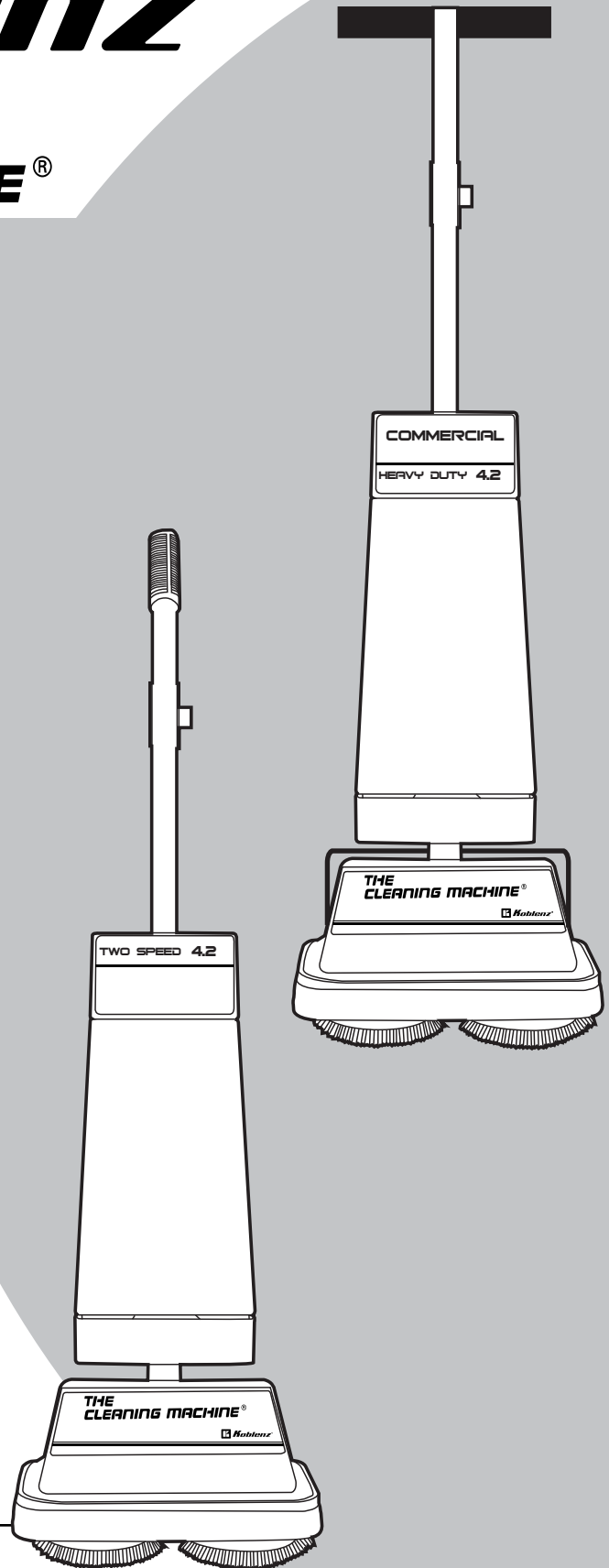
OWNER'S MANUAL AND OPERATING INSTRUCTIONS

MANUAL DE OPERACIÓN

MODEL
MODELO

LM-1400	P-830	P-1800
P-600	P-840	P-2000
P-620	680.84973	P-2500
P-650	P-850	P-2600
P-700	P-860	P-4000
P-780	P-870	P-4200
P-800	P-900	P-5800
P-810	P-1500	P-84973
P-820	P-1700	

Electrical rating / Características Eléctricas: 120 V~ 4,2 A 60 Hz



Please read this manual carefully before operating your new floor polisher.

Antes de utilizar su nueva lavapisos lea este manual cuidadosamente.

¡Congratulations!

YOU HAVE PURCHASED A KOBLENZ /
SHAMPOOER / HARDFLOOR CLEANER/BUFFER
TO CLEAN AND MAINTAIN
VIRTUALLY EVERY TYPE OF FLOOR,
INCLUDING WOOD, PLEASE READ
THIS MANUAL CAREFULLY BEFORE
OPERATING YOUR NEW FLOOR
POLISHER.

KEEP THIS MANUAL FOR FUTURE REFERENCE.



¡Felicidades!

ACABA DE ADQUIRIR UNA
LAVALFOMBRAS/PULIDORA
KOBLENZ DISEÑADA
PARA EL CUIDADO DE SUS PISOS,
INCLUSIVE PISOS DE MADERA.
ANTES DE UTILIZAR SU NUEVA
PULIDORA, FAVOR DE LEER
ESTE MANUAL CUIDADOSAMENTE.

CONSERVE ESTE MANUAL PARA FUTURAS
REFERENCIAS.

IMPORTANT SAFETY INSTRUCTIONS

This Carpet Shampooer/ Hardfloor Cleaner/Polisher is for household use only. When using an electrical Carpet Shampooer/ Hardfloor cleaner/Polisher, basic precautions should be followed. **READ ALL INSTRUCTIONS BEFORE USING THIS APPLIANCE.**

WARNING

To reduce risk of fire, electric shock or injury:

- DO NOT USE WITH FLAMMABLE OR COMBUSTIBLE LIQUIDS, SUCH AS GASOLINE, OR USE IN AREAS WHERE THEY MAY BE PRESENT.
- Do not leave this appliance when it is plugged in. To reduce the risk of electric shock-Use indoors only.
- This appliance is double insulated. Use only identical replacement parts. See instructions for servicing a double-insulated appliance.
- Do not immerse. To reduce the risk of electric shock use only on carpets moistened by cleaning process.
- To reduce the risk of fire, use only commercially available floor cleaners and waxes intended for machine application.
- Unplug from the outlet when not in use and before servicing.
- Do not allow to be used as a toy. Close attention is necessary when used by or near children.
- Use only as described in this manual. Use manufacturer's recommended attachments.
- Do not use with damaged cord or plug. If this appliance is not working as it should, has been dropped, damaged, left outdoors or dropped into water, return it to a service center before using.
- Do not pull or carry by the cord, use cord as a handle or close a door on the cord. Do not pull the cord around sharp edges or corners. Do not run appliance over cord, keep cord away from heated surfaces.
- Do not unplug by pulling on cord. To unplug, grasp the plug, not the cord.
Do not handle the plug with wet hands.
Do not put any objects into openings. Do not use with
- blocked openings. Keep free of dust, lint, hair and anything that may reduce air flow.
- Keep hair, loose clothing, fingers and parts of body away from openings and moving parts.
- Do not attach or remove brushes with electric cord plugged in.
- Turn off before unplugging.
- Use extra care when cleaning stairs.
Never fill dispenser without removing it from the appliance.
- Never turn the appliance on with the handle in the upright position. Make sure the handle is in operating position.
- Disassembly of this unit can be hazardous.
- Do not leave the appliance turned on when it is not in use.
- Seek professional servicing.

SAVE THESE INSTRUCTIONS

SERVICING OF DOUBLE-INSULATED APPLIANCES.

A double-insulated appliance is marked with one or more of following: The words "DOUBLE INSULATION" or "DOUBLE INSULATED" or the double insulation symbol (square within a square).



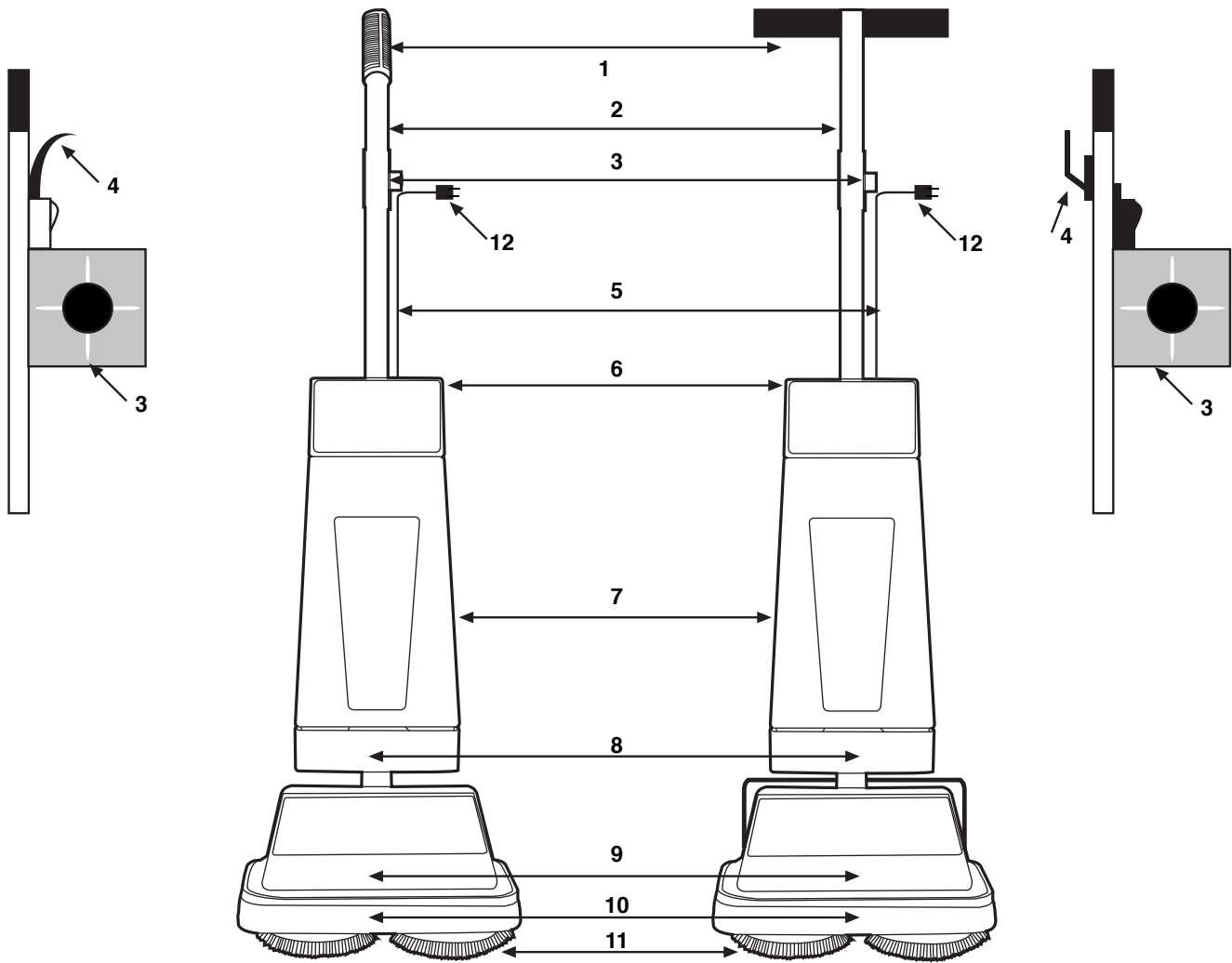
In a double-insulated appliance, two system of insulation are provided instead of grounding. No grounding means is provided on a double-insulate appliance, nor should a means for grounding be added to the appliance. Service of a double-insulated appliance requires extreme care and knowledge of the system, and should be done only by a qualified service personnel. Replacement parts of a double-insulated appliance must be identical to the parts they replace.

Polarization Instructions

To reduce the risk of electric shock, this appliance has a polarized plug (one blade is wider than the other). This plug will fit in a polarized outlet only one way. If the plug does not fit fully in the outlet, reverse the plug. If still does not fit, contact a qualified electrician to install the proper outlet. Do not change the plug in any way.

Warning: The power cord on this product contains lead, a chemical known to the state of California to cause birth defects or other reproductive harm. Wash hands after handling.

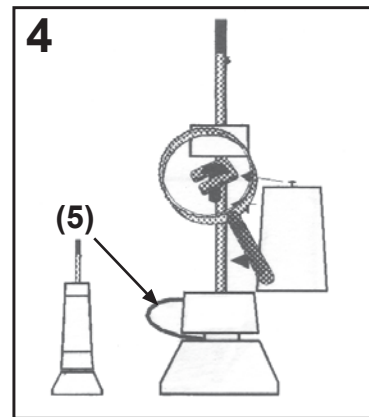
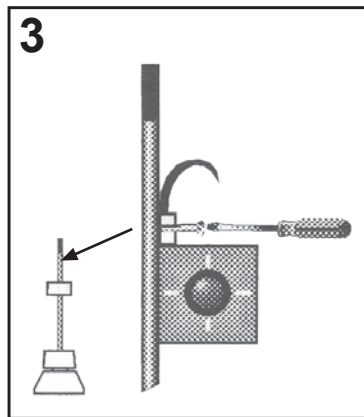
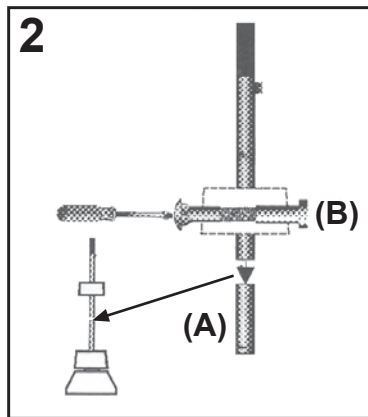
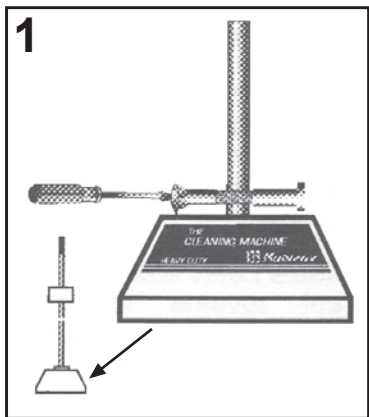
DIAGRAM / DIAGRAMA GENERAL



PARTS LIST / LISTA DE PARTES

1	HANDLE	MANIJA
2	UPPER HANDLE TUBE	TUBO MANIJA SUPERIOR
3	SWITCH BOX	INTERRUPTOR
4	TRIGGER	GATILLO
5	ELECTRIC CORD	CABLE DE CORRIENTE (ALIMENTACIÓN MOTOR)
6	UPPER TANK HOLDER	TAPA SUPERIOR DEL TANQUE
7	TANK	TANQUE
8	LOWER TANK HOLDER	SOPORTE INFERIOR DEL TANQUE
9	MOTOR COVER	CUBIERTA MOTOR
10	FURNITURE GUARD	MOLDURA PROTECTORA
11	BRUSHES & PADS	CEPILLOS Y COJINETES
12	LINE CORD	CABLE DE CORRIENTE

HOW TO ASSEMBLE YOUR SHAMPOOER/ HARDFLOOR CLEANER/ POLISHING



1.- Place the lower tube into socket above motor cover. Fasten using a bolt and internally threaded nut (larger screws provided). Make sure that screws are aligned with the tube openings.

2.- a) Place the upper handle tube in the lower tube.
b) Secure with screws.

3.- Snap the switch box into a rectangular hole in the upper handle tube. Secure with a small screw provided with the owner's manual.

4.- Snap in tank as shown, make sure that the metal dispensing button at the top of the tank fits into the metal dispensing mechanism.

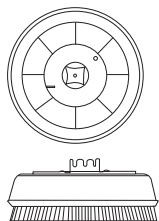
5.- Connect the small dispensing hose into the hole provided at the rear of the motor cover.

ACCESSORIES

NOT ALL MODELS CONTAIN ALL ACCESSORIES

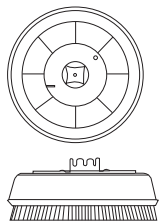
PLEASE SEE INVENTORY ON THE OUTSIDE OF BOX

BRUSHES



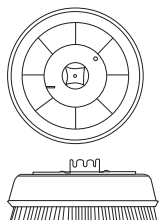
► **SHAMPOO BRUSHES**
(White polyethylene)

Cleans carpets with shampoo foam without soaking. Use only on carpets.



► **SCRUBBING BRUSHES**
(Dark brown)

Removes imbedded dirt and grime on all hard floors, except wood. DO NOT USE ON CARPETS. THIS BRUSHES ALSO WORKS AS A BASE FOR PADS.



► **POLISHING BRUSHES**
(Light brown)

Ideal for polishing hardwood floors or irregular surfaces. Improves the luster of most waxes by making a smoother, more durable coat. CAN ALSO BE USED AS A BASE FOR PADS.

PADS

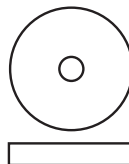


► **SCRUBBING PADS**
(Green fiber)

For use on ceramic tile floors, vinyl or linoleum.

Removes embedded dirt and grime. Good for very heavy duty cleaning. Ideal for smooth surfaces.

MOUNT DIRECTLY ON SCRUBBING BRUSHES OR POLISHING BRUSHES USING SNAPS.



► **CLEANING AND POLISHING PADS**
(Tan fiber)

Removes and redistributes wax layers. Improves the luster to create a more durable coat. Removes scuff marks.

MOUNT DIRECTLY ON SCRUBBING BRUSHES OR POLISHING BRUSHES.



► **BUFFING PADS**
(Grey felt)

Brings out the shine on any waxed or unwaxed surfaces. Quickly removes brush swirls caused by polishing.

MOUNT DIRECTLY ON SCRUBBING BRUSHES OR POLISHING BRUSHES.



► **LAMBSWOOL PADS**
(White)

Improves luster on wood and other hard floor surfaces.

MOUNT DIRECTLY ON SCRUBBING BRUSHES OR POLISHING BRUSHES.

For more information on the use of accessories see *The Floor Care Accessory Guide* on the last page.

AVAILABLE

Dry Foam Rug Shampoo	<i>Cleans and brightens carpeting bringing back the original color. Dry foam deep cleans without soaking.</i>
Carpet Spotter	<i>Pretreats tough stains on carpeting before shampooing.</i>
Deodorizer	<i>Shampoo additive which eliminates pet odors and strong smells. Clean fresh scent.</i>
All Purpose Neutral Cleaner	<i>Ph-balanced formula safely cleans delicate surfaces. Use with The Cleaning Machine to deep clean wood, marble, terrazzo and linoleum floors.</i>
Heavy Duty Cleaner	<i>Excellent for deep cleaning kitchen and bathroom floors. Removes grease and deep embedded dirt.</i>
High Gloss Protective Floor Finish	<i>Seals and protects floor finish leaving a smooth shiny surface.</i>
Wax Stripper	<i>When used with the cleaning machine removes old wax films from floor surfaces.</i>

**NOT ALL CLEANING SOLUTIONS
ARE INCLUDED WITH ALL MODELS.**

For prices see enclose product "Customer Order Form"

HOW TO INSTALL BRUSHES AND PADS

1. Unplug your unit, and remove tank.
2. Turn motor cover up by placing polisher in front of you, incline the machine toward you pressing the motor cover down.
3. Place the brush on spindle and press down until it locks into position (Fig. C)
4. Pads should be placed on top of scrubbing or polishing brushes only. Place pad retainer in hole on pad and press down to snap into position (Fig. D)
5. To remove pads, pull the pad retainers firmly out of place.
6. To remove brushes, pull them out firmly.

CAUTION: PLACE PADS ON SCRUBBING BRUSHES OR POLISHING BRUSHES ONLY, NEVER ON CARPET BRUSHES.



FIG. C

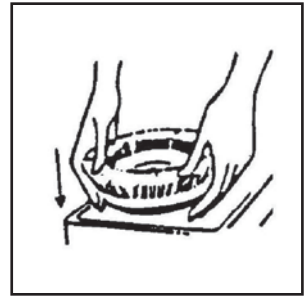


FIG. D

HOW TO START YOUR RUG SHAMPOOER / FLOOR POLISHER

1. Pull the handle toward you (Fig. E) to the operating position.
2. Using switch box turn on the Shampooer/Polisher, see chart below.

SPEED:

LOW/MEDIUM: To scrub floors, shampoo carpets

HIGH: To polish to a high gloss.

NOT ALL MODELS ARE THREE (3) SPEEDS.

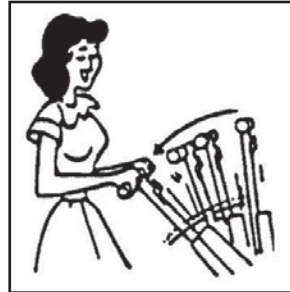


FIG. E

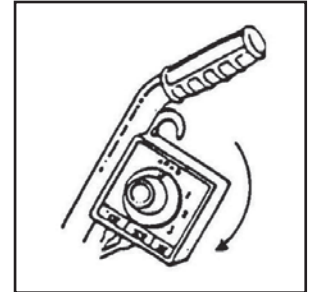


FIG. F

HOW TO CLEAN TANK AND ACCESSORIES

STORAGE: ALL ACCESSORIES AND TANK SHOULD BE COMPLETELY DRY BEFORE STORING THEM. REMOVE BRUSHES AND PADS FROM MACHINE FOR STORAGE.

Cord Storage: After use, unplug and coil the power cord around the cord wrap placed on the back of the machine.

BRUSHES

- ▶ After each use, wash with lukewarm soapy water. NEVER USE HOT WATER. Shake out excess water. Stand bristles on paper towel to dry. DO NOT FORCE DRY BY USING OVEN OR RADIATOR HEAT.

PADS

Pads should be washed with warm soapy water. Rinse thoroughly in cold water. Stretch out to shape and allow to dry on a flat surface.

TANK

Rinse thoroughly with warm water and allow to dry. (Fig. G) NEVER STORE LIQUID IN TANK
Flush dispensing system by partially filling tank with warm water and mounting it and dispensing the water into a receptacle placed under the unit.

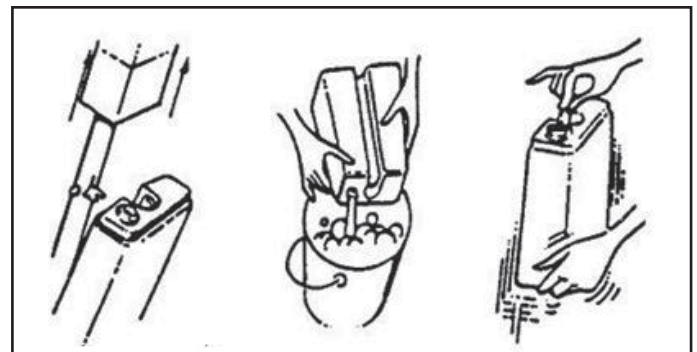


FIG. G

CARPET CARE

1. Vacuum carpet to remove any loose dirt.
2. Test color fastness of your carpet by cleaning a small area with your shampooer / polisher following steps 5,6 and 7. While damp, brush carpet in one direction and let dry. If your color holds, you can proceed to shampoo the rest of your carpet
3. Pretreat spots and stains with a carpet spotter.
4. Remove all furniture from room, or protect as shown in figure (A).
5. Attach the SHAMPOO BRUSHES.

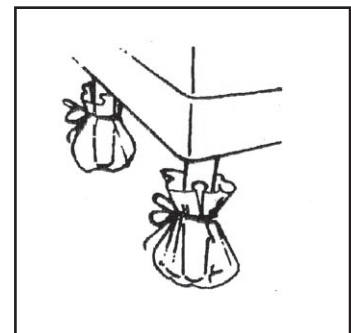


FIG. A

6. Fill tank with water then add the desired cleaning solution. It is recommended to put the water first, to avoid foaming. Place tank on shampooer. **DO NOT USE SOAP OR DETERGENT ON CARPET.**

7. Lower handle to the operating position, and turn the unit on. When brushes start rotating, press the dispenser trigger to release shampoo solution. **DO NOT SOAK TO AVOID MILDEWING AND DISCOLORATION.**

8. Clean small areas of 3 x 3 feet at a time using slow forward, sideways and backwards strokes until a small uniform film of foam disappears. (Fig. B)

9. Proceed to another area in the same manner. Make sure that the last movement in one area is in the same direction as the last area.

10. Allow carpeting to dry completely, preferably overnight. Ventilating the room or using a fan may reduce drying time. If your need to walk over a wet carpet, protect it with a white cloth or towel.

11. Once dry, vacuum the carpet to remove all crystalized debris.

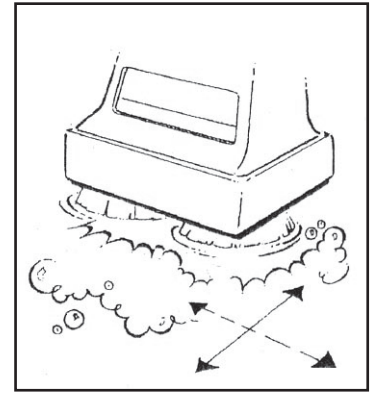


FIG. B

HARDWOOD FLOOR CARE

■ **KEEP FLOORS CLEAN** Vacuum Hardwood floors daily.

■ **BUFFING** Buff once or twice a week to remove scuff marks and improve the shine of the hardwood floor. Make sure that the floor is dry. Attach the lambswool or felt pads over the polishing or scrubbing brushes. Secure with the pad retainers. To remove stubborn scuff marks use the tan cleaning pads. Turn the unit on and glide the machine over the surface with forward and backward strokes, following the direction of the grain until the desired finish is achieved.

■ **CLEANING** Hardwood floors may be damp mopped with a ph balanced neutral cleaner if they have been previously sealed with a polyurethane finish. Always avoid excess water on wood floors.

■ **POLISHING** To polish using paste wax, apply the wax by hand and let dry. Use the machine with polishing brushes or dry tan pads placed over the polishing brushes. Turn the unit on. Glide the machine over the floor with forward and backward strokes following the direction of the grain. If you apply two or more layers of wax, polish the first layer before applying the second layer. Never pour liquid wax into the tank. If a liquid wax finish is applied to the wood floor by hand, let it dry, they buff with the lambswool pads if desired.

■ **DEEP CLEANING** A sealed hardwood floor may be deep cleaned if excessively soiled. Dilute a neutral cleaner in the tank following the instructions on the product. Use the machine with the tan pads placed over the polishing or scrubbing brushes. Pull the trigger to dispense the cleaning solution of the floor. Do not place too much water on the floor and dry immediately after cleaning.

IF YOU HAVE A PROBLEM

PROBLEM	POSSIBLE CAUSE	SOLUTION
Shampooer does not turn on	Bad connection	Connect plug firmly.
Does not clean properly	Wrong brushes or pads	Check if brushes or pads are the correct ones.
Does not dispense shampoo	Tank clogged Tank loose Tank valve not opening	Remove tank and clean. Check that tank is installed correctly. Make sure tank is inserted correctly with valve stem above valve hook. (see how to assemble the tank)
Shampoo leaks	Hose loose Broken tank Broken hose	Place hose into position. Replace tank with original replacements. Replace hose.
Brushes fall off	Not attached correctly Spring not functioning	Push brushes completely down into spindle. If this does not work, check the little spring loaded ball or nib. Replace nib. See spindle cap insulator.
Pads fall off	Worn or Damaged Pads retainers not placed correctly Pad retainers broken	Kit part number 46-1610 Place pad retainers correctly. Replace with genuine parts.

INSTRUCCIONES IMPORTANTES DE SEGURIDAD

Esta lavapisos/pulidora es únicamente para uso doméstico.
Cuando use su lavapisos/pulidora, debe seguir las instrucciones incluídas en este manual.
LEA TODAS LAS INSTRUCCIONES ANTES DE USAR EL APARATO.

ADVERTENCIA

Para reducir el riesgo de fuego, descargas eléctricas o heridas.

- NUNCA UTILICE SOLVENTES O MATERIALES FLAMABLES COMO GASOLINA, O EN ÁREAS DONDE ESTOS ESTEN PRESENTES.
- No permita que se utilice como un juguete. Tenga cuidado cuando sea utilizado cerca de niños.
- Cuando no esté en uso y antes de darle servicio, apáguela y desconéctela.
- Para reducir el riesgo de una descarga eléctrica NO utilizarla a la intemperie.
- Esta lavapisos/pulidora, esta provista de un doble aislamiento. Utilice únicamente partes idénticas a las reemplazadas. Lea las instrucciones para servicio de aparatos de doble aislamiento. No deje su lavapisos/pulidora conectada a la toma de corriente.
- No la sumerga en agua. Para reducir el riesgo de una descarga eléctrica usese únicamente en alfombras húmedas, siguiendo el procedimiento de limpieza que se indica en el manual.
- Para reducir el riesgo de fuego, use solamente limpiadores de pisos y ceras comerciales aplicables para este tipo de maquinaria.
- Usese sólo como se describe en este manual. Utilice únicamente accesorios recomendados por el fabricante,
- **Si el cordón de alimentación es dañado, este debe ser reemplazado por el fabricante o su agente de servicio o personal calificado para evitar el riesgo.**
- No cargue o jale la pulidora por los cables, ni los use como manija; al cerrar una puerta cuide que ésta no oprima el cable de alimentación, no jale el cordón sobre orillas o esquinas filosas y manténgalo alejado de superficies calientes. No maneje la clavija con las manos mojadas.
- No desconecte su lavapisos/pulidora jalándola del cable, jale la clavija.
- No ponga ningún objeto en las aberturas, ni se utilice con alguna abertura bloqueada, mantengase libre de polvo o cualquier objeto que reduzca el flujo del aire.
- Mantenga el cabello, ropa suelta, dedos y cualquier parte del cuerpo lejos de las aberturas o partes en movimiento.
- Antes de colocar, cambiar o quitar los cepillos, asegúrese que el aparato este desconectado.
- Apague su lavapisos/pulidora antes de desconectarla de la toma de corriente.
- Tenga mucho cuidado al lavar escaleras.
- Sus lavapisos/pulidora debe tener el mango en posición de operación al encenderlo; si se hace en posición vertical se pierde el control del aparato.
- Desarmar este aparato puede ser peligroso. El servicio de su lavapisos/pulidora debe ser hecho por un técnico especializado.
- No deje encendida su lavapisos/pulidora cuando no la este usando.

CONSERVE ESTAS INDICACIONES

SERVICIO DE APARATOS DE DOBLE AISLAMIENTO

Un aparato de doble aislamiento esta marcado con uno o más de los siguiente: Las palabras "DOUBLE AISLAMIENTO" o "DOBLE AISLADO" o el símbolo de doble aislamiento (un cuadro dentro de otro):

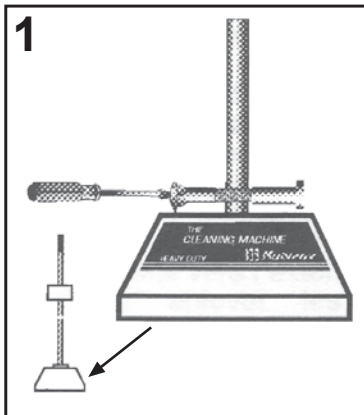


En un aparato de doble aislamiento, dos sistemas de aislamiento son incluídos en lugar de la tierra física. Ninguna forma de aterrizado esta incluído en un aparato de doble aislamiento. Ningún tipo de tierra se debe instalar en la máquina, el servicio a un aparato de doble aislamiento requiere de cuidados y conocimientos especiales, y deberá ser realizado únicamente por personal calificado. Reemplace las partes de un aparato de doble aislamiento con componentes idénticos a los reemplazados.

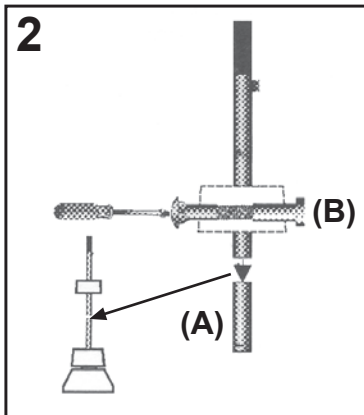
Instrucciones de polarizado

Par reducir el riesgo de una descarga eléctrica, este prodcto cuenta con clavija polarizada (una terminal es más ancha que la otra). Sólo puede ser conectada de una sola manera, en un contacto polarizado: si no entra, colóquela en forma inversa: si aún asi no entra, llame a un electricista calificado para que le instale el contacto adecuado. No sustituya la clavija polarizada por un tipo diferente de clavija.

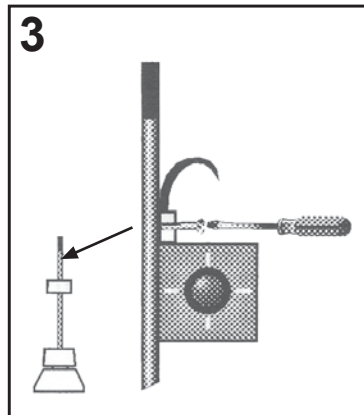
COMO ENSAMBLAR SU LAVAPISOS / PULIDORA



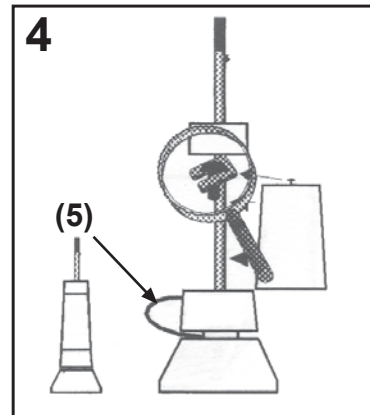
1.- Colocar el tubo de la parte inferior a la entrada de la base del motor. Sujételos con los tornillos que vienen en el manual. Asegúrese que los tornillos estén alineados a los orificios del tubo.



2.- a) Ensamblar el tubo de la manija superior con el tubo inferior.
b) Asegúrelos con los tornillos.



3.- Inserte el interruptor en el tubo de arriba. Asegúrelo con el tornillo pequeño que viene en el manual del usuario.



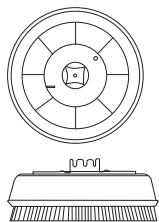
4.- Haga presión para insertar el tanque hasta oír que encaja como se ven en la ilustración.

5.- Conecte la manguera en el orificio localizado en la parte trasera de la unidad.

ACCESORIOS

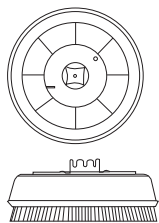
NO TODOS LOS ACCESORIOS SE INCLUYEN EN TODOS LOS MODELOS, VEA EL INVENTARIO QUE TRAE LA CAJA.

CEPILLOS



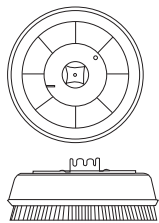
▶ CEPILLOS PARA ALFOMBRA (Polietileno blanco)

Lave sus alfombras con la espuma del shampoo sin mojar en exceso. **NO USE ESTOS CEPILLOS CON LOS COJINETES, USE ESTOS CEPILLOS ÚNICAMENTE PARA LAVAR SU ALFOMBRA.**



▶ CEPILLOS PARA RESTREGAR (Café oscuro)

Remueven manchas y mugre pegadas en cualquier tipo de piso duro. **NO USAR EN ALFOMBRAS. ESTOS CEPILLOS TAMBIEN FUNCIONAN COMO BASE PARA MONTAR TODOS LOS COJINETES.**



▶ CEPILLOS PARA PULIR (Café claro)

Ideales para esparcer la cera sobre pisos irregulares, puliendo firmemente y mejorando el brillo logrando una capa lisa y durable. **No use estos cepillos sobre alfombra. También puede usar estos cepillos como base para los cojinetes.**

COJINETES



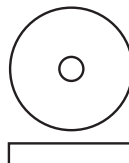
▶ COJINETES PARA RESTREGAR (Fibra verde)

Remueve manchas y mugre pegada al piso. Ideal para limpieza profunda en cualquier tipo de piso duro. **INSTALE LOS COJINETES SOBRE LOS CEPILLOS PARA RESTREGAR O PULIR.**



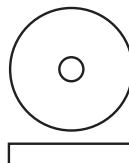
▶ COJINETES PARA PULIR Y ENCERAR (Fibra canela)

Remueven y distribuyen las capas de cera para mejorar el brillo y crear una capa de cera durable. **INSTALE ESTOS COJINETES SOBRE LOS CEPILLOS PARA RESTREGAR O PULIR.**



▶ COJINETES PARA ABRILLANTAR (Fieltro gris)

Saca el brillo de cualquier superficie encerada. Remueve las marcas que deja el pulido. **INSTALE ESTOS COJINETES SOBRE LOS CEPILLOS PARA RESTREGAR O PULIR.**



▶ COJINETES PARA LUSTRAR (Lana blanca)

Para dar brillo a madera y otras superficies. **INSTALE ESTOS COJINETES SOBRE LOS CEPILLOS PARA RESTREGAR O PULIR.**

Para más información sobre el uso de accesorios vea la guía de uso en la última página.

Productos de Limpieza Profesional

**Shampoo de Espuma Seca
para Alfombras**

Limpia y abrillanta sus alfombras y tapetes devolviendo el color original. La espuma seca limpia profundamente sin necesidad de tallar o restregar.

Atomizador Quitamanchas

Tratamiento previo para quitar manchas difíciles en alfombras antes de lavarlas.

Desodorizante

Aditivo para el shampoo que elimina olores desagradables que dejan las mascotas, así como olores fuertes; deja un aroma fresco.

Limpiador Neutro

Fórmula con un PH balanceado que cuidadosamente, limpia superficies delicadas. Usese con sus lavapisos Koblenz para una limpieza profunda en pisos de madera, mármol, terrazo y linoleum.

Acabado Protector de Alto Brillo

Sella y protege pisos, este acabado deja una superficie suave y brillante.

Removedor de Cera

Cuando se utiliza con su lavapisos Koblenz, remueve las capas de cera vieja de sus pisos.

NO TODOS LOS ACCESORIOS SE INCLUYEN EN TODOS LOS MODELOS.

COMO INSTALAR CEPILLOS Y COJINETES

1. Desconecte el aparato y quite el tanque.
2. Voltee la máquina para que los cepillos queden hacia arriba.
3. Inserte los cepillos sobre los ejes, presionando hasta el fondo. (Fig. C)
4. Para quitar los cepillos jálelos hacia afuera (Fig. D)
5. Para poner los cojinetes colóquelos sobre los cepillos de pulir o restregar, sujételos insertando el retén de plástico en la parte central del cepillo.
6. Para quitar los cojinetes, primero quite los retenes de plástico y luego el cojinete.



FIG. C

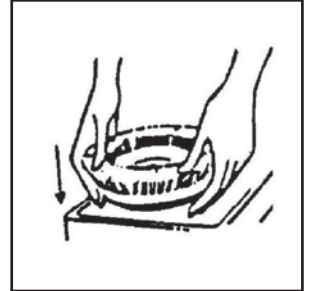


FIG. D

NOTA: Utilice los cepillos de restregar ó pulir como base para todos los cojinetes. Nunca utilice los cojinetes con los cepillos para alfombras.

COMO ENCENDER SU LAVAPISOS/ PULIDORA

1. Incline el aparato jalando la manija hacia usted. (Fig. E)
2. Gire la perilla del interruptor / selector de velocidades (3)

VELOCIDADES:

BAJA/MEDIA: Para lavar alfombras o pisos.

ALTA: Para pulir y abrillantar.

NOTA: NO TODOS LOS MODELOS SON DE 3 (TRES) VELOCIDADES

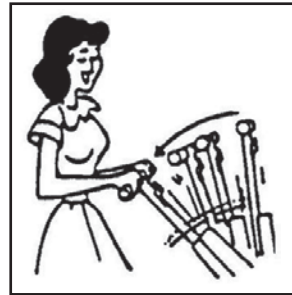


FIG. E

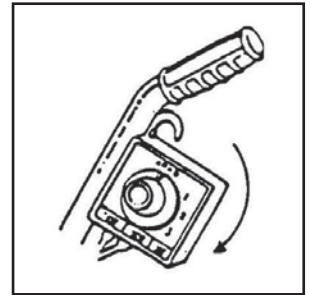


FIG. F

COMO LAVAR EL TANQUE Y LOS ACCESORIOS

ALMACENAMIENTO: ASEGÚRESE QUE TODOS LOS ACCESORIOS DE SU LAVAPISOS ESTÉN BIEN SECOS ANTES DE GUARDARLOS. QUITÉ LOS CEPILLOS Y COJINETES DE SU LAVAPISOS ANTES DE GUARDARLA.

Almacenamiento del Cable: Después de usar, desconecte y enrede el cable alrededor de los seguros que se encuentran en la parte posterior de su lavapiños.

► CEPILLOS

1. Lávelos con agua tibia y jabón. NUNCA USE AGUA CALIENTE.
2. Sacúdalos y déjelos secar con las cerdas hacia abajo sobre una toalla o papel. NUNCA LOS SEQUE CON UN CALENTADOR, ESTO PODRÍA DEFORMARLOS.

► COJINETES

1. Lávelos con agua tibia y jabón, enjuáguelos con agua fría.
2. Extiéndalos y déjelos secar en una superficie plana.

► TANQUE

1. Lávelo, enjuáguelo y séquelo perfectamente (Fig. G) NUNCA GUARDE LÍQUIDOS EN EL TANQUE.
2. Enjuague el sistema de distribución de shampoo llenando parcialmente el tanque con agua tibia, colocándolo en la lava alfombras y jalando el gatillo sobre un recipiente.

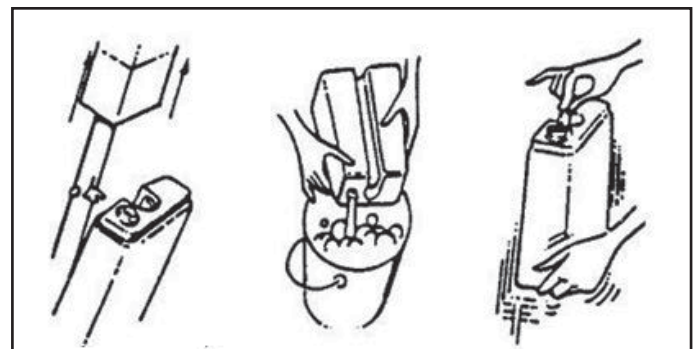


FIG. G

COMO CUIDAR SU ALFOMBRA

1. Aspire perfectamente su alfombra.
2. Pruebe la firmeza del color de su alfombra lavando una pequeño área con su lava alfombras siguiendo los pasos. Cuando aún este húmeda, cepílela en una sola dirección. Déjela secar y observe si no esta decolorada, proceda a darle shampoo a toda su alfombra.

3. Quite las manchas más notorias frotándolas con un cepillo, agua y jabón o con un desmanchador especial de alfombras.

4. Quite los muebles de su alfombra y protéjalos como se indica. (Fig. A) (cubriéndolos con una bolsa de plástico)

5. Coloque los CEPILLOS PARA ALFOMBRA (Cerdas Blancas).

6. Llene el tanque con shampoo especial para lava alfombras diluido en agua y ciérrelo bien. NO USE JABÓN DETERGENTE SOBRE LA ALFOMBRA.

7. Incline el aparato hacia usted y enciéndalo. Cuando los cepillos estén girando, jale el gatillo del shampoo para que salga, NO JALE EL GATILLO EN EXCESO SI EL APARATO NO ESTA EN MOVIMIENTO. NO MOJE EN EXCESO SU ALFOMBRA PARA EVITAR ENMOHECIMIENTO O DECOLORACIÓN.

8. Vaya lavando áreas de 1m x 1m de su alfombra, moviendo su lavapisos/pulidora lentamente hacia adelante, a un lado y hacia atrás (Fig. B).

9. Siga con las demás áreas de su alfombra lavándolas de la misma forma. Cuide que su último movimiento sea en la misma dirección del área anterior.

10. Deje secar su alfombra de preferencia toda la noche. Una buena ventilación ó el uso de un ventilador reduce el tiempo de secado. Es recomendable lavar sus alfombras en época de baja humedad ambiental. Si requiere caminar en su alfombra cuando todavía esté húmeda, protéjala con toallas o trapos blancos.

11. Cuando la alfombra esté completamente seca, aspirela para recoger el remanente de suciedad cristalizada.

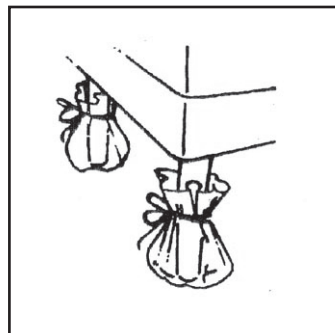


FIG. A

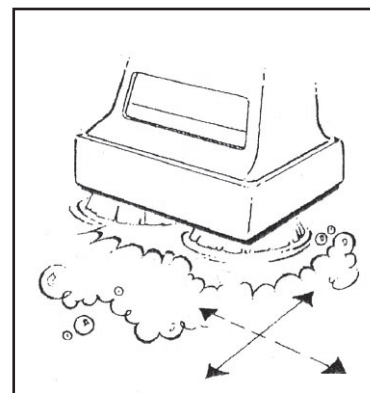


FIG. B

COMO CUIDAR SUS PISOS DE MADERA

1. Aspire sus pisos diariamente.
2. Abrillante la superficie seca una o dos veces por semana.

■ LIMPIAR

1. Trapeé con una jerga húmeda y un detergente neutro utilizando la menor cantidad de agua posible para no dañar sus pisos.

■ ABRILLANTAR

1. Abrillante una vez a la semana para eliminar taconazos y mejorar el brillo.
2. Coloque los cojinetes de lana sobre los cepillos secos para restregar o pulir.
3. Encienda la lavapisos y siga las indicaciones de pulido.
4. Para mantener sus pisos, abrillante una ó dos veces por semana.

■ PULIDO

1. Asegúrese que el piso esté bien seco.
2. Coloque los cojinetes canela para pulir encima de los cepillos para restregar ambos deben estar bien secos.
3. Encienda el aparato y guíelo lentamente con movimientos constantes hacia adelante y hacia atrás hasta lograr un pulido uniforme.
4. Pula los pisos frecuentemente para alargar el tiempo entre cada encerada.

■ CERA EN PASTA

1. Aplique la pasta directamente sobre el piso. Use la lavapisos con los cepillos para pulir o los cojinetes canela.
2. Encienda la lavapisos, guíela hacia adelante y atrás.
3. Si va a aplicar dos capas de cera, pula la primera antes de aplicar la segunda.

■ CERA LÍQUIDA

1. Nunca la ponga en el tanque. Aplíquela directamente en el piso con una esponja. Deje secar y abrillante si lo desea.

■ LIMPIEZA PROFUNDA

1. Diluya el limpiador neutro en el tanque según las instrucciones de la botella. Coloque los cojinetes canela sobre los cepillos para restregar. Si el piso está muy sucio use los cojinetes verdes, no moje el piso en exceso, seque inmediatamente después de lavar.

COMO CUIDAR SUS PISOS DUROS

1. Aspire sus pisos diariamente.
Trapee con una jerga húmeda y un detergente neutro utilizando la menor cantidad de agua posible para no dañar sus pisos.
2. Abrillante la superficie seca una o dos veces por semana.

- A. RESTREGADO**
1. Colóque los cepillos para restregar para limpiar pisos en cocinas o baños. Para superficies con textura use los cepillos, para superficies lisas use los cojinetes verdes.
 2. Incline su aparato hacia usted y enciéndalo. Lave el piso con movimiento lentos hacia adelante y hacia atrás hasta que aparezca la jabonadura sucia.
 3. Retire la jabonadura sucia con una jerga o trapo limpio hasta que el piso quede libre de jabón. Seque bien con un trapo limpio.
- B. PULIDO**
1. Asegúrese que el piso esté bien seco.
 2. Colóque los cojinetes canela para pulir encima de los cepillos para restregar (ambos deben estar secos).
 3. Encienda el aparato y haga los movimientos que en el restregado, hasta obtener el acabado desdeado.
- C. ABRILLANTADO**
1. Colóque los cojinetes de fieltro encima de los cepillos para restregar secos.
 2. Incline el aparato, conéctelo y enciéndalo.
 3. Siga las mismas instrucciones de movimiento que para el pulido.
 4. Una capa protectora de cera líquida se puede aplicar antes o después de abrillantar. Si la aplica déjela secar totalmente y luego abrillante.

Para limpiar y mantener adecuadamente los pisos en su hogar, siempre siga las recomendaciones del Fabricante.

EN CASO DE PROBLEMAS

PROBLEMA	POSIBLE CAUSA	SOLUCIÓN
No enciende	- Clavija mal conectada	- Conectar bien la clavija
No limpia adecuadamente	- Cepillos equivocados	- Verifique que los cepillos sean los adecuados
No sale shampoo	- Tanque tapado - Tanque mal puesto - La válvula del tanque no abre - Manguera rota	- Retire el tanque y limpie - Verifique que las uñas entren bien en la barra del tanque. - Asegúrese que el tanque este bien colocado con la corona arriba. - Reponga la manguera.
Se gotea el shampoo	- Tubo de manguera suelto - Tanque perforado - Dispensor del tanque mal colocado - Manguera rota - Tubo manguera perforado	- Colóque el tubo manguera en su lugar - Reemplace el tanque con partes originales de fábrica - Poner en posición correcta hacia abajo - Cambie la manguera por una nueva - Reemplace el tubo manguera con accesorios originales
Se caen los cepillos	- Cepillos mal colocados - Eje de cepillos desgastados o averiados	- Verifique que los cepillos estén bien colocados en los ejes - Reemplace los aislantes de los ejes
Se caen los cojinetes	- Retenes mal colocados - Retenes rotos	- Colocar bien los retenes de los cojinetes - Reemplazar retenes

ENGLISH		EASY STEPS TO TOTAL FLOOR CARE		The Cleaning Machine	
Type of Floor	Step 1 CLEAN	Step 2 PROTECT	Step 3 BUFF	Step 4 TOUCH-UPS	
WOOD CERAMIC TILE & VINYL MARBLE, TERRAZO & LINOLEUM RUGS & CARPETS	All Purpose Neutral Cleaner <ul style="list-style-type: none"> Damp mop floors using ph. balanced neutral cleaner with your mop. For Deep Cleaning: <ul style="list-style-type: none"> Dilute Neutral Cleaner in tank as indicated on bottle. Use Cleaning Machine with Tan polishing pads. Mop and dry (continue with step 2) 	Polishing pads <ul style="list-style-type: none"> Use Cleaning Machine with dry tan polishing pads over dry polishing or scrubbing brushes to the renew luster. If you apply a paste wax let dry then use the machine with dry polishing brushes or tan pads. 	Buff <ul style="list-style-type: none"> Use The Cleaning Machine with Lambswool or felt pads to obtain high gloss on floor finish. 	Touch-ups <ul style="list-style-type: none"> To remove scuff marks on floor finish use The Cleaning Machine with dry lambswool or felt pads. For stubborn scuff marks use with tan cleaning pads. 	
	Heavy Duty Cleaner <ul style="list-style-type: none"> Dilute in tank as indicated on bottle. Use Cleaning Machine with Green or Tan Pads or Scrubbing Brushes. Mop and dry. Continue with step 2. <p><i>Note: Scrubbing Brushes are recommended for textured surfaces and Green scrubbing Pads for smooth surfaces.</i></p>	Tan Polishing pads <ul style="list-style-type: none"> Use Cleaning Machine with dry tan polishing over dry scrub brushes to renew luster 	Buff <ul style="list-style-type: none"> Use The Cleaning Machine with Felt pads to obtain high gloss on floor finish. 	Touch-ups <ul style="list-style-type: none"> To remove superficial dirt on floor finish mop using Neutral Cleaner. Polish with The Cleaning Machine using dry Tan Polishing Pads to remove scuff marks. 	
	All Purpose Neutral Cleaner <ul style="list-style-type: none"> Dilute the Neutral Cleaner in tank as indicated on bottle. Use Cleaning Machine with tan cleaning Pads. Mop and dry. Continue with step 2. 		Buff <ul style="list-style-type: none"> Use The Cleaning Machine with Felt pads to obtain high gloss on floor finish. 	Touch-ups <ul style="list-style-type: none"> To remove superficial dirt on floor finish mop using Neutral Cleaner. To remove scuff marks on floor finish use The Cleaning Machine with Tan Polishing Pads and Buff with Felt Pads once a week. 	
	Dry Foam Rug Shampoo <ul style="list-style-type: none"> Dilute Koblenz Dry Foam Shampoo in tank as indicated on the bottle. Snap on white bristle shampoo brushes. Guide The Cleaning Machine with movements from side to side. Use dispensing trigger on machine to release the correct amount of shampoo. Do not soak. Pretreat tough stains on carpets with Koblenz Carpet Spotter. After carpet is dry vacuum to pick up crystallized dirt debris. 			Touch-ups <ul style="list-style-type: none"> The shampoo may be used for quick touch-ups on carpets or upholstery. 	

ESPAÑOL		PASOS FÁCILES		The Cleaning Machine	
Tipo de Piso	Paso 1 LIMPIAR	Paso 2 PULIR	Paso 3 ABRILLANTAR	Paso 4 RETOCAR	
MADERA AZULEJOS Y VINIL MARBLE, TERRAZO Y LINOLEUM ALFOMBRAS Y TAPETES	Limpiador Neutro <ul style="list-style-type: none"> Trapear usando el Limpiador Neutro. Para una limpieza profunda: <ul style="list-style-type: none"> Diluir el Limpiador Neutro en el tanque siguiendo las instrucciones de la botella. Use su Lavapisos con los cojinetes canela. Trapeé y deje secar. Continúe con el paso 2. 	Pulir <ul style="list-style-type: none"> Use la lavapisos Koblenz con los cojinetes canela para pulir en seco. Para renovar el brillo siga con el paso 3. 	Abrillantar <ul style="list-style-type: none"> Utilice su Lavapisos Koblenz con cojinetes de lana para obtener un alto brillo. 	Retocues <ul style="list-style-type: none"> Para quitar marcas dejadas en el piso, utilice su lavapisos con cojinetes de lana o fieltro, éstos las removerán sin afectar el acabado del piso. Si tiene taconazos muy fuertes use cojinetes canela en seco. 	
	Limpiador Multiusos Concentrado <ul style="list-style-type: none"> Diluir el limpiador multiusos concentrado siguiendo las instrucciones de la botella. Use su lavapisos con cepillos de restregar o cojinetes canela o verdes. Trapeé y deje secar. Continúe con el paso 2. <p><i>Nota: Los cepillos para tallar se recomiendan para superficies con textura, los cojinetes verdes para superficies lisas.</i></p>	Pulir <ul style="list-style-type: none"> Use la lavapisos Koblenz con los cojinetes canela para pulir en seco. Para renovar el brillo siga con el paso 3. 	Abrillantar <ul style="list-style-type: none"> Utilice su Lavapisos Koblenz con cojinetes de fieltro para obtener un acabado perfecto en sus pisos. 	Retocues <ul style="list-style-type: none"> Para dar mantenimiento y dejar su piso como recién encerado, recomendamos trapear utilizando nuestro limpiador neutro. Elimine marcas limpiando con los cojinetes canela. 	
	Limpiador Neutro <ul style="list-style-type: none"> Diluir el Limpiador Neutro en el tanque siguiendo las instrucciones de la botella. Use su lavapisos con los cojinetes canela o verdes. 	Pulir <ul style="list-style-type: none"> Use la lavapisos Koblenz con los cojinetes canela para pulir en seco. Para renovar el brillo siga con el paso 3. 	Abrillantar <ul style="list-style-type: none"> Utilice su Lavapisos Koblenz con cojinetes de fieltro para obtener un acabado perfecto en sus pisos. 	Retocues <ul style="list-style-type: none"> Para dar mantenimiento y dejar su piso como recién encerado, recomendamos trapear utilizando nuestro limpiador neutro. Pula utilizando los cojinetes canela para remover marcas del piso. 	
	Shampoo para Alfombras <ul style="list-style-type: none"> Diluya el Shampoo según las indicaciones de la botella. Utilice su lavapisos con cepillos blancos para alfombras. Guíe la lavapisos con movimientos circulares sobre la alfombra. Utilice el despachador de líquidos de la lavapisos para dosificar la cantidad correcta de shampoo. 	Deje Secar <ul style="list-style-type: none"> Después de lavar con shampoo deje secar, preferentemente durante la noche. 	Aspirar <ul style="list-style-type: none"> Aspire los residuos de suciedad de su alfombra. 	Retocues <ul style="list-style-type: none"> Utilice su Lavapisos con el Shampoo para Alfombras para dar mantenimiento a sus alfombras y tapetes en áreas específicas, sin necesidad de limpiar toda su alfombra. 	

WARRANTY

This warranty gives you specific legal rights, and you may also have other rights which vary from state to state.

This product is warranted against malfunctions and defects in material and workmanship for period of one year for domestic use and ninety days for commercial use.

THIS WARRANTY SHALL NOT APPLY to any products or parts there of which have been damaged by tampering, misuse or abuse or which have been altered or repaired by an unauthorized person on service center.

THIS WARRANTY SHALL NOT APPLY to brushes, since the length of their life depends upon the amount of use.

FOR REPAIR, the inoperative machine must be delivered with shipping and delivery charges prepaid, together with satisfactory evidence of the purchase date to the dealer from whom it was purchased. Koblenz will either repair or replace, at its selection, all defective machines during the warranty period.

THE FOREGOING OBLIGATIONS ARE LIEU OF ALL OTHER OBLIGATIONS AND LIABILITIES INCLUDING NEGLIGENCE AND STATE KOBLENZ'S ENTIRE AND EXCLUSIVE LIABILITY AND PURCHASER'S EXCLUSIVE REMEDY. KOBLENZ WILL IN NO EVENT BE LIABLE FOR ANY DIRECT, INDIRECT, SPECIAL, INCIDENTAL, OR CONSEQUENTIAL DAMAGES OR LOSSES WHATSOEVER, AND KOBLENZ LIABILITY UNDER NO CIRCUMSTANCES WILL EXCEED THE CONTRACT PRICE FOR GOODS OR PARTS FOR WHICH LIABILITY IS CLAIMED.

Some states do not allow the exclusion or limitation of incidental or consequential damages, so the above limitation or exclusion may not apply to you.

THORNE ELECTRIC, CO.
P.O. BOX 18363
SAN ANTONIO, TX. 78218-0363
U.S.A.
TEL: (210) 590 1226
FAX: (210) 590 1258

**SERVICE CENTER AND
PARTS INFORMATION
CALL TOLL FREE:
TEL: 1 (888) 647 1433**

**CANADIAN CALL
COLLECT:
TEL: (210) 590 1226**

Made in Mexico

GARANTÍA

KOBLENZ ELÉCTRICA, S.A. DE C.V. garantiza este producto por término de un año en todas sus partes y mano de obra contra cualquier defecto de fabricación a partir de la fecha de entrega y tratándose de productos que requieran de enseñanza o adiestramiento en su manejo de instalación de aditamentos, accesorios, implementos o dispositivos a partir de la fecha en que hubiera quedado operando normalmente después de su instalación en el domicilio que señale el consumidor bajo las siguientes condiciones:

1. Para hacer efectiva la garantía, no deben exigirse mayores requisitos que la presentación del producto acompañado de la póliza correspondiente debidamente sellada y fechada por el establecimiento que lo vendió o la factura, recibo o comprobante, en el que consten los datos específicos del producto objeto de la compraventa.
Nota: Si el sello del establecimiento que lo vendió no especifica la fecha en la que el consumidor recibió el producto, el consumidor deberá presentar la factura, recibo o comprobante objeto de la compraventa respectiva.
2. La empresa se compromete a reparar o cambiar el producto así como las piezas y componentes defectuosos del mismo sin ningún cargo para el consumidor. Los gastos de transportación que se deriven de su cumplimiento serán cubiertos por el fabricante o importador.
3. El tiempo de reparación en ningún caso será mayor de 30 días, contados a partir de recepción del producto en cualquiera de los sitios en donde pueda hacerse efectiva ésta garantía.
4. En cualquiera de los centros de servicio autorizados podrá adquirirse consumibles, refacciones y partes.
5. Este producto es exclusivo para uso doméstico. No es para uso comercial o industrial.

ESTA GARANTÍA NO ES VÁLIDA EN LOS SIGUIENTES CASOS:

- a) Cuando el producto ha sido utilizado en condiciones distintas de las normales.
- b) Cuando el producto no ha sido operado de acuerdo con el instructivo de uso en idioma español proporcionado.
- c) Cuando el producto ha sido alterado o reparado por personas no autorizadas por la empresa.

El consumidor podrá solicitar que se haga efectiva la garantía ante la propia casa comercial donde adquirió el producto.

NOTA: En caso de que la presente garantía se extraviara, el consumidor puede recurrir a su proveedor para que le expida otra póliza de garantía previa presentación de la nota o factura respectiva.

Producto _____
Marca _____
Modelo _____
No. de serie _____
Nombre del Distribuidor _____
Calle y Número _____
Colonia o poblado _____
Ciudad / Código Postal _____
Fecha de Entrega _____
Sello y Firma _____

Fabricado por:

Koblenz Eléctrica, S.A. de C.V.

Av. Ciencia No. 28. Fracc. Industrial Cuamatla

Cuautitlán Izcalli Edo. de México, C.P. 54730

IMPRESO EN MÉXICO

CENTROS DE SERVICIO

México, D.F.	5864-0385	5864-0386
Guadalajara, Jal.	01800-711-8046	01800-711-8047
Monterrey, N.L.	01800-711-8114	01800-712-7714

Para mayores informes sobre un centro de servicio autorizado llame sin costo al 01 800 849 4711
ó enviar un e-mail a: servicio@koblenz-electric.com

SERVICIO Y REFACCIONES EN TODA LA REPÚBLICA

Visite nuestro sitio de internet: www.koblenz.com.mx