



Digital TV Converter Box

NT-54



Instruction Manual

Please read carefully before use and keep for future reference.

Table of Contents

Thank You	3	Recording and Timeshifting Programs.....	26
In the Box	3	Start Recording	26
At a Glance.....	4	Exit Record Mode.....	27
Main Unit.....	4	PVR Files	27
Remote Control.....	6	Scheduled Recording	27
Installing or Replacing the Batteries.....	9	Timeshifting	29
Using the Remote Control	10	Warnings and Precautions	30
Connections	11	Troubleshooting	34
RF In (Antenna).....	11	Specifications	36
RF Out	12	Support	36
HD Out	13		
VIDEO Out	14		
Connect Power	16		
Getting Started for the First Time	17		
System Menu	18		
Program Options.....	19		

Thank You

We know you have many choices when it comes to technology; thank you for choosing us here at Naxa Electronics. Established in 2001 in Los Angeles, California, we are dedicated to delivering products that entertain and delight.

We trust that you will be happy with your purchase. Please read this manual carefully and save it for reference. You may also find the latest FAQ, documentation, and other product material at our website. Come visit us on the web at www.naxa.com and see all that we have to offer!

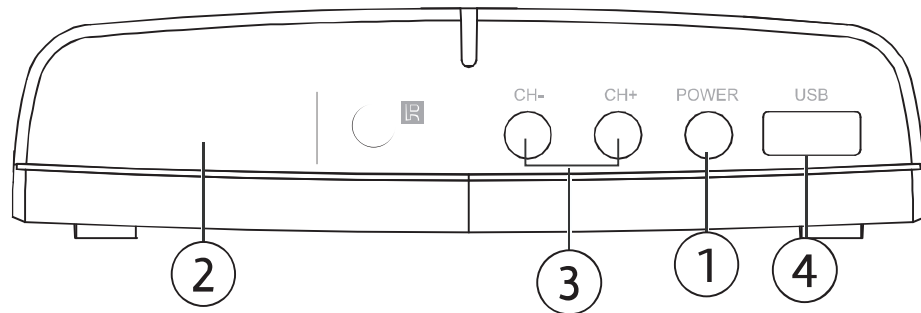
In the Box

Please take a moment to make sure that you have everything in the list below. Although we make every effort to ensure that each Naxa device is securely packed and sealed, we know a lot can happen in between us and you. If anything is missing, check back with your local retailer to get immediate assistance. If they cannot help you, please contact our Naxa Support team at www.naxa.com/naxa_support.

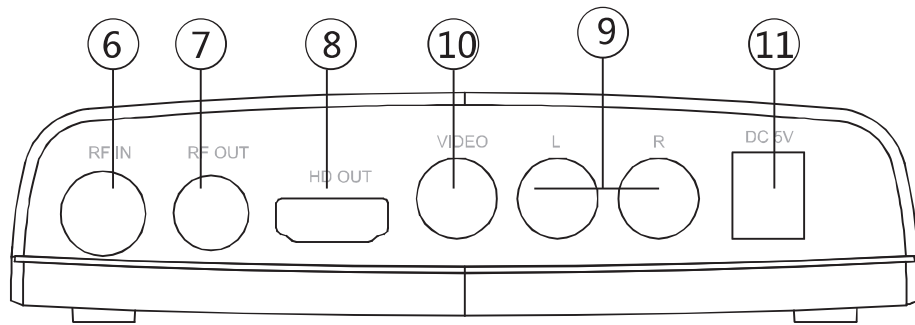
- NT-54
- AC power adapter
- Remote control
- Battery
- A/V cable

At a Glance

Main Unit

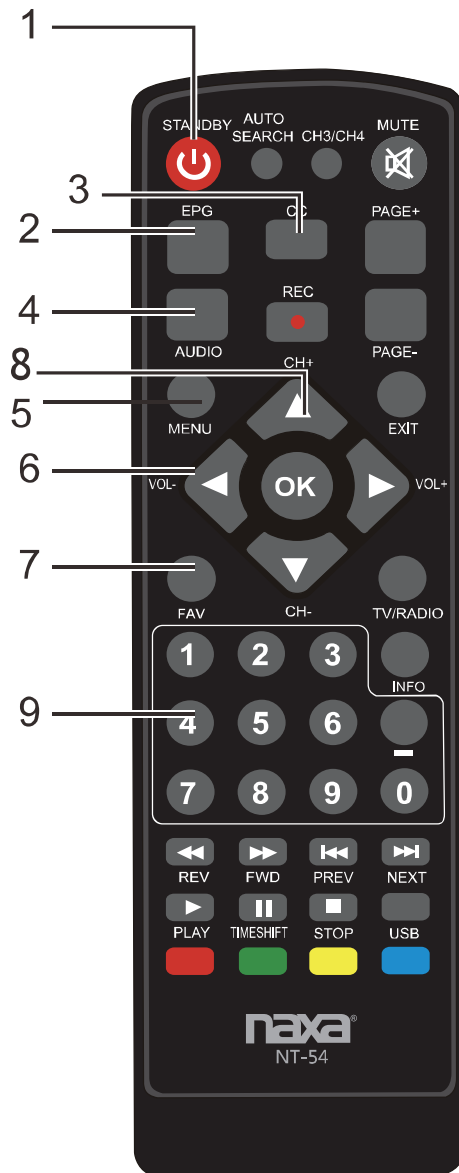


1	POWER button	Press to turn the unit on or off.
2	Power indicator	No lights when on. Lights red when in standby mode(i.d.,off);
3	CH+ / CH-	Press to change the channel up or down, respectively. Press to browse up or down on menu screens.
4	USB port	Load USB memory sticks here. The USB port is designed for media playback from flash memory devices. It is not designed to charge high-power devices.

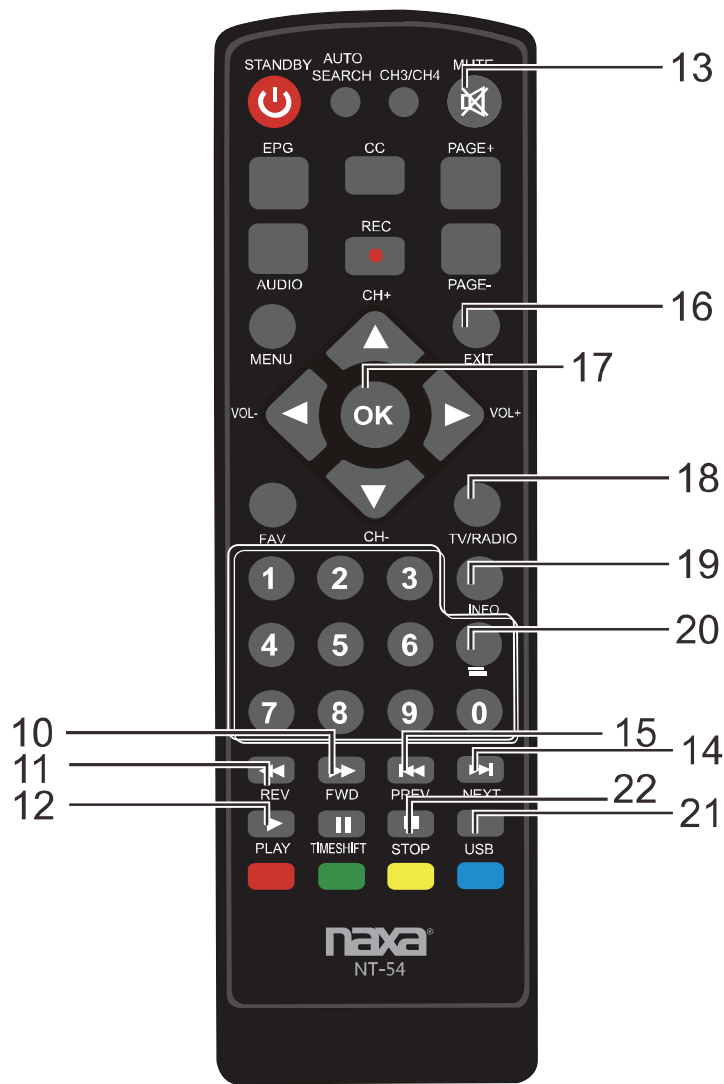


6	RF IN	Accepts an audio/video signal from an external antenna.
7	RF OUT	Outputs an audio/video signal to a TV or other video system.
8	HD OUT	Outputs a digital audio/video signal to a TV or other video system.
9	L, R	Outputs a stereo audio signal to a receiver, amplifier, or other audio system.
10	VIDEO	Outputs a composite video signal to a TV or other video system.
11	DC 5V	Power connector.

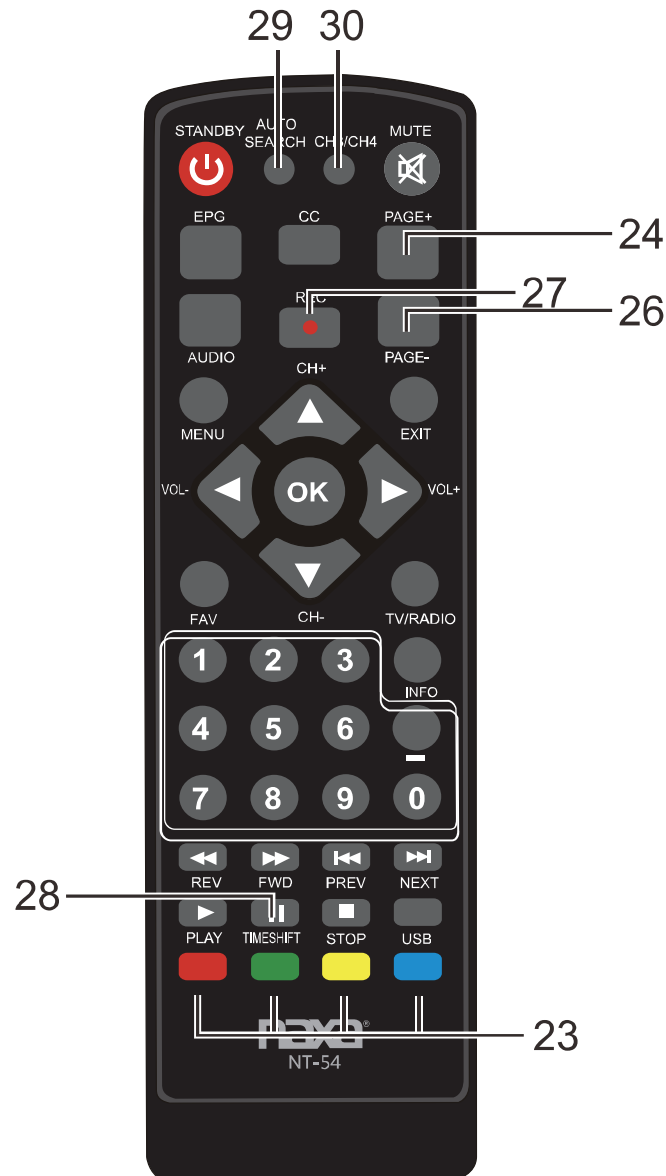
Remote Control



1	STANDBY	Turn the unit on or to place it in standby mode (i.e., off).
2	EPG	View the Electronic Program Guide screen.
3	CC	Change the closed caption options.
4	AUDIO	Change the audio mode or audio language.
5	MENU	View the options menu.
6	◀▶ VOL+/VOL-	Browse items within a menu. Adjust the volume level.
7	FAV	View (or edit) the favorite channels list.
8	▲▼ CH+/CH-	Browse items within a menu and change up and down channels.
9	0-9 -	Keypad used to enter a channel number or a numeric option within a menu. Use the dash to tune to a channel substation (e.g., press 4, then —, then 2 to tune to channel 4-2).



10	▶▶ FWD	Scan forward during playback.
11	◀◀ REV	Scan in reverse during playback.
12	▶ PLAY	Start media playback.
13	MUTE	Disable or reenble the sound.
14	▶▶ NEXT	Skip to the next track during playback.
15	◀◀ PREV	Skip to the previous track during playback.
16	EXIT	Leave the current menu or return to the previous menu screen.
17	OK	Confirm the selection of an item.
18	TV/RADIO	Switch between TV and radio modes.
19	INFO	View information about the current program.
20	—	Use the dash to tune to a channel substation (e.g., press 4, then —, then 2 to tune to channel 4-2).
21	USB	View the content of a USB storage drive.
22	■ STOP	Stop playback.



23	RED/GREEN/ YELLOW/ BLUE	Triggers functions labeled by each respective color within a TEXT screen.
24	PAGE+	Go forward quickly within a menu.
26	PAGE-	Go backward quickly within a menu.
27	REC	Start recording. Recording requires a connected USB memory device.
28	 TIMESHIFT	Pause or resume media playback, or pause live TV (Timeshift). Timeshifting requires a connected USB memory device.
29	AUTO SEARCH	Automatically search for available TV channels.
30	CH3/CH4	Switch between output on channel 3 or channel 4 when using the RF OUT connection.

Installing or Replacing the Batteries

The remote control requires 2 x “AAA” batteries to function. Alkaline batteries are recommended.

1. Find the battery compartment door the back of the remote control. Press in on the tab to release the door.
2. Load 2 new “AAA” size batteries into the battery compartment. Make sure to match the “+” and “-” battery polarities with the markings found inside the compartment.
3. Replace the battery compartment door.



Use only the size and type of batteries specified.

Be sure to match the positive and negative poles of the battery with the positive and negative terminals of the battery compartment. Reversed or other improper installation can damage the device and other property.

Do not install different types of batteries together (e.g., alkaline with carbon-zinc

or nickel metal hydride). Do not install old batteries together with new ones.

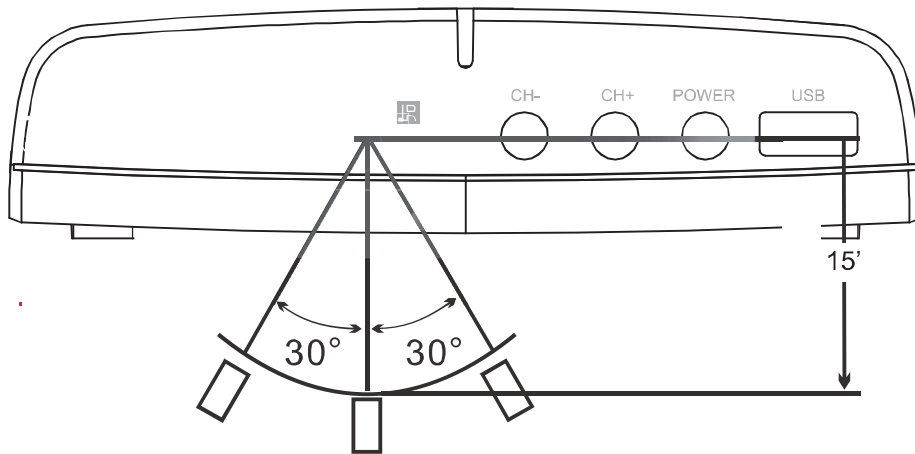
If the device will not be in use for a long time, remove the batteries prevent battery leakage. Battery leakage can cause injury and damage to your device and property.

Always follow directions provided by the battery manufacturer. Do not charge batteries that are not intended to be re-charged; doing so can cause the batteries to overheat and rupture.

Do not incinerate batteries or otherwise apply heat to them; they may explode or leak.

Using the Remote Control

Aim the IR emitter of the remote control at the remote sensor and then press a key. The remote control will work within 15 feet of the remote sensor and at an angle less than 30 degrees from the center line.



i Obstacles between the remote control and the sensor may interfere with the signal.

Direct sunlight, incandescent or fluorescent lamps, and other strong light sources may interfere with the signal.

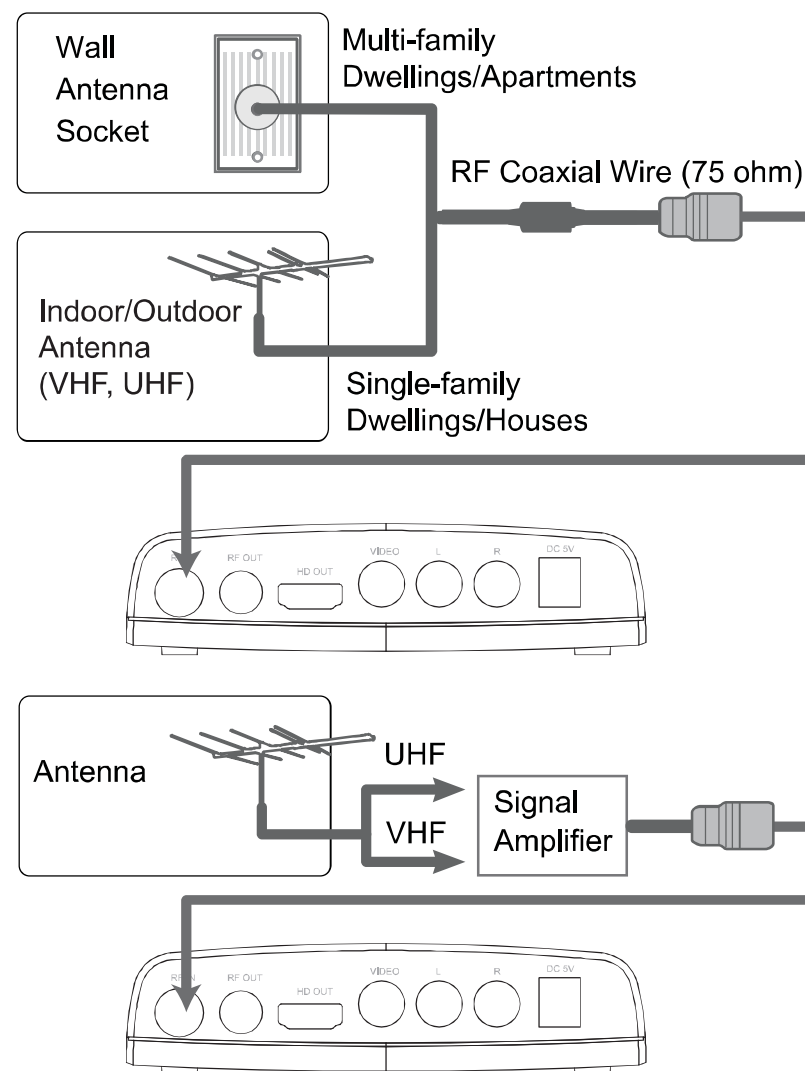
Connections

Do not connect the power until **all** other connections have been made.

RF In (Antenna)

This connection accepts a 75 ohm coaxial audio/video signal from an external antenna. An antenna is required to receive over-the-air TV signals.

i The number of TV channels available to you is affected by the size and type of an antenna as well as your location and distance from TV broadcast towers. The Consumer Electronics Association and the National Association of Broadcasters have created a website that can help you choose the right antenna for your location; visit www.antennaweb.org to find out more.



- Connect TV RF sources to the RF In connector. In poor signal areas, it may be necessary to use a signal amplifier.

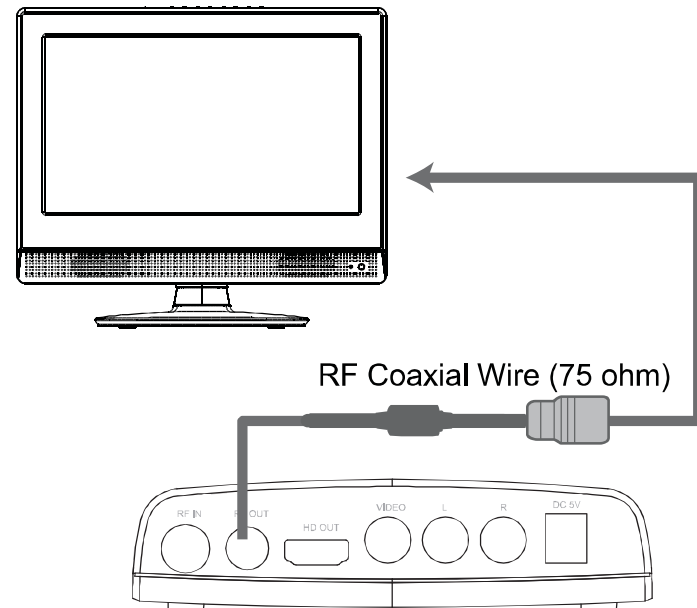
i *Flat antenna cables require a 300–75 ohm conversion adapter to work with the RF In connector.*

- If signal needs to be split for two TVs, you may use an antenna signal splitter.

! *Disconnect power before making this and any other connection.*

RF Out

This connection can send an audio/video signal to a TV or other video system (e.g., a DVR or VCR) equipped with a coaxial RF connector.

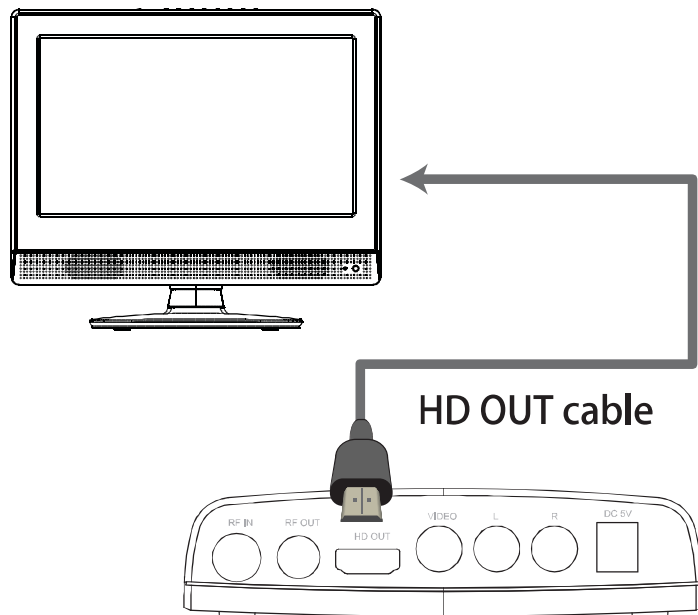


i *Refer to your TV's instructions to learn more about using its RF connector. You may need to tune to channel 3 or 4.*

! *Disconnect power before making this and any other connection.*

HD Out

This connection can send a high-definition audio/video signal to a TV or other video system (e.g., a DVR or VCR) equipped with an HD OUT connector.



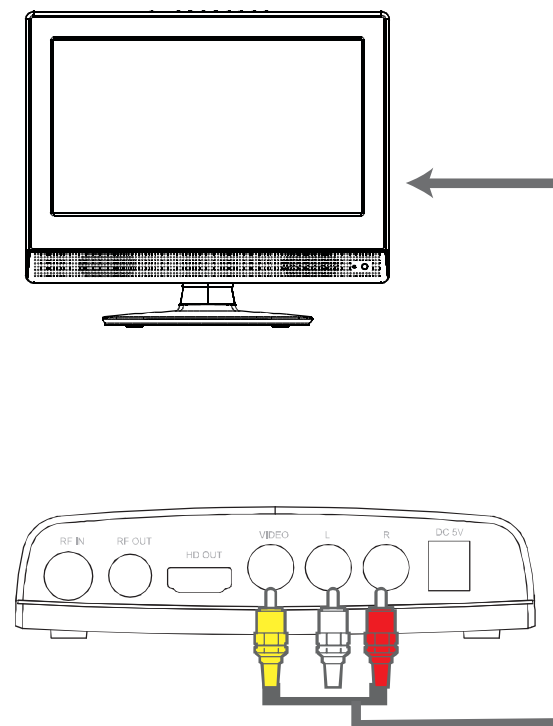
Refer to your TV's instructions to learn more about using its HD OUT connector.



Disconnect power before making this and any other connection.

VIDEO Out

This connection can send video and audio signals to a TV or other video system (e.g., a DVR or VCR) equipped with composite video and stereo audio connectors.



- Make the VIDEO connection with the yellow plug of an A/V cable.

- Make the L/R audio connection with the white and red plugs of an A/V cable.



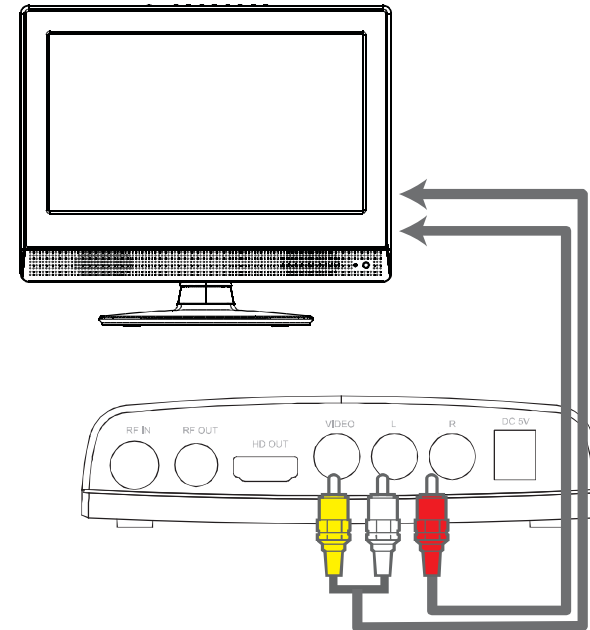
The L/R audio connectors are shared with the VIDEO (composite video) connector.



Disconnect power before making this and any other connection.

VIDEO Out

This connection can send video and audio signals to a TV or other video system (e.g., a DVR or VCR) equipped with composite video and stereo audio connectors.



- Make the VIDEO connection with the yellow plug of an A/V cable.
- Make the L/R audio connection with the white and red plugs of an A/V cable.

- Make the L/R audio connection with the white and red plugs of an A/V cable.



Refer to your TV's instructions to learn more about using its composite video and stereo audio connectors.



Disconnect power before making this and any other connection.

Adjust the volume level with the digital audio receiver.

If you can not hear anything after a coaxial connection, set the SPDIF option to PCM via the “Audio” TV system menu.



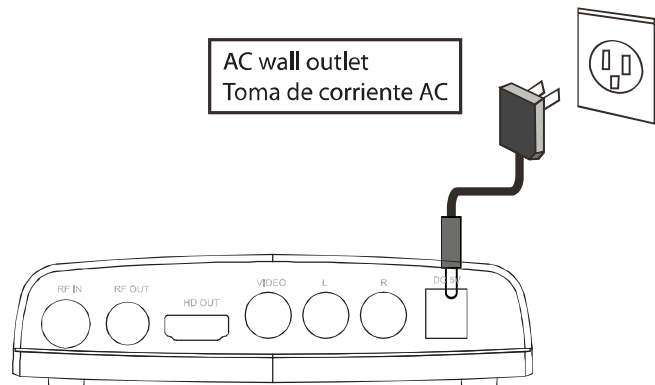
Disconnect power before making this and any other connection.

Connect Power

The unit can be powered from an AC wall outlet with the use of the included AC power adapter.



Make all other connections before connecting power.



- Connect the two-pronged end of the adapter to a household power outlet.
- Connect the barrel plug end of the adapter to the Power socket [xx] of the unit.



The adapter supports AC 100–240V power only.

Do not connect the power adapter to a power outlet other than that which is indicated here or on the label as this may result in the risk of fire or electric shock.

Do not handle the power plug with wet hands. Doing so may cause electric shock. Do not use the adapter with any other power source.




The AC/DC adapter is intended to be used in a vertical or floor-mount position.

Getting Started for the First Time

Make sure that all connections have been properly made and that the power is connected, then turn on the TV and the converter box.

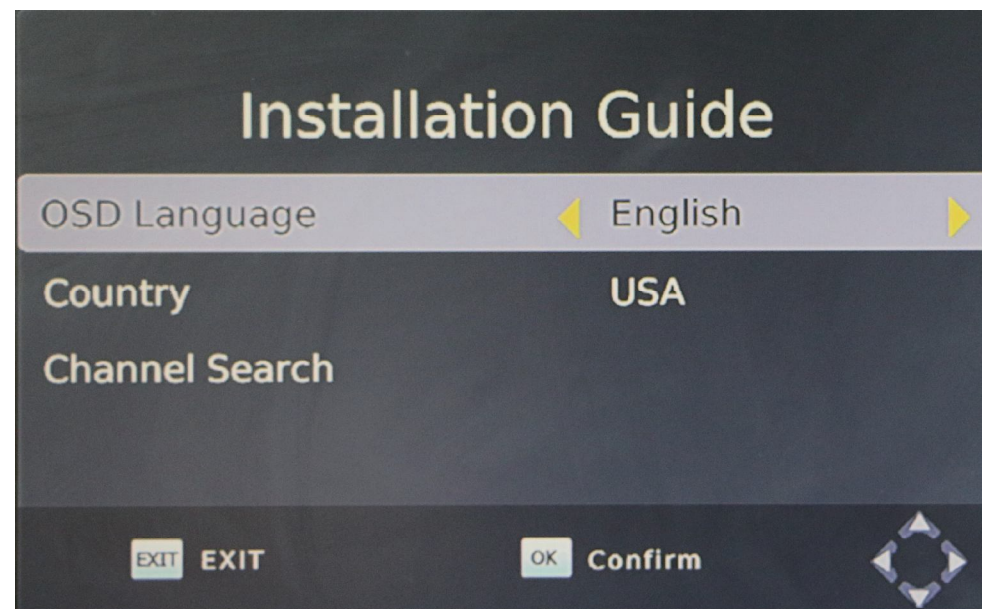
Set the your TV's Input mode to match the video connection type from the converter box (e.g., HD OUT, component, or composite).

 *Your TV may have a different name for these connections; please refer to your TV's instructions to learn more.*

An installation guide will appear on the screen the first time the converter box is turned on or if you have just restored all settings to their factory-default options.

- Press UP/DOWN to select a menu item.
- Left and right arrows indicate that a selected menu item can be adjusted. Press LEFT/RIGHT to adjust the menu item setting.

- Press OK to confirm your changes; press EXIT to cancel.




OSD Language	Sets the default language used for the on-screen display.
Country	Set the country that you are using the converter box in.

Channel Search

Automatically find channel signals within reception range and save them to the default channel list. This list determines which channels are available when you press CH+ or CH-.

You MUST perform this channel search before watching TV.

 *These options can also be found and adjusted in the system menu.*

System Menu

Press MENU on the remote control to access the System menu.



- Press UP/DOWN to select a menu item.
- Left and right arrows indicate that a selected menu item can be adjusted. Press LEFT/RIGHT to adjust the menu item setting.
- Press OK to confirm your changes; press EXIT to cancel.

Program Options

Program Edit

Edit your channel program preferences. This menu is protected by a passcode; enter the default passcode **000000**.



Select a channel/program, then:

MOVE: Press [01], then press UP/DOWN to move the position of the program when the move indicator appears. Press OK to confirm.

SKIP: Press [02] to mark the program to be skipped in the channel list.

LOCK: Press [03] to require a passcode to view a program. A lock indicates that the channel is locked. The default passcode is **000000**.

Program Edit (continued)

DELETE: Press [04] to remove a program from the channel list.

FAV: Press [FAV] to mark a program for inclusion in the Favorite Channels list. A star indicates that the program is a favorite.

RENAME: Press [Green] to edit the program name. Use the on-screen keyboard to type a new name.

EPG

View the Electronic Program Guide. This guide shows seven days of channel schedule information.

Press UP/DOWN to browse the list. Press [Green] to move up a page. Press [Red] to move down a page. You can also quickly access the EPG by pressing [EPG] on the remote control.

Sort

Change the order of the program channels.

LCN: Display by Logical Channel Number.

Service Name: Display in alphabetical order.

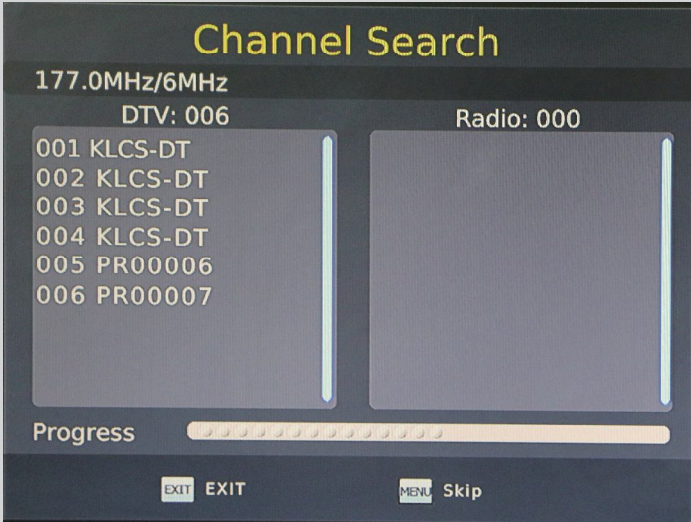
Service ID: Display by station identification.

ONID: Display by original network identification.

Picture Options

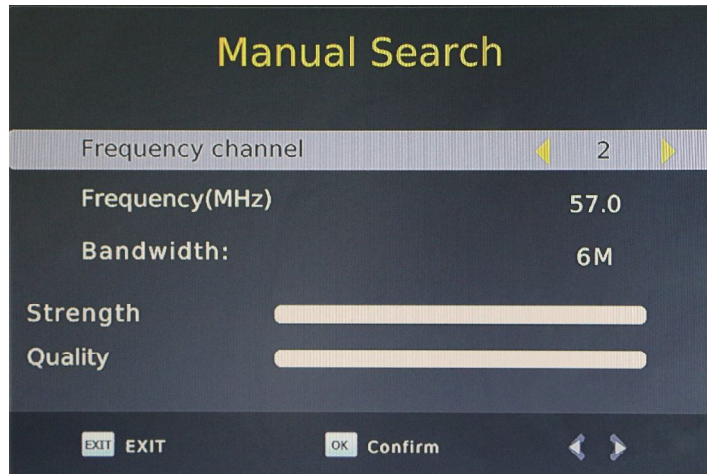
Aspect Ratio	<p>Adjust how the TV scales different types of program formats.</p> <p><i>Note: The aspect ratio mode that looks best will depend on the type of program you are watching. Try finding an aspect ratio that does not stretch or otherwise distort the picture.</i></p>
Resolution	<p>Set the resolution of the output signal to match the native resolution of your TV. Refer to the TV's instructions to learn about its native resolution.</p> <p><i>Note: The maximum resolution is 1080p. Do not set the resolution higher than your connection type or TV can support.</i></p>
TV Format	<p>Set the picture format to match the format of older TVs. The TV format used differs by geographic location.</p> <p>NTSC: Areas include North America, Central America, and parts of South America.</p> <p>PAL: Areas include parts of South America, Europe, China, Australia, and parts of Africa.</p>

Channel Search Options

Auto Search	<p>Automatically detect available channels and create a Channel list. This will override the existing Channel list.</p>  <ul style="list-style-type: none">• Select Auto Search and then press OK.• Press EXIT to cancel the search.
-------------	--

Manual Search

Add channels to the Channel list manually without overriding the existing Channel list.



- Select Manual Search and then press OK.
- On the Manual Search screen, you can select a channel and adjust its Frequency and Bandwidth. The Quality bar indicates the strength of the signal.

Signal Type

Set the antenna system that will be used with the TV.

- Select Air if you are using an antenna to receive over-the-air TV broadcasts.
- Select Cable if you are using a cable TV system.

Modulation Set the analog passthrough options for the RF connector.

CH ON: Output converted digital TV signals to the RF connector (CH3 or CH4).

Loop through: Output both converted TV signals as well as any analog TV signals to the RF connector (CH3 or CH4).

Time Options

Time Offset

Choose how the local time zone is set.

Auto: Obtain time zone information automatically from an antenna signal.

Manual: Use the Time Zone option setting below.

Country Region

Set the local country region.

Time Zone

Set the local time zone. This option is only available when **Time Offset** is set to "Manual".

Sleep

Set a sleep timer. The TV will turn off automatically when the timer ends. Set this option to "Off" to disable the Sleep timer.

Power On/Off

Set a time for the unit to turn on or off automatically.



- Select **Power On/Off** and then press **OK**.
- Set **Power On** to “Enable”, then set the **Power On Time**.
- Set **Power Off** to “Enable”, then set the **Power Off Time**.
- Press **EXIT** to return to the previous screen.

Option Options

OSD Language

Set the language used by the system menu and other on-screen display elements.

Close Caption

Adjust how closed caption text appears on screen.

CC Display: CC OFF, CC 1, CC 2, CC 3, CC 4, CC 5, CC 6.

CC Position: Auto, Top, Bottom.

Font Size: Default, Small, Medium.

Font Color: Default, White, Black, Red, Green, Blue, Yellow, Magenta, Cyan.

BG Color: Background color. Default, White, Black, Red, Green, Blue, Yellow, Magenta, Cyan.

CC Transparency: Default, Solid, Translucent, Transparent.

Audio Language

Set the preferred audio language when an alternate language track is available (e.g., SAP).

Note: The default language will be used if the selected language is not available in the broadcast.

System Options

Digital Control	<p>Set which types of programs are allowed. Options are available depending on the type of broadcast. This option is password protected; the default password is 000000.</p> <p>TV Ratings</p> <ul style="list-style-type: none">• TV-MA: Mature audience only• TV-14: Not intended for ages under 14• TV-PG: Parental guidance suggested• TV-G: General audience• TV-Y7: For children age 7 and above.• TV-Y: All children <p>MPAA</p> <ul style="list-style-type: none">• X: For adults only• NC17: Not intended for ages under 17• R: Restricted• PG-13: Not intended for ages under 13• PG: Parental guidance suggested• G: General audience
------------------------	---

Set Password	<p>Set or change the password. This option is password protected; the default password is 000000.</p> <ul style="list-style-type: none">• Enter the new password. You will be asked to enter it again to confirm.• Press EXIT to return to the previous menu. <p><i>IMPORTANT: Make a record of the password and keep it safe. The password cannot be reset or recovered.</i></p>
---------------------	--

Restore Factory Default	<p>Return all system options to the factory-default settings. All channel lists, favorites, and presets will be lost.</p> <p>This option is password protected; the default password is 000000.</p>
--------------------------------	--

Information	<p>Display model number, hardware version, and software version information.</p>
--------------------	--


Software Update	<p>Update the system firmware from the USB connection. Software updates should only be performed by Naxa-approved technicians. Improperly updating the software can render the unit non-functional.</p>
------------------------	---

USB Options

Select **Multimedia** to play files from USB memory devices. You may also adjust photo and movie playback options, as well as PVR (recording) options.



A compatible USB memory device must be connected to the USB port. If no USB device is connected, the unit will report that “No USB Device is Found.”

 *USB devices must use the FAT, FAT32, or NTFS file systems.*

Naxa cannot guarantee compatibility with all USB mass storage devices. Some devices may not be recognized by this unit.

Naxa is not responsible for any loss of data that may occur when connected to this unit. Do not use this device with a USB device that stores mission-critical or other important data. Naxa recommends adherence to a regular data backup regimen.

The system requires time to identify the contents of a USB device. Very large USB devices that contain lots of files will require more time.

Some file extensions that appear to be supported may not be recognized by the system if the codec is incompatible. (Multimedia files consist of both a container type and an underlying codec. The container type is usually identified with a file extension (e.g., MP3, MP4, AVI). However, a single container type may support different codec formats.)

Multimedia	<p>Play multimedia files from a connected USB memory device.</p> <ul style="list-style-type: none"> • Select Music, Photo, Video, or PVR to find a file to play. • Select a file and press OK to start playback.
Photo Configure	Set photo file playback options: Slide Show Interval, Slide Mode, Aspect Ratio.
Movie Configure	Set movie file playback options: Size, Subtitle Background Color, Subtitle Font Color.
PVR Configure	<p>Set PVR (recording) options.</p> <p>Information: Displays storage details about the USB memory device.</p> <p>Format: Resets the USB device and makes sure that it uses a file system recognized by the unit. THIS PROCESS WILL DESTROY ALL FILES ON THE USB DEVICE.</p>

Record	<p>Start recording the current TV program to a connected USB memory device. Recordings are saved as PVR files.</p> <ul style="list-style-type: none"> • Press INFO to display recording information. • Press [BLUE] to schedule a recording. • Press [RED] to add a schedule. You can adjust the start/end time, record/view, etc. <p>You can also press REC on the remote control to start recording.</p> <p>You can also schedule recordings from the EPG screen. Press EPG on the remote control to view the EPG screen.</p> <p><i>Note: The USB device must support USB 2.0 speeds for proper recording.</i></p>
--------	---



To learn more about the PVR (Recording) functions, please refer to the Recording and Timeshifting Programs section of this manual.

Recording and Time-shifting Programs

Recording with the PVR and timeshifting requires a compatible USB memory device to be connected to the unit.



The USB device must support USB 2.0 speeds for proper recording.

USB devices must use the FAT, FAT32, or NTFS file systems.

Naxa cannot guarantee compatibility with all USB mass storage devices. Some devices may not be recognized by this unit.

Naxa is not responsible for any loss of data that may occur when connected to this unit. Do not use this device with a USB device that stores mission-critical or other important data. Naxa recommends adherence to a regular data backup regimen.

Start Recording

Press REC on the remote control. The system will display the message “Enter Record Waiting...” When the system is recording, you will see a record icon and the elapsed record time on the screen.



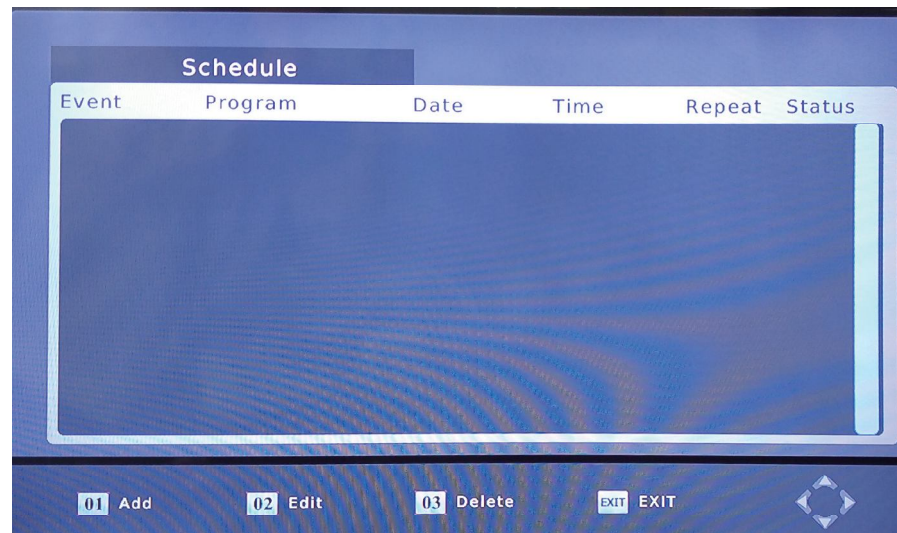
Exit Record Mode

Press STOP on the remote control. The system will ask for confirmation: "Do you want to stop record". Press OK to stop recording, or press EXIT to continue recording.



Scheduled Recording

Press [BLUE] while watching a TV channel to display the Schedule screen.



PVR Files

The first time you record a show, the unit will create a folder on the USB root directory named "PVR." All PVR recordings are saved in this folder. Recording files will be named with the time of the recording.

Press [01] to display the Add screen.



Use the UP/DOWN and LEFT/RIGHT keys to set the schedule options. Lastly, set the **Mode** option to “Record.”



Press OK to finish adding the scheduled recording. The system will return to the Schedule screen and include the newly scheduled recording.


Timeshifting

While a show is recording, press *Timeshift* to enter Timeshift mode. A transport bar will appear on the screen.





When Timeshift mode is active, you can pause the program, or scan forward and reverse just like you would if you were playing a recorded video.

- To remove the transport bar from the screen while staying in Timeshift mode, press EXIT once. To restore the transport bar, press INFO.
- To exit Timeshift mode, press STOP.

 Another way to start Timeshift mode is to simply press *Timeshift* while watching a TV program.

Warnings and Precautions

	CAUTION WARNING: SHOCK HAZARD. DO NOT OPEN. AVIS: RISQUE DE CHOC ELECTRIQUE. NE PAS OUVRIR	
CAUTION: TO REDUCE THE RISK OF FIRE AND ELECTRIC SHOCK, DO NOT REMOVE THE COVER (OR BACK) OF THE UNIT. REFER SERVICING ONLY TO QUALIFIED SERVICE PERSONNEL.		



The lightning flash with arrowhead symbol within an equilateral triangle is intended to alert the user to the presence of uninsulated “dangerous voltage” within the product’s enclosure that may be of significant magnitude to constitute risk of electric shock



The exclamation point within an equilateral triangle is intended to alert the user to the presence of important operation and servicing instructions in the literature accompanying the appliance.

CAUTION

- Do not block the ventilation openings or holes.
- Do not place any naked flames (such as lighted candles) on the apparatus.
- When discarding batteries, follow all local rules and laws governing the disposal of batteries. Consider the environmental impact of your actions!
- Invisible laser radiation when open and interlock has failed or been

defeated. Avoid direct exposure to beam.

- To prevent fire or shock hazard, do not expose this appliance to rain or moisture.

Important Safety Information

1. Read Instructions: All the safety and operating instructions should be read before the product is operated.
2. Retain Instructions: The safety and operating instruction should be retained for future reference.
3. Heed Warnings: All warnings on the product and in the operating instructions should be adhered to.
4. Follow Instructions: All operating and usage instructions should be followed.
5. Cleaning: Unplug this product from the wall outlet before cleaning. Do not use liquid cleaners or aerosol cleaners. Use a damp cloth for cleaning.
6. Attachments: Use only attachments recommended by the manufacturer. Use of other attachments may be hazardous.
7. Water and Moisture: Do not use this product near water (e.g., near a bathtub, washbowl, kitchen sink, laundry tub, in wet basements, or near a swimming pool and the like).
8. Accessories: Do not place this product on an unstable cart, stand, tripod, bracket, or table. Use only with carts, stands, tripods, brackets, or tables recommended by the manufacturer or sold with the product. Any mounting of the product should follow the manufacturer’s instructions and should use a mounting accessory recommended by the manufacturer. A product and cart combination should be moved with

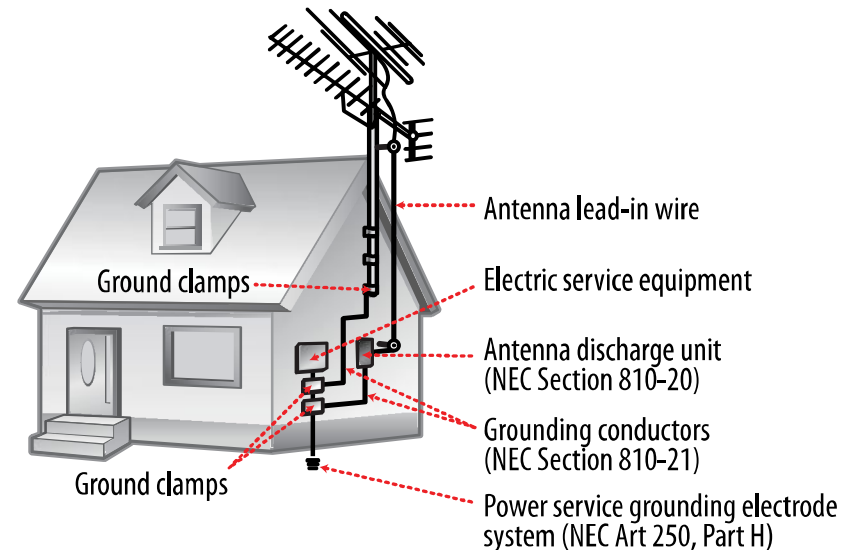
care. Quick stops, excessive force, and uneven surfaces may cause the product and cart combination to overturn.

9. **Ventilation:** Slots and openings in the cabinet are provided for ventilation to ensure reliable operation of the product and to protect it from overheating. These openings should never be blocked by placing the product on a bed, sofa, rug, or other similar surface. This product should not be placed in a built-in installation such as a bookcase or rack unless proper ventilation is provided or the manufacturer instructions have been adhered to.
10. **Power Sources:** This product should be operated only from the type of power source indicated on the rating label. If you are not sure of the type of power supply to your home, consult your product dealer or local power company. For products intended to operate from battery power or other sources, refer to the operating instructions.
11. **Grounding or Polarization:** This product may be equipped with a polarized alternating-current line plug that has one blade wider than the other. This plug will only fit into the power outlet in one direction. This is a safety feature. If you are unable to insert the plug fully into the outlet, try reversing the direction of the plug. If the plug should still fail to fit, contact an electrician to replace the obsolete outlet. Do not defeat the safety purpose of the polarized plug.
12. **Power-Cord Protection:** Power supply cords should be routed so that they are not likely to be walked on or pinched by items placed upon or against them, paying particular attention to cords at plugs, convenience receptacles, and at the point which they exit from the product.
13. **Protective Attachment Plug:** The product may be equipped with an attachment plug with overload protection. This is a safety feature. See the operating instructions for replacement or directions to reset the protective device. If replacement of the plug is required, be



sure the service technician has used a replacement plug that has the same overload protection as the original plug as specified by the manufacturer.

14. **Outdoor Antenna Grounding:** If an outside antenna is connected to the product, be sure the antenna system is grounded so as to provide some protection against voltage surges and built-up static charges. Article 810 of the National Electrical Code, ANS/NFPA 70 provides information with regard to proper grounding of the mast and supporting structure, grounding of the lead-in wire to an antenna-discharge unit, size of grounding conductors, location of antenna-discharge unit, connection to grounding electrodes, and requirements for the grounding electrode (see figure).



15. **Lightning:** For added protection for this product, unplug it from the wall outlet and disconnect the antenna or cable system during a lightning storm or when it is left unattended and unused for long periods of time. This will prevent damage to the product due to lightning or power-line surges.

16. **Power Lines:** An outside antenna system should not be located in the vicinity of overhead power lines or other electric light or power circuits, or where it can fall into such power lines or circuits. When installing an outside antenna system, extreme care should be taken to keep from touching such power lines or circuits, as contact with them might be fatal.
17. **Overloading:** Do not overload wall outlets, extension cords, or integral convenience receptacles as this can result in a risk of fire or electric shock.
18. **Object and Liquid Entry:** Never push objects of any kind into this product through openings as they may touch dangerous voltage points or short-out parts that could result in a fire or electric shock. Never spill liquid of any kind on the product.
19. **Servicing:** Do not attempt to service this product yourself as opening or removing covers may expose you to dangerous voltage or other hard-surfaced all servicing to qualified service personnel.
20. **Damage Requiring Service:** Unplug this product from the wall outlet and refer servicing to qualified service personnel under the following conditionals) when the power-supply or plug is damaged; b) if liquid has been spilled or if objects have fallen into the product; c) if the product has been exposed to rain or water; d) if the product does not operate normally by following the operating instructions. Adjust only those controls that are covered by the operating instructions as improper adjustment of other controls may result in damage and will often require extensive work by a qualified technician to restore the product to its normal operation; e) if the product has been dropped or damaged in any way; f) when the product exhibits a distinct change in performance—this indicates a need for service.
21. **Replacement Parts:** When replacement parts are required, be sure that your service technician has used replacement parts specified by the manufacturer or have the same characteristics as the original part. Unauthorized substitutions may result in fire, electric shock, or other hazards.
22. **Safety Check:** Upon completion of any service or repairs to this product,ask the service technician to perform safety checks to ensure that the product is in proper operating condition.
23. **Wall or Ceiling Mounting:** The product should be mounted to a wall or ceiling only as recommended by the manufacturer.
24. **Heat:** The product should be situated away from heat sources such as radiators,heat registers, stoves, or other products (including amplifiers) that produce heat.

WARNING:

This product contains lead, a chemical known to the State of California to cause cancer and birth defects or other reproductive harm. ***Wash hands after handling.***

FCC NOTICE

This device complies with Part 15 of the FCC Rules. Operation is subject to the following two conditions: (1) this device may not cause harmful interference, and (2) this device must accept any interference received, including interference that may cause undesired operation.

Note: This equipment has been tested and found to comply with the limits for a Class B digital device, pursuant to Part 15 of the FCC Rules. These limits are designed to provide reasonable protection against harmful interference in a residential installation. This equipment generates, uses and can radiate radio frequency energy and, if not installed and used in accordance with the instructions, may cause harmful interference to radio communications. However, there is no guarantee that interference will not occur in a particular installation. If this equipment does cause harmful interference to radio or television reception, which can be determined by turning the equipment off and on, the user is encouraged to

try to correct the interference by one or more of the following measures:

- Reorient or relocate the receiving antenna.
- Increase the separation between the equipment and receiver.
- Connect the equipment into an outlet on a circuit different from that to which the receiver is connected.
- Consult the dealer or an experienced radio/TV technician for help.

CAUTION ON MODIFICATIONS

Any changes or modifications not expressly approved by the grantee of this device may void the authority granted by the FCC to operate the equipment.



This symbol on the product or in the instructions means that your electrical and electronic equipment should be disposed of separately from your household waste at the end of its life.

There are separate collection systems for recycling. For more information, please contact the local authority or the retailer from which the product was purchased.

Troubleshooting

The unit will not turn on.

- There is no power. Please check that the AC or DC power cord is connected securely and that the outlet is providing power.
- The unit has not been turned on. Press POWER to turn the unit on.

There is no picture, the picture is distorted, or the buttons on the unit are not working.

- Static electricity may have interfered temporarily with the operation of the unit. Switch off and unplug the unit. Then reconnect the unit to power and switch it on again.
- The antenna may not be properly connected. Ensure that the RF IN antenna/cable connection is secure.
- The current station may be having broadcast difficulties. Try the station again later, or try a different station.
- The video freezes or becomes distorted (e.g., tiled or discolored). The TV signal may be too weak. You may need to amplify the signal. A larger or powered antenna may be required.
- The picture looks snowy. A snowy picture usually results from a weak signal. Adjust the antenna or install an antenna amplifier.
- The picture is doubled or looks ghostly. Double images are usually caused by signal reflections from tall buildings. Adjust the direction of the antenna, or try to elevate it.

- The picture is wavy. Wavy patterns across the screen are usually caused by nearby radio transmitters or other devices that are interfering with reception. Turn off other devices in the area.
- The picture has diagonal or herringbone interference patterns, or part of the picture is missing. This sort of interference is usually caused by high temperature electro thermal equipment. There may be a hospital nearby with this equipment. Consider finding a different location for your TV installation.

The screen displays a “No Signal” message.

- The antenna cable is improperly connected. Make sure the antenna cable is connected.
- The TV format setting is incorrect. Make sure the setting matches your TV type (e.g., NTSC or PAL).

There is no sound.

- Make sure that the audio connection is set up properly. Review the “Connections” section of this manual for guidance.
- Make sure that the MUTE function is not on.
- The audio track may be improperly set. Try changing the active audio track by press AUDIO.

There is no video on the screen but I can hear sound.

- Make sure that the video connection is set up properly. Review the “Connections” section of this manual for guidance.

The remote control is not working.

- The batteries may be exhausted. Try replacing the batteries with new ones.
- The remote control may be too far away from the sensor. Make sure there are no obstacles between the remote and the sensor.
- Bright light can diminish the operating distance of the remote. Try drawing the shades if possible or turning down the lights.

FCC NOTICE

Note: This equipment has been tested and found to comply with the limits for a Class B digital device, pursuant to Part 15 of the FCC Rules. These limits are designed to provide reasonable protection against harmful interference in a residential installation. This equipment generates, uses and can radiate radio frequency energy and, if not installed and used in accordance with the instructions, may cause harmful interference to radio communications. However, there is no guarantee that interference will not occur in a particular installation. If this equipment does cause harmful interference to radio or television reception, which can be determined by turning the equipment off and on, the user is encouraged to try to correct the interference by one or more of the following measures:

- Reorient or relocate the receiving antenna.
- Increase the separation between the equipment and receiver.
- Connect the equipment into an outlet on a circuit different from that to which the receiver is connected.
- Consult the dealer or an experienced radio/TV technician for help.

Specifications

Television Tuner	ATSC (Full HD 1080p)
Removable Memory Support	USB 2.0 (supports external drives for personal video recording & timeshifting)
Playable Media Formats	Music: MP3 Photo: JPEG, BMP Video: MKV, AVI, XVID, MOV, VOB, MPG, MPEG-2, MP4 (AVC H.264)
Input	Coaxial RF antenna
Output	Component video + audio Composite video (shared audio) Coaxial digital audio Coaxial RF with pass through

Power Source

Note: Product are improved continuously. We reserve the right to modify the product and specifications without prior notice.

Support

If you have problems with your device, please consult the instructions in this manual. Please also visit us on the web at www.naxa.com to get up to the minute news, alerts, and documentation for your device. For additional assistance, please contact Naxa Technical Support.

NAXA Technical Support

2320 East 49th St.
Vernon, CA 90058

http://www.naxa.com/naxa_support/

