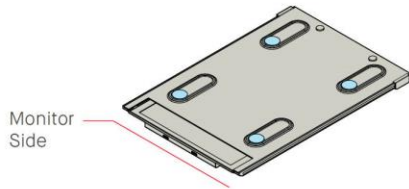
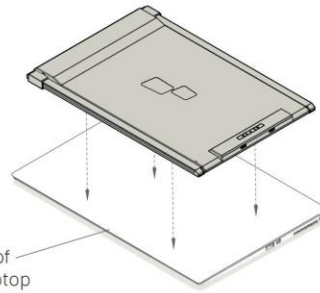


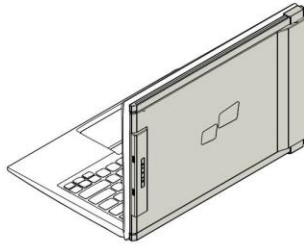
Duex Plus&Duex Lite Installation guide



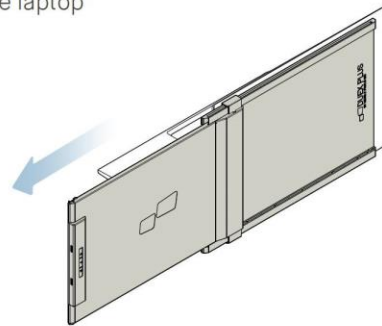
1. Place the magnetic plates towards the monitor side and remove the adhesive stickers.



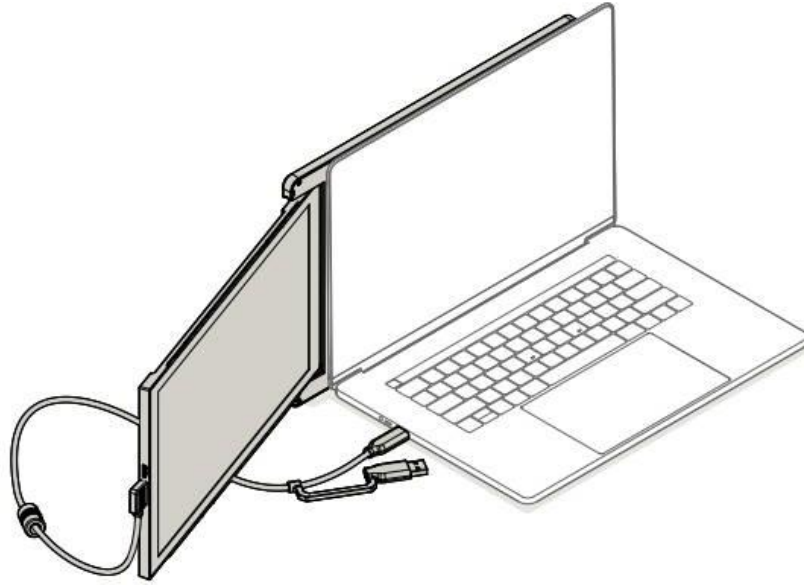
2. Make sure that Duex Plus is centered in the back of the laptop



3. Open the laptop monitor.



4. Slide Duex Plus and swivel the screen.
*USB Cable omitted



Using only USB-C to C cable

Note: For laptop has USB-C port with DP ALT mode