



Ford

F-150 (with CD player, w/o color screen) **2013-2014**

F-150 XL (with CD player) **2009-2013**

F-150 XLT (with single row of 3 buttons, w/o NAV) **2009-2012**

Visit MetraOnline.com for more detailed information about the product and up-to-date vehicle specific applications

KIT FEATURES

- DIN radio provision with pocket
- ISO DIN radio provision with pocket

KIT COMPONENTS

- A) Radio housing • B) Radio housing brackets • C) Climate/radio trim panel • D) ISO brackets • E) ISO trim plate • F) (6) Panel clips

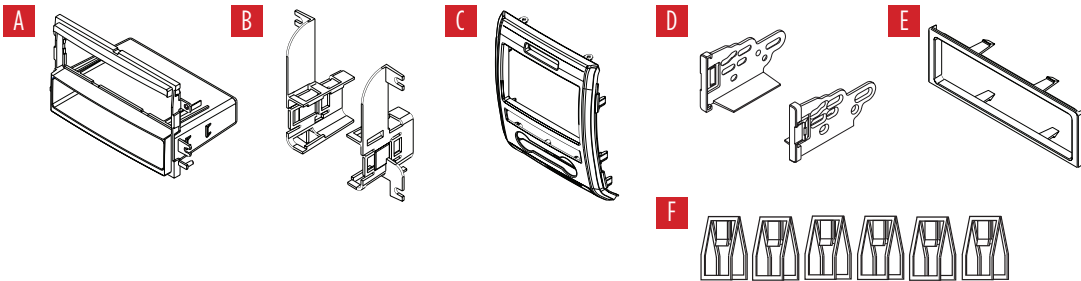


TABLE OF CONTENTS

Dash Disassembly	2
Kit Preparation	3-4
Kit Assembly	
–DIN radio provision with pocket	5
–ISO DIN radio provision with pocket	6

WIRING & ANTENNA CONNECTIONS (sold separately)

Wiring Harness: XSVI-5521-NAV

Antenna Adapter: 40-CR10

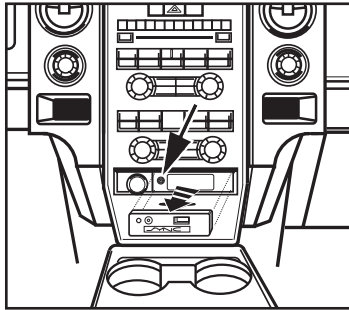
TOOLS REQUIRED

- Cutting tool • Phillips screwdriver
- 9/32" socket wrench • Torx screwdriver
- Panel removal tool

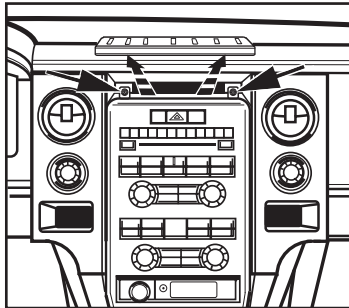
Attention! Let the vehicle sit with the key out of the ignition for a few minutes before removing the factory radio. When testing the aftermarket equipment, ensure that all factory equipment is connected before cycling the key to ignition.

DASH DISASSEMBLY

1. Unclip and remove the switch panel to the right of the cigarette lighter, then remove (1) 9/32" screw exposed. (Figure A)
2. Remove the rubber pad at the top of the climate/radio panel, then remove (2) 9/32" screws exposed. (Figure B)



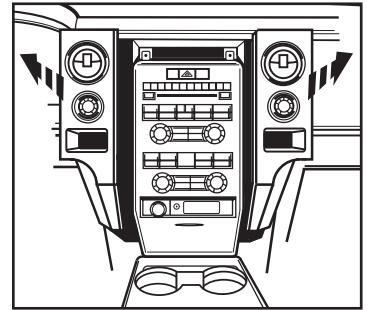
(Figure A)



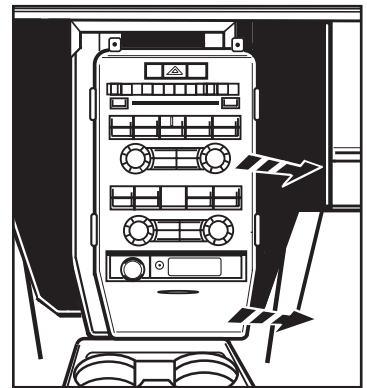
(Figure B)

3. Unclip the a/c vent panels to the left and right of the climate/radio panel and set aside. (Figure C)
4. Unclip, unplug, and remove the climate/radio panel. (Figure D)
5. Remove (4) 9/32" screws securing the radio chassis. Slide the chassis out, then unplug and remove.

Continue to Kit Preparation



(Figure C)



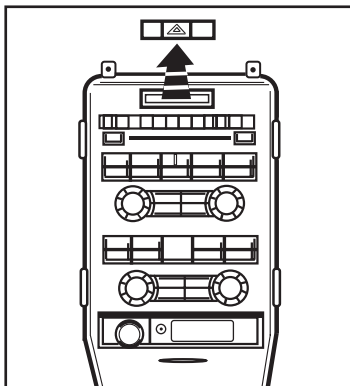
(Figure D)

KIT PREPARATION

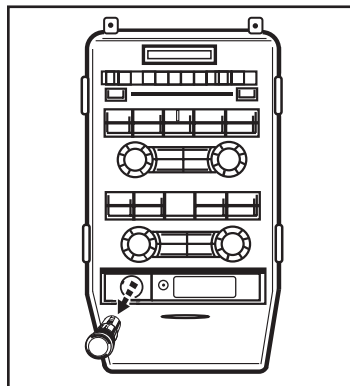
From the factory climate/radio panel:

1. Unclip and remove the hazard/airbag switch assembly from the factory radio trim panel. (Figure A)
2. Unclip and remove the cigarette lighter socket from the radio trim panel. (Figure B)
3. Remove (4) Torx screws securing the factory climate control to the radio trim panel. (Figure C)

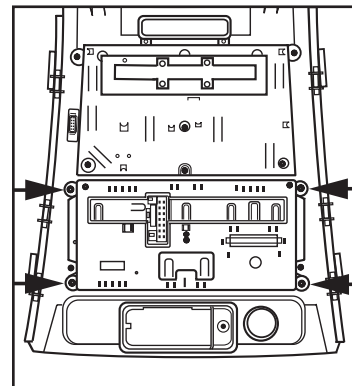
Continued on the next page



(Figure A)



(Figure B)



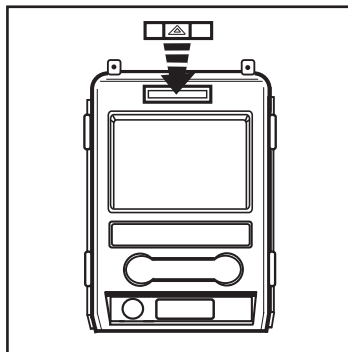
(Figure C)

KIT PREPARATION (CONT.)

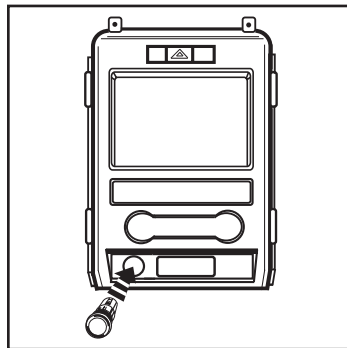
To the 95-5820 radio trim panel:

4. Clip the hazard/airbag switch assembly into the panel. (Figure D)
5. Clip the cigarette lighter socket into the panel. (Figure E)
6. Secure the climate control to the panel using the factory screws. (Figure F)
7. Attach (6) panel clips provided to the panel. (Figure G)

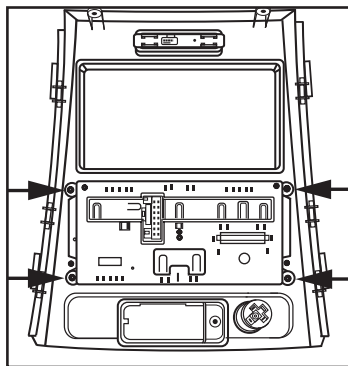
Continue to Kit Assembly



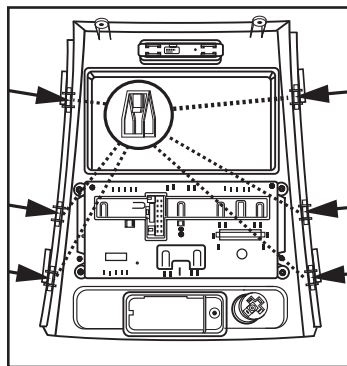
(Figure D)



(Figure E)



(Figure F)



(Figure G)

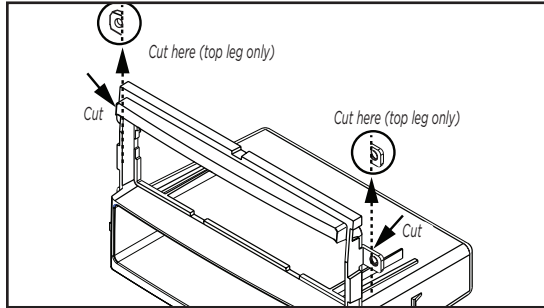
KIT ASSEMBLY

DIN radio provision with pocket

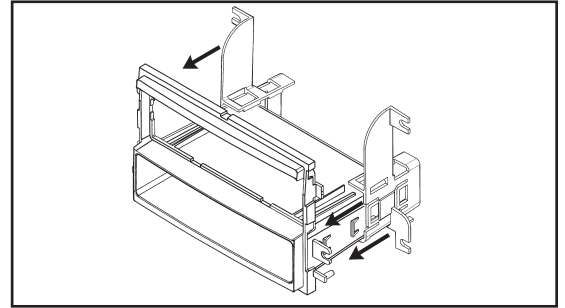
1. Cut off and remove the top (2) mounting legs from the radio housing. (Figure A)

Note: The notch in the housing should be on top.

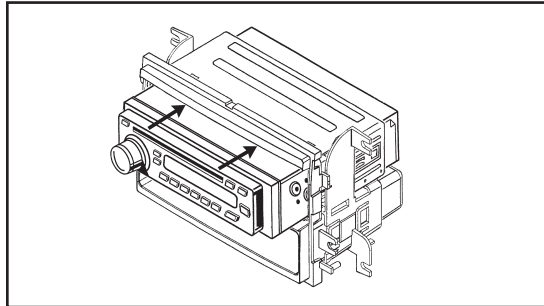
2. Slide the **radio housing brackets** onto the sides of the **radio housing** until they clip in. (Figure B)
3. Remove the metal DIN sleeve from the aftermarket radio.
4. Slide the sleeve into the **radio housing** and secure by bending the metal locking tabs down. (Figure C)
5. Slide the radio back into the sleeve until it clicks in. (Figure D)
6. Locate the factory wiring harness and antenna connector in the dash. Metra recommends using the proper mating adapter from Metra or AXCESS. Complete all connections to the radio and vehicle, then test the radio and vehicle for proper operation.
7. Slide the completed radio assembly into the dash and secure using the factory screws.
8. Reassemble the dash in reverse order of disassembly using the 99-5820 **radio trim panel** to complete the installation.



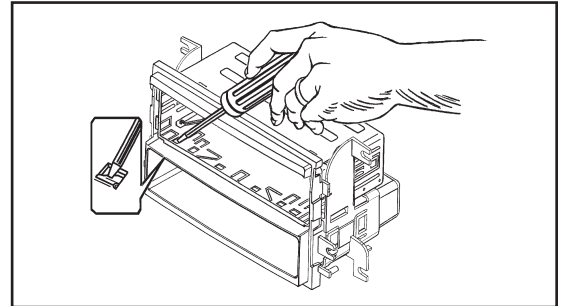
(Figure A)



(Figure B)



(Figure C)



(Figure D)

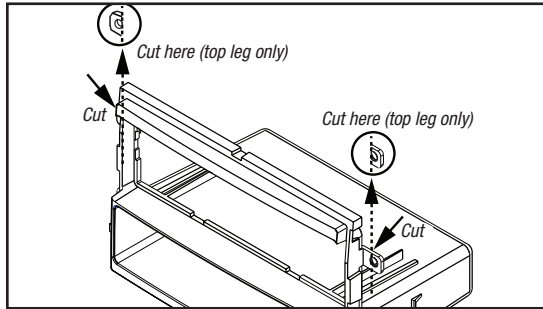
KIT ASSEMBLY

ISO DIN radio provision with pocket

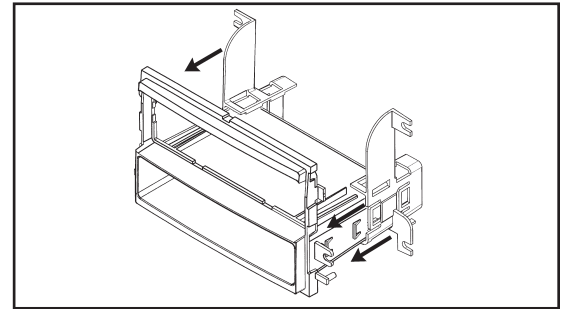
1. Cut off and remove the top (2) mounting legs from the radio housing. (Figure A)

Note: The notch in the housing should be on top.

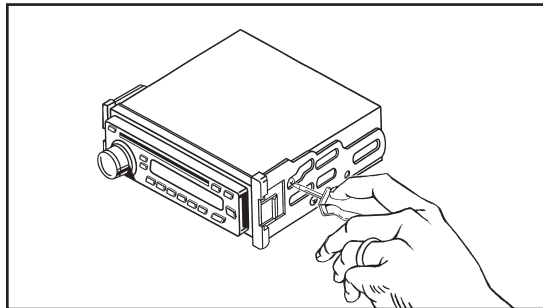
2. Slide the **radio housing brackets** onto the sides of the **radio housing** until they clip in. (Figure B)
3. Remove the metal DIN sleeve and trim ring from the aftermarket radio.
4. Secure the ISO brackets to the radio using the screws supplied with the radio. (Figure C)
5. Slide the bracket/radio assembly into the **radio housing** until the side clips engage. Attach the **ISO trim plate** onto the completed assembly. (Figure D)
6. Locate the factory wiring harness and antenna connector in the dash. Metra recommends using the proper mating adapter from Metra or AXCESS. Complete all connections to the radio and vehicle, then test the radio and vehicle for proper operation.
7. Slide the completed radio assembly into the dash and secure using the factory screws.
8. Reassemble the dash in reverse order of disassembly using the 99-5820 **radio trim panel** to complete the installation.



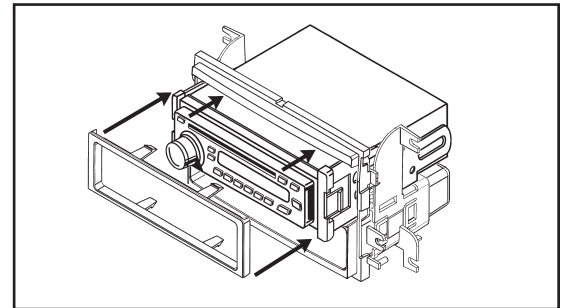
(Figure A)



(Figure B)



(Figure C)



(Figure D)



99-5820
INSTALLATION INSTRUCTIONS



If you are having difficulties with the installation of this product, contact our Tech Support line either by phone at **1-800-253-TECH**, or email at **techsupport@metra-autosound.com**. Before doing so, look over the instruction booklet a second time and ensure that the installation was performed exactly as the instruction booklet is stated. Have the vehicle apart and ready to perform troubleshooting steps before contacting Metra/Axxess Tech Support.



KNOWLEDGE IS POWER

Enhance your installation and fabrication skills by enrolling in the most recognized and respected mobile electronics school in our industry. Log onto www.installerinstitute.com or call 800-354-6782 for more information and take steps toward a better tomorrow.



Metra recommends MECP certified technicians