

Karaoke USA

Portable MP3 Karaoke Player with Bluetooth and Built-In Battery

- English
- Español
- Français

EN User's Guide

MODEL:
GQ410



Smart Device not included

Before operating this product, please read these instructions.

Contents

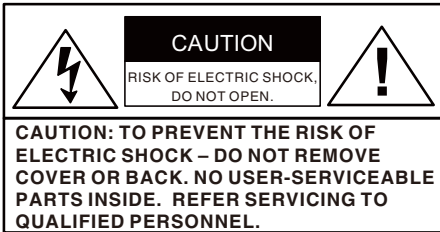
Warnings and Precautions.....	01
Important Safety Instructions.....	02
What's in the Gift Box.....	03
Features.....	04
Main Controls.....	05
Setup – Charging battery.....	06
Bluetooth operation.....	07
USB Flash Drive Operation.....	07
Microphone.....	08
Connect External Device Using Aux-in.....	09
External Device Location Area.....	09
Echo / Balance Control.....	10
LED Light Show Operation.....	10
Specifications.....	10
Troubleshooting.....	11

Warnings and Precautions

WARNING: To reduce the risk of fire or electric shock, do not expose this unit to rain or moisture.

CAUTION: Use of controls or adjustments or performance of procedures other than those specified may result in hazardous radiation exposure.

“Caution Marking and Rating Label” is affixed under the lid or on the bottom of the unit with a mass not exceeding 7kg.



This symbol is intended to alert you to the presence of uninsulated, dangerous voltage within the unit's enclosure that might be of a sufficient magnitude to constitute a risk of electric shock. DO NOT OPEN THE UNITS CASE.



This symbol is intended to inform you that important operating and maintenance instructions are included in the literature accompanying this product.

SAFETY

For units with an insertable AC Power Adapter cord set:

- The power adapter should remain operable for its intended use. Disconnect the AC Power Adapter if you are not intending to use the unit for a long period of time.
- When connecting or disconnecting the AC Power Adapter Cord, grip the plug and not the cord itself. Pulling the cord may cause damage and create a hazard.

For units with a Rechargeable Battery:

- Do not expose batteries to excessive conditions – extreme cold, heat, sun or fire.

MOISTURE AND CONDENSATION

If the unit is exposed to moisture and extreme cold temperatures and moved to a warm environment, condensation may form on the units internal components. Under these circumstances, turning the power “ON” may cause damage to the unit or cause harm to the user. Allow the unit to stand in a warm environment for 1 to 3 hours and allow the unit to air dry safely.

WHEN IN USE

- Do not use this unit in conditions that are extreme – hot, cold, dusty or humid.
- Do not restrict the air flow of the unit by placing it on a soft surface like a bed, carpet or covering.

NOTE: This equipment has been tested and found to comply with the limits for a Class B digital device, pursuant to part 15 of the FCC Rules. These limits are designed to provide reasonable protection against harmful interference in a residential installation. This equipment generates uses and can radiate radiofrequency energy and, if not installed and used in accordance with the instructions, may cause harmful interference to radio communications. However, there is no guarantee that interference will not occur in a particular installation. If this equipment does cause harmful interference to radio or television reception, which can be determined by turning the equipment off and on, the user is encouraged to try to correct the interference by one or more of the following measures:

Reorient or relocate the receiving antenna

Increase the separation between the equipment and receiver

Connect the equipment into an outlet on a circuit different from that to which the receiver is connected.

Consult the dealer or an experienced radio/TV technician for help

Changes or modifications not expressly approved by the party responsible for compliance could void the user's authority to operate the equipment.

This device complies with Part 15 of the FCC Rules. Operation is subject to the following two conditions:

- (1) this device may not cause harmful interference, and
- (2) this device must accept any interference received, including interference that may cause undesired operation.

FCC ID: 2ASQA-393410

IC ID: 25342-393410

Important Safety Instructions

1. Read These Instructions: All safety and operations manual should be read before the product is operated.

2. Keep These Instructions: The safety and operations manual should be retained for future reference.

3. Heed All Warnings: All warnings applicable to the unit and in the operations manual should be adhered to.

4. Follow All Instructions: All operations manual should be followed.

5. Water and Moisture: Do not use this unit near water. For example, do not use near a bath tub, wash bowl, kitchen sink, or laundry tub. Do not use this unit in a wet basement or near a swimming pool or similar location. The unit shall not be exposed to dripping or splashing and no objects filled with liquids (ex: vases), shall be placed on or near this unit.

6. Cleaning: Clean the unit only with a dry cloth. Unit must be unplugged from the wall outlet before cleaning. Do not use liquid cleaners or aerosol cleaners on the unit.

7. Ventilation: Slots and openings in the cabinet of the unit are provided to ensure reliable operation and ventilation and to protect the unit from overheating. The openings must not be covered and should never be blocked by placing the product on a soft surface like a bed, sofa, or rug. This unit should not be placed in a built-in installation like a bookcase or rack, unless proper ventilation is provided.

8. Heat: Do not install the unit near any heat source like a radiator, heat register, stove or other device that produces heat, including amplifiers.

9. Grounding or Polarization: If applicable, do not disable or circumvent the polarized or grounding-type plug. A polarized plug has 2 blades with 1 wider than the other. A grounding-type plug has 2 blades and a 3rd grounding plug. The wide blade, or the 3rd prong, is provided for your safety. If the provided plug does not fit into an outlet, consult a qualified electrician for replacement of this outlet.

10. Power Cord Protection: Protect the power cord from being walked on, pinched or cut or damaged in any

way. If any damage occurs, consult with a trained technician for repair.

11. Accessories: Only use accessories specified and approved by the manufacturer. Do not place this unit on an unstable cart, stand, tripod, bracket or table that has not been previously approved by the manufacturer. This unit may fall, causing serious injury to a child, adult or to the unit itself. Any mounting of the unit should be done within the manufacturer's guidelines.

12. Transporting: If a pre-approved device is used to transport this unit, caution and care must be observed and practiced to avoid damages. Make sure the device and unit together are stable before moving.



PORTABLE
CART
WARNING

S3125A

13. Lightning: Unplug this unit and disconnect the antenna or cable system during lightning storms or when unused for long periods of time. This will help prevent damage to the unit due to lightning and power line surges.

14. Servicing: Do not attempt to service this unit yourself. Opening or removing covers may expose you to dangerous voltage or other hazards. Refer all servicing to a qualified service technician.

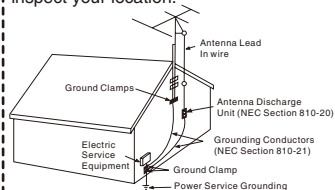
15. Power Sources: Only connect to the type of household power supply as indicated in the operations manual and "Caution Marking and Rating Label." If you are not sure of the type of power supplied to your home (or location of the outlet the unit is being plugged into), consult with the local power company. For units intended to operate from battery power, or other sources, refer to the manufacturer's operations manual.

16. Overloading: Do not overload wall outlets or extension cords. This can result in a risk of fire or electric shock and may be hazardous.

17. Foreign Material: Protect this unit from intrusion of any foreign substances like dirt, water, moisture and insects. Do not force any foreign materials or chemicals into this unit. This could result in a risk of fire or electric shock and may be hazardous.

18. Replacement Parts and Safety Check: When replacement parts are required, be sure the service technician has used replacement parts specified and approved by the manufacturer. Ask the service technician to perform safety checks to ensure the proper operation to avoid possible fire, electric shock or other hazards.

19. Outdoor Antenna Grounding: If an outside antenna or cable system is connected to the unit, be sure the antenna or cable system is grounded to provide some protection against voltage surges and built-up static charges. If there is any doubt to the proper grounding of these systems, contact a qualified electrician to inspect your location.



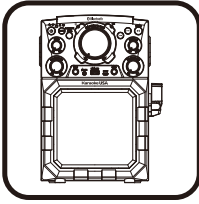
20. Wall or Ceiling Mounted: The unit should be mounted to a wall or a ceiling only as recommended by the manufacturer.

21. Disconnect Device: Make sure all disconnect devices are in proper working condition and readily available in the event of an emergency or if power "off" is needed quickly.

22. Protective Attachment Plug: If applicable, this unit may be equipped with an attachment plug having overload protection. This is a safety feature. See the operations manual for replacement or resetting of this protective device. If replacement of the plug is required, be sure the qualified service technician has used a replacement plug specified by the manufacturer that has the same overload protection as the original plug.

23. Power Lines: An outside antenna system should not be located in the vicinity of overhead power lines or other electric light or power circuits, or where it can fall into such power lines or circuits. When installing an outside antenna system, extreme care should be taken to keep from touching such power lines or circuits, as contact with them may be fatal. Always consult with your local power company before installing an outside antenna.

What's in the Gift Box



GQ410 X 1



Microphone x 1



AUX IN Cable x 1



USB Charging Cable x 1

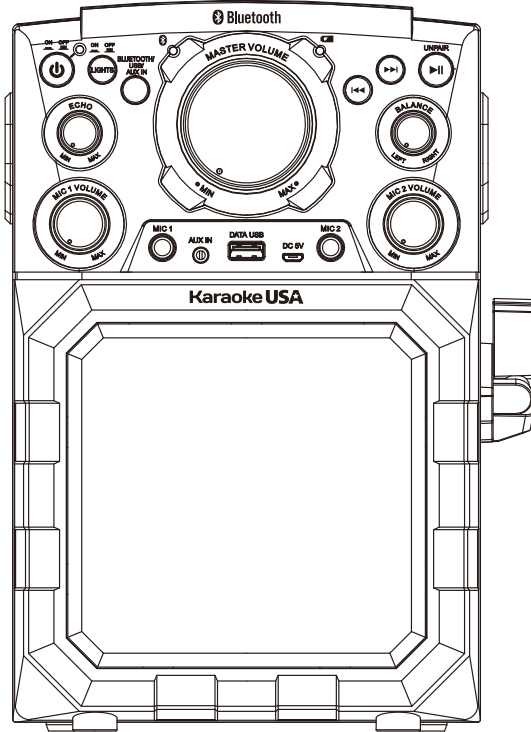


User's Guide x 1



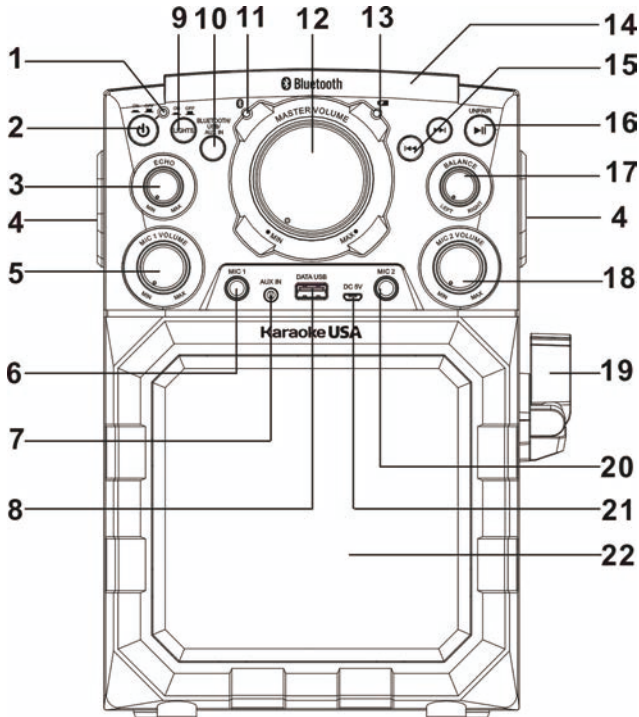
Warranty Card x 1

Features



- 40W Peak Power Output (10W RMS)
- MP3 Compatible
- Bluetooth Wireless Speaker & Wireless Connection
- Aux-In Jack (3.5mm)
- Light up Speaker
- Smart Device Compatible
- 1 Microphone with Holder
- 2 Microphone Inputs
- Master Volume Control
- Microphone Volume Control
- Analog Echo Control
- Balance Control
- USB Flash Drive Compatible
- Built-in Rechargeable Lithium Battery (2 Hour Playtime)
- Recharging USB Cable Included

Main Controls



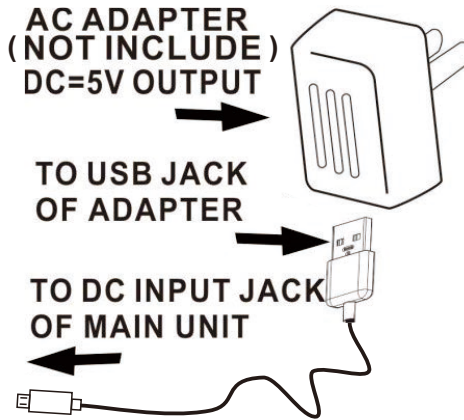
- | | |
|------------------------------------|-----------------------------|
| 1. POWER Indicator | 12. MASTER VOLUME Knob |
| 2. POWER ON/OFF Button | 13. BATTERY Indicator |
| 3. ECHO Knob | 14. Top (Device Location) |
| 4. CARRY HANDLE | 15. SKIP ◀◀ / ▶▶ Button |
| 5. MIC 1 VOLUME Knob | 16. PLAY ▶▶ / UNPAIR Button |
| 6. MIC 1 Input | 17. BALANCE Knob |
| 7. AUX IN Input | 18. MIC 2 VOLUME Knob |
| 8. USB Input | 19. MIC Holder |
| 9. LIGHT ON/OFF Button | 20. MIC 2 Input |
| 10. BLUETOOTH / USB / AUX Selector | 21. DC Input (5V) |
| 11. BLUETOOTH Indicator | 22. Speaker & Light Show |

Note: Under the influence of electrostatic phenomenon, the product may malfunction and require user to reset (Press the POWER button to off unit a few minutes and turn on again).

Setup – Charging battery

BUILT-IN RECHARGEABLE BATTERY OPERATION

1. This unit operates using the built-in Lithium rechargeable battery.
2. Connect charging cable with micro USB output jack to connect DC input jack of main unit and other end connect to power adapter (not included)
3. Fully charge the built-in rechargeable battery before first use, the CHARGE INDICATOR will turn from Red to Green when the built-in battery is fully charged.
4. Unplug the DC INPUT jack of main unit. The unit will enter Battery Operating mode automatically.



LOW BATTERY INDICATION

1. When the build-in battery power low and the CHARGE INDICATOR will light Red and flash. Connect the unit to a power adaptor (not included) for charging.
2. After prolonged use, the battery voltage may discharge and operation might become intermittent. When this happens, recharge the internal battery.

Notes: Rechargeable batteries need to be cycled for maximum performance and longer battery life. If you don't use the player that often, be sure to recharge the battery at least once a month in order to keep the internal battery working properly.

Bluetooth operation

Pairing with mobile / tablet

1. Press POWER button to turn on unit
2. Press the BLUETOOTH / USB / AUX selector to BLUETOOTH mode.
3. The Bluetooth Indicator will flash blue quickly, and the unit will enter pairing mode.
4. When pairing, remain within 3 feet of the unit.
5. On your Bluetooth device, select the "GQ410" in your Bluetooth settings to pair. If your device requests a password then input: "0 0 0 0"
6. When successfully paired and connected, the Bluetooth Indicator will be light and a beep will sound from the unit.

Playing Audio Wirelessly

1. After pairing successful, press PLAY button / PLAY icon of external device to start playing music. Rotate VOLUME knob to desired sound level.
2. Press SKIP buttons of unit / external device to other track to play.
3. After selection, audio played through the connected Bluetooth device will now be heard through the speaker.
4. When USB playing, press the PLAY button once to pause mode and press the button again to resume.

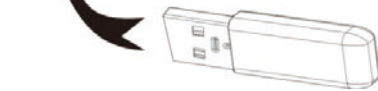
USB Flash Drive Operation

This unit will play MP3 music files on a USB Flash Drive.

Install USB device with music on it

Install the USB device to USB jack

PLUG THE USB STICK TO
USB PLAY BACK PORT OF MAIN UNIT



Play the USB device

1. Press POWER button to turn on unit
2. Press the BLUETOOTH / USB / AUX selector to USB mode.
3. Press the Play button to start playing. Rotate VOLUME knob to desired sound level

Using the skip and search function

1. Press the SKIP buttons to search music track.
2. Hold the SKIP buttons to fast search the desert track forward or rewind.

Using pause function

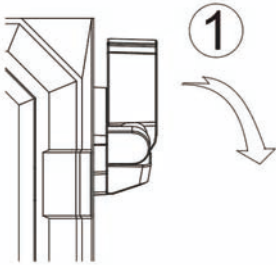
When USB playing, press the PLAY button once to pause mode and press the button again to resume.

Microphone

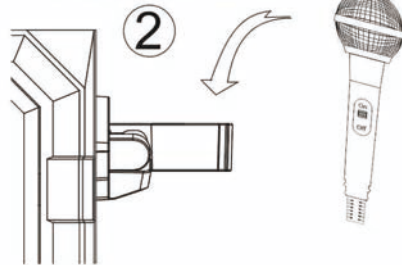
When either one or two Microphones are plugged into the MIC 1 jack / MIC 2 jack, their output is mixed with the playback from USB / Bluetooth / AUX IN

Adjust corresponding MIC VOLUME knob for best balance between playback and microphone (singing) levels.

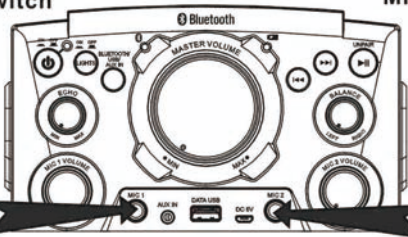
Pull down the mic holder



Install the microphone onto the mic holder



Microphone ON/OFF Switch

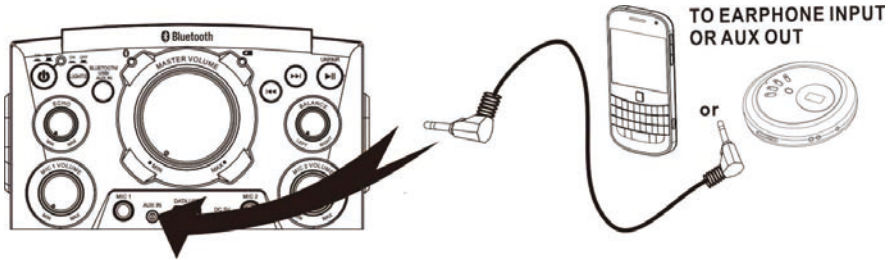


Microphone ON/OFF Switch



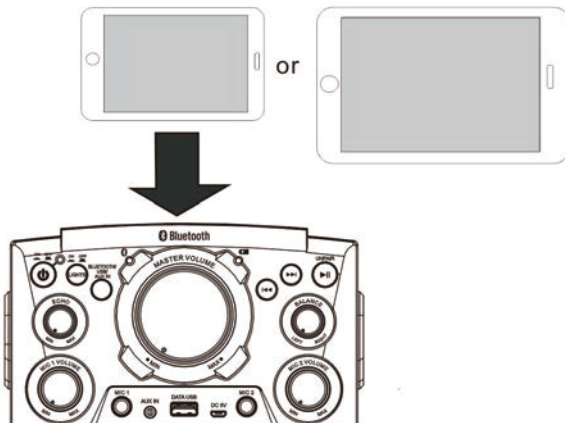
Connect External Device Using Aux-in

1. Press POWER button to turn on unit.
2. Press the BLUETOOTH / USB / AUX IN selector to AUX IN mode.
3. Connect audio cable to AUX-in jack.
4. Connect other end of audio cable to external device's audio out (headphone) jack.
5. The external device's audio will play on unit speaker. Rotate VOLUME knob to correct sound level.



External Device Location Area

Placing the device horizontal onto the top of unit



Echo / Balance Control

Echo

Adjust ECHO to add depth and richness to vocals.

Balance

Adjust BALANCE can be used if MP3 file has two music channels. Normally, this would be adjusted to center, not left or right.

LED Light Show Operation

Press the LIGHT button to turn on / off LED light show on speaker grill.

Specifications

Operating Voltage: DC 5V

Power Consumption: 11 Watts

Power Output: 40W Peak Power

Accessories

AUX IN Cable x 1

USB Charging Cable x1

User's Guide x 1

Warranty Card x 1

Microphone x 1

Troubleshooting

	Symptom	Possible Problem	Solution
General	No Power	Power outlet	Ensure all are connected firmly
		power adaptor	
		Power cord	
		Power switch ON/ OFF position	Ensure the switch is in "ON" mode
		Battery is dead	charge the unit
	Powered but not respond	Unit in the wrong mode	Select the correct mode
Needs to reset machine		Turn off the unit then turn on again	
Microphone	Volume too low	Adjust Microphone volume setting	Set the microphone volume higher especially when recording
Play USB	Not reading	No files or wrong format file on your USB	Download the files to your device and try different format if necessary
	No function at all	wrong format or been used too long time	Backup your files on your computer and format the USB
Bluetooth	Not pairing	In the wrong mode	Set to Bluetooth mode
	Music too low	Volume setting too low on your smart device	Turn both volumes up on your smart device and the machine
Play AUX IN	No music	AUX IN cable not connected properly	Ensure the AUX IN cable connect to the correct AUX IN input jack on the front
		Unit set in BLUETOOTH /USB mode	Set the Function knob in AUX IN mode
		The volume setting too low on your smart device and the unit	Set the volume higher on your smart device and the unit

Karaoke USA

KARAOKE USA
1185 GOODEN CROSSING
LARGO, FL 33778 USA

TECH SUPPORT: WWW.KARAOKEUSA.COM/CS
DOWNLOAD SONGS: WWW.SINGTHEHITS.COM
SALES DEPARTMENT: SALES@KARAOKEUSA.COM