



**3-SPEED STEREO TURNTABLE WITH CASSETTE
PLAYER/RECORDER AND AM/FM STEREO RADIO**

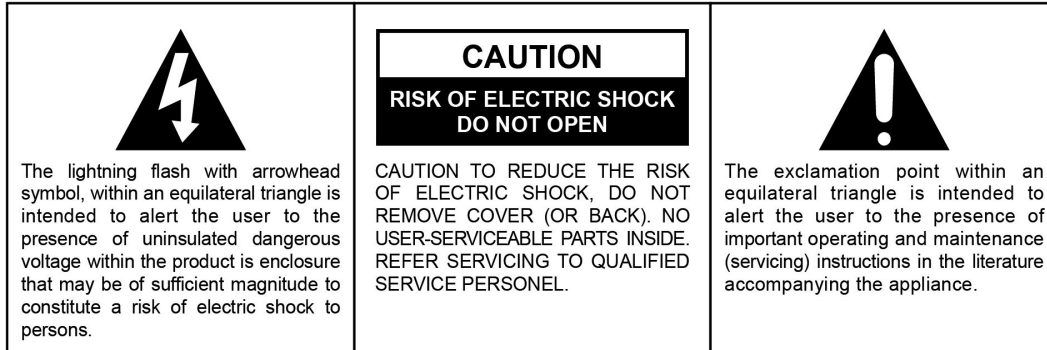


**MODEL: JTA- 385
USER MANUAL**

**PLEASE READ THIS USER MANUAL COMPLETELY BEFORE OPERATING THIS UNIT
AND RETAIN THIS BOOKLET FOR FUTURE REFERENCE.**

WARNING

TO PREVENT FIRE OR SHOCK HAZARD, DO NOT USE THIS PLUG WITH AN EXTENSION CORD, RECEPTACLE OR OTHER OUTLET UNLESS THE BLADES CAN BE FULLY INSERTED TO PREVENT BLADE EXPOSURE. TO PREVENT FIRE OR SHOCK HAZARD, DO NOT EXPOSE THIS APPLIANCE TO RAIN OR MOISTURE.



The Caution Marking is located at the bottom enclosure of the apparatus.
The Rating plate is located at the bottom enclosure of the apparatus.

IMPORTANT SAFETY INSTRUCTIONS

1. Read these instructions.
2. Keep these instructions.
3. Heed all warnings.
4. Follow all instructions.
5. Do not use this apparatus near water.
6. Clean only with dry cloth.
7. Do not block any ventilation openings. Install in accordance with the manufacturer's instructions.
8. Do not install near any heat sources such as radiators, heat registers, stoves, or other apparatus (including amplifiers) that product heat.
9. Do not defeat the safety purpose of the polarized or grounding-type plug. A polarized plug has two blades with one wider than the other. A grounding type plug has two blades and a third grounding prong. The wide blade or the third prong is provided for your safety. If the provided plug does not fit into your outlet, consult an electrician for replacement of the obsolete outlet.
10. Protect the power cord from being walked on or pinched particularly at plugs, convenience receptacles, and the point where they exit from the apparatus.
11. Only use attachments/accessories specified by the manufacturer.
12. Use only with a cart, stand, tripod, bracket, or table recommended by the manufacturer, or sold with the product. When a cart is used, use caution when moving the cart/apparatus combination to avoid injury from tip-over.
13. Unplug this apparatus during lightning storms or when unused for a long periods of time.
14. Refer all servicing to qualified service personnel. Servicing is required when the apparatus has been damaged in any way, such as power-supply cord or plug is damaged, liquid has been spilled or objects have fallen into the apparatus, the



apparatus has been exposed to rain or moisture, does not operate normally, or has been dropped.

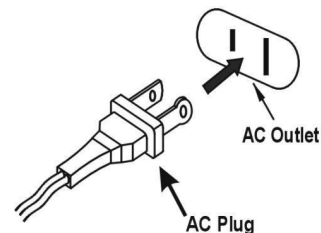
15. This appliance shall not be exposed to dripping or splashing water and that no object filled with liquids such as vases shall be placed on the apparatus.
16. Do not overload wall outlet. Use only power source as indicated.
17. Use replacement part as specified by the manufacturer.
18. Upon completion of any service or repairs to this product, ask the service technician to perform safety checks.
19. Power Sources - This product should be operated only from the type of power source indicated on the marking label. If you are not sure of the type of power supply to your home, consult your product dealer or local power company. For products intended to operate from battery power, or other sources, refer to the operating instruction.
20. Object and Liquid Entry - Never push objects of any kind into this product through openings as they may touch dangerous voltage points or short-out parts that could result in a fire or electric shock. Never spill liquid of any kind on the product.
21. Damage Requiring Service - Unplug this product from the wall outlet and refer servicing to qualified service personnel under the following conditions:
 - a) When the power-supply cord or plug is damaged,
 - b) If liquid has been spilled, or objects have fallen into the product,
 - c) If the product has been exposed to rain or water,
 - d) If the product does not operate normally by following the operating instructions. Adjust only those controls that are covered by the operating instructions as an improper adjustment of other controls may result in damage and will often require extensive work by a qualified technician to restore the product to its normal operation.
 - e) If the product has been dropped or damaged in any way, and
 - f) When the product exhibits a distinct change in performance - this indicates a need for service.
22. Main plug is used as disconnect device and it should remain readily operable during intended use. In order to disconnect the apparatus from the mains completely, the mains plug should be disconnected from the mains socket outlet completely.
23. Excessive sound pressure from earphones and headphone can cause hearing loss.
24. Minimum distances of 10 cm around the apparatus for sufficient ventilation.
25. The ventilation should not be impeded by covering the ventilation openings with items, such as newspapers, table-cloths, curtains, etc.
26. No naked flame sources, such as lighted candles, should be placed on the apparatus.
27. The use of apparatus in moderate climates.

This symbol indicates that this product incorporates double insulation between hazardous mains voltage and user accessible parts.



CAUTION:

TO PREVENT ELECTRIC SHOCK, MATCH WIDE BLADE OF PLUG TO WIDE SLOT. FULLY INSERT THE PLUG TO MAIN POWER SOCKET.



SAVE THESE INSTRUCTIONS

PRECAUTION FORE USE

- **UNPACK ALL PARTS AND REMOVE PROTECTIVE MATERIAL.**
- **DO NOT CONNECT THE UNIT TO THE MAINS BEFORE CHECKING THE MAINS VOLTAGE AND ALL OTHER CONNECTIONS HAVE BEEN MADE.**
- **DO NOT COVER ANY VENTS AND MAKE SURE THAT THERE IS A SPACE OF SEVERAL CENTIMETERS AROUND THE UNIT FOR VENTILATION.**

IMPORTANT NOTES

Avoid installing the unit in locations described below:

- Places exposed to direct sunlight or close to heat radiating appliances such as electric heaters.
- Places subject to constant vibration.
- Dusty, humid or moist places.

COMPLIANCE WITH FCC REGULATIONS

This device complies with Part 15 of the FCC Rules. Operation is subject to the following two conditions:

- (1) this device may not cause harmful interference, and
- (2) this device must accept any interference received, including interference that may cause undesired operation.

NOTE : This equipment has been tested and found to comply with the limits for a Class B digital

device, pursuant to Part 15 of the FCC Rules. These limits are designed to provide reasonable protection against harmful interference in a residential installation. This equipment generates, uses and can radiate radio frequency energy and, if not installed and used in accordance with the instructions, may cause harmful interference to radio communications. However, there is no guarantee that interference will not occur in a particular installation. If this equipment does cause harmful interference to radio or television reception, which can be determined by turning the equipment off and on, the user is encouraged to try to correct the interference by one or more of the following measures:

- Reorient or relocate the receiving antenna.
- Increase the separation between the equipment and receiver.
- Connect the equipment into an outlet on a circuit different from that to which the receiver is connected.
- Consult the dealer or an experienced radio/TV technician for help.

CAUTION: Changes or modifications not expressly approved by the party responsible for compliance could void the user's authority to operate the equipment.

PROTECT YOUR FURNITURE

This model is equipped with non-skid rubber 'feet' to prevent the product from moving when you operate the controls. These 'feet' are made from non-migrating rubber material specially formulated to avoid leaving any marks or stains on your furniture. However certain types of oil based furniture polishes, wood preservatives, or cleaning sprays may cause the rubber 'feet' to soften, and leave marks or a rubber residue on the furniture. To prevent any damage to your furniture we strongly recommend that you purchase small self-adhesive felt pads, available at hardware stores and home improvement centers everywhere, and apply these pads to the bottom of the rubber 'feet' before you place the product on fine wooden furniture.

DEAR JENSEN® CUSTOMER

Selecting fine audio equipment such as the unit you've just purchased is only the start of your musical enjoyment. Now it's time to consider how you can maximize the fun and excitement your equipment offers. This manufacturer and the Electronic Industries Association's Consumer Electronics Group want you to get the most out of your equipment by playing it at a safe level. One that lets the sound come through loud and clear without annoying blaring or distortion and, most importantly, without affecting your sensitive hearing.

Sound can be deceiving. Over time your hearing "comfort level" adapts to higher volumes of sound. So what sounds "normal" can actually be loud and harmful to your hearing. Guard against this by setting your equipment at a safe level BEFORE your hearing adapts.

To establish a safe level:

- Start your volume control at a low setting.
- Slowly increase the sound until you can hear it comfortably and clearly, and without distortion.

Once you have established a comfortable sound level:

- Set the dial and leave it there.

Taking a minute to do this now will help to prevent hearing damage or loss in the future. After all, we want you listening for a lifetime.

We Want You Listening For a Lifetime

Used wisely, your new sound equipment will provide a lifetime of fun and enjoyment. Since hearing damage from loud noise is often undetectable until it is too late, this manufacturer and the Electronic Industries Association's Consumer Electronics Group recommend you avoid prolonged exposure to excessive noise.

Customer's Record:

The serial number of this product is found on its bottom cover. You should note the serial number of this unit in the space provided as a permanent record of your purchase to aid in identification in the event of theft or loss.

Model Number: JTA-385

Serial Number: _____

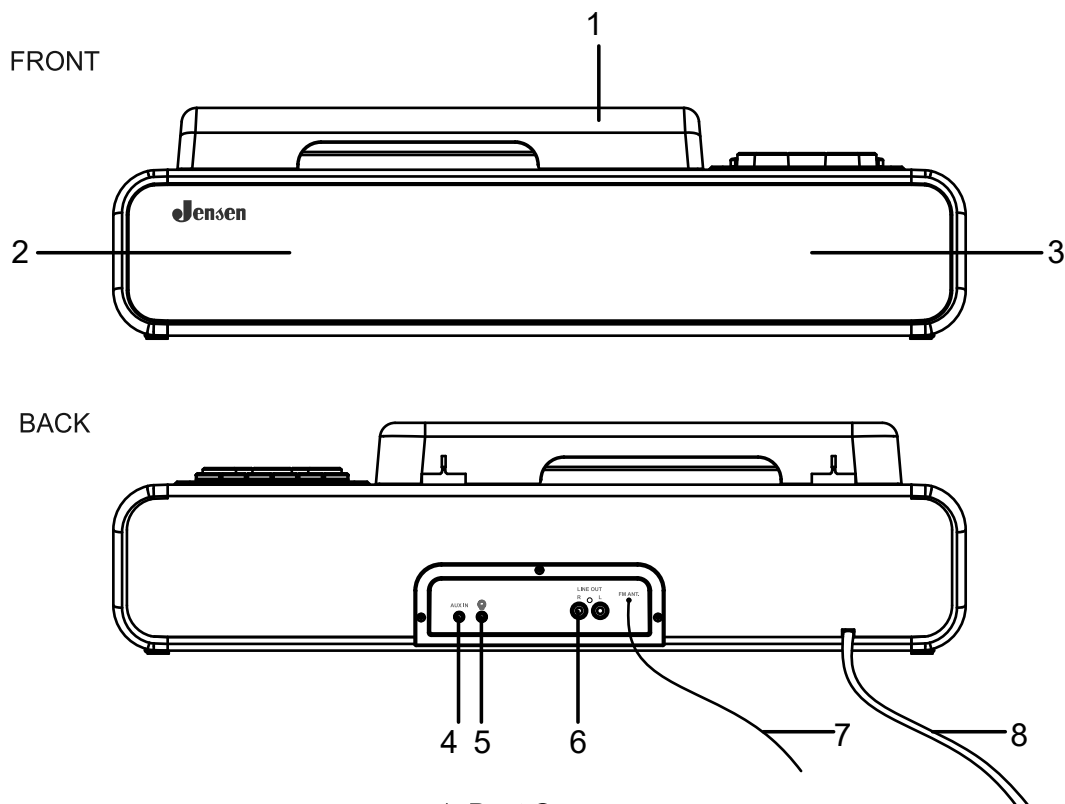
ACCESSORIES INCLUDED

- User Manual
- 45 RPM Record Adapter

GETTING STARTED

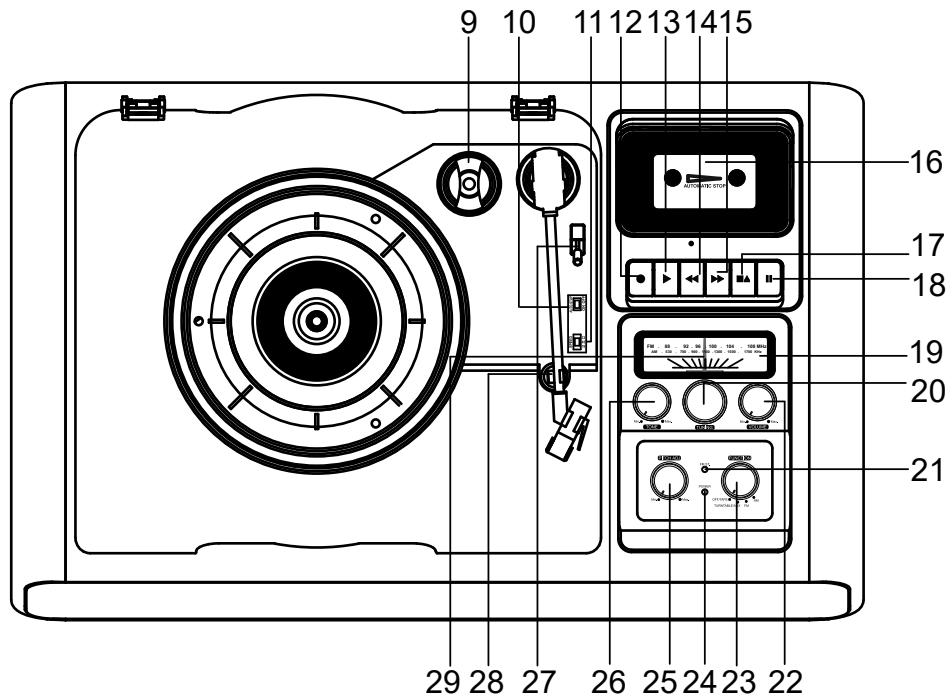
1. Fully unwind the AC power cord and plug the cord into any convenient household 120V~ 60Hz AC outlet.
2. The unit is now ready to operate. The power indicator will light when the Function Selector is set to TURNTABLE/AUX, FM or AM. The power indicator will also light in OFF/TAPE mode, but only when the cassette player/recorder is in use.

LOCATION OF CONTROLS



1. Dust Cover
2. Left Speaker
3. Right Speaker
4. AUX-IN Jack
5. Headphone Jack
6. LINE-OUT RCA Jacks (L/R)
7. FM Wire Antenna
8. AC Power Cord

LOCATION OF CONTROLS



9. 45 RPM Record Adaptor
10. Auto-Stop Switch
11. 33/45/78RPM Speed Selector
12. Cassette Record ● Button
13. Cassette Play ► Button
14. Cassette Rewind ◀◀ Button
15. Cassette Fast Forward ►► Button
16. Cassette Compartment
17. Cassette Stop/Eject ■▲ Button
18. Cassette Pause ■■ Button
19. Radio Tuning Dial
20. Tuning Knob
21. FM Stereo Indicator
22. Volume Control
23. Function Selector (OFF/TAPE, TURNTABLE/AUX, FM, AM)
24. Power Indicator
25. Pitch Adjust Control
26. Tone Control
27. Tone Arm Lift Lever
28. Tone Arm Holder
29. Dial Pointer

RADIO OPERATION

1. Rotate the Function Selector to either the AM or FM position.
2. Rotate the Tuning Knob to your desired radio station. If an FM broadcast is in stereo, the FM stereo indicator will light.
3. Rotate the Volume Control to adjust the audio output level.
4. Rotate the Tone Control to adjust the treble level of the music you are playing.
5. To turn off the radio, rotate the Function Selector to the OFF/TAPE position.

HINTS FOR BEST RECEPTION:

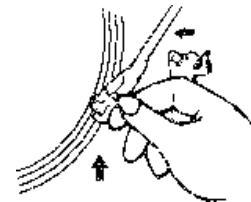
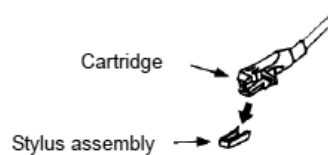
- AM** - The AM antenna is located inside the cabinet of the unit. If AM reception is weak, change the position of unit until the internal antenna picks up the strongest signal.
- FM** - If a stereo broadcast is received, the unit will automatically switch to stereo mode and you will hear the stereo broadcast. Always keep the FM wire antenna fully unwrapped and extended for best performance. If the FM reception is weak, try adjusting the position of the FM wire antenna to improve reception.

TURNTABLE OPERATION

BEFORE USING THE TURNTABLE:

- Remove the stylus protector.
- Make sure that the tone arm is unlocked and moves freely. Lock the tone arm in place again when not in use.

1. Rotate the Function Selector to the TURNTABLE/AUX position.
2. Raise the turntable dust cover.
3. Place a record on the platter (use the 45 RPM record adaptor if you are playing 45 RPM records).
4. Set the Speed Selector to the proper position for the record you are playing.
5. Use the Tone Arm Lever to lift the tone arm from the Tone Arm Holder and slowly move it over the record. The turntable platter will begin spinning.
6. Move the tone arm to the beginning of the record, or to the start of a particular track. Use the tone arm lever to lower the tone arm onto the record.
7. Rotate the Volume Control to adjust the audio output level.
8. Rotate the Tone Control to adjust the treble level of the music you are playing.
9. At the end of record, the platter will automatically stop spinning. Lift the tone arm from the record and return it to the rest.
10. To stop playing a record manually, lift the tone arm from the record and return it to the Tone Arm Holder.



NOTES:

1. Certain types of records may have an auto-stop area outside the preset limit, so the turntable may stop before the last track finishes. If this occurs, set the AUTO-STOP switch to the "OFF" position. This allows the record to play to the end, but please note that it will not stop automatically. You must manually raise the tone arm and place it back on the Tone Arm Holder to stop the platter from spinning.
2. The turntable will automatically disconnect and stop playing when a 3.5mm stereo aux-in cord (not included) is plugged into the Aux-in Jack on the back.

The turntable cannot be used while using the Aux-in, so be sure to disconnect the Aux-in cord prior to using the turntable.

PITCH CONTROL

The Pitch Control allows you to fine tune the playing speed of the record once the correct speed (33/45/78 RPM) is chosen. Rotate the Pitch Adjust Control to slightly increase or decrease the speed of the turntable if necessary.

CASSETTE OPERATION

LISTENING TO TAPE

1. Rotate the Function Selector to the OFF/TAPE position.
2. Press the CASSETTE STOP/EJECT ■▲ Button to open the Cassette Compartment Door and insert a pre-recorded cassette tape with the exposed tape facing outwards. Push down on the Cassette Compartment Door to close it.
3. Press the CASSETTE PLAY ► Button to start playing the cassette.
4. Rotate the Volume Control to adjust the audio output level.
5. Rotate the Tone Control to adjust the treble level of the music you are playing.
6. Press the CASSETTE FAST FORWARD ►► Button or the CASSETTE REWIND ◀◀ Button to rapidly advance or rewind the tape.
7. Press the CASSETTE PAUSE ■■ Button to pause the playback, press it again to resume the playback.
8. Press the CASSETTE STOP/EJECT ■▲ Button to stop operation.

AUTOMATIC STOP

To protect your cassette tapes and prevent unnecessary wear to the pinch roller of the cassette mechanism, this unit is equipped with an Automatic Stop System. When the tape ends during play, the Play Button will automatically release to stop the cassette from running

A. RECORDING FROM THE RADIO

- Rotate the Function Selector to either AM or FM.
- Rotate the Tuning Knob to a desired radio station.
- Press the CASSETTE STOP/EJECT ■▲ Button to open the Cassette Door and insert a blank cassette tape with the exposed tape facing outwards.
- Press down on the CASSETTE RECORD ● & CASSETTE PLAY ► buttons at the same time until they lock down to start recording.
- Press the CASSETTE PAUSE ■■ button and then CASSETTE STOP/EJECT ■▲ button when finished recording.
- To listen to your recording, rotate the Function Control to the OFF/TAPE position.
- Press the CASSETTE REWIND ◀◀ Button to rewind the tape to search your recording, and then press the CASSETTE PLAY ► Button to listen.

B. RECORDING FROM PHONO

- Rotate the Function Selector to the TURNTABLE/AUX position.
- Place a record on the platter that you wish to record.

- Insert a blank cassette tape in the tape deck which is suitable for recording and close the Cassette Compartment Door.
- Press the CASSETTE PAUSE **||** button first and then press down on the CASSETTE RECORD **●** & CASSETTE PLAY **▶** buttons at the same time until they lock down. The recording function is now in STANDBY.
- Start playing the record on the turntable and press the CASSETTE PAUSE **||** button on the deck to start recording.
- To stop recording, lift the tone arm and place it back on the Tone Arm Holder. Press the CASSETTE PAUSE **||** button and then the CASSETTE STOP/EJECT **■▲** button to stop recording.
- To listen to your recording, rotate the Function Control to the OFF/TAPE position.
- Press the CASSETTE REWIND **◀◀** Button to rewind the tape to search your recording, and then press the CASSETTE PLAY **▶** Button to listen.

C. RECORDING FROM AUX-IN

- Rotate the Function Selector to the TURNTABLE/AUX position.
- Connect the LINE-OUT of your external audio device to the AUX-IN jack located on the back of the unit using a 3.5mm plug audio cable (not included). See note below if recording using the headphone jack from your external audio device.
- Insert a blank cassette tape in the tape deck which is suitable for recording and close the Cassette Compartment Door.
- Press the CASSETTE PAUSE **||** button first and then press down on the CASSETTE RECORD **●** & CASSETTE PLAY **▶** buttons at the same time until they lock down. The recording function is now in STANDBY.
- Press the play button of your external audio device to start playback and then press the CASSETTE PAUSE **||** button on the deck to start recording.
- Press the CASSETTE PAUSE **||** button and then CASSETTE STOP/EJECT **■▲** button when finished recording.
- To listen to your recording, rotate the Function Control to the OFF/TAPE position.
- Press the CASSETTE REWIND **◀◀** Button to rewind the tape to search your recording, and then press the CASSETTE PLAY **▶** Button to listen.

NOTES:

1. The cassette deck features automatic level control (ACL) when recording, so when recording from the RADIO or TURNTABLE, the volume control does not affect the recording level.
2. If you connect the headphone jack from your external audio device to the AUX-IN jack on the JTA-385 for recording, you may need to adjust volume level of the external audio player to get an acceptable audio recording level.
3. When recording from the AM radio, you may receive and record interference during the recording process.

AUXILIARY INPUT

This unit provides an auxiliary audio signal input jack for connecting external audio devices like MP3 players, CD players and older, non-dockable iPods (except iPod shuffle 3rd gen) so you can listen to your external source through the speakers of this system.

1. Rotate the Function Selector to the TURNTABLE/AUX position.
2. Use an audio cable (not included) with one 3.5 mm stereo plug on each end of the cable.

3. Plug one end into the AUX-IN jack on the main unit and the other end of the cable into the Line-out Jack or Headphone Jack of your external audio device.
4. Turn on your external audio device.
5. The volume level can now be controlled through the main unit. Operate all other functions on the auxiliary device as usual.

Note:

- (1). If the LINE-OUT Jack of your external device is connected, then you only need to adjust the volume control of this system. If the Headphone Jack of your external device is connected, then you may need to adjust both the volume control of your external device and the volume control of this system to find the most desirable volume setting.
- (2). The turntable cannot be used when an AUX-IN cord is plugged in, so be sure to disconnect the AUX-IN cord prior to using the turntable.
- (3). Rotate the Function Selector to the OFF/TAPE position to turn the system OFF when you finish listening. Don't forget to switch off the power on your external device as well.

LINE OUT CONNECTION

You can connect this unit to an external Hi-Fi / AMPLIFIER system by connecting the LINE-OUT RCA Jacks to the auxiliary input jacks on your Hi-Fi / AMPLIFIER system with RCA cables (not included).

Note: The Volume control on the main unit will not adjust the volume when using the LINE-OUT. The volume level will be controlled using the volume control on your external Hi-Fi / AMPLIFIER system.

USING HEADPHONES (NOT INCLUDED)

Inserting the plug of your headphones into the Headphone jack will enable you to listen in private.

READ THIS IMPORTANT INFORMATION BEFORE USING YOUR HEADPHONES

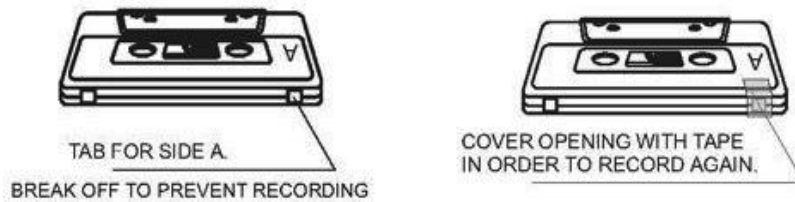
1. Avoid extended play at very high volume as it may impair your hearing.
2. If you experience ringing in your ears, reduce the volume or shut off your unit.
3. Keep the volume at a reasonable level even if your headset is an open-air type designed to allow you to hear outside sounds. Please note that excessively high volume may still block outside sounds.

CARE AND MAINTENANCE

ABOUT CASSETTE TAPES

Whenever you record on a cassette any previously recorded material is erased as the new material is recorded. To prevent you from accidentally erasing material which you wish to save, blank cassettes are equipped with erase prevention tabs for each side of the tape. If the erase prevention tab for side A is removed, you cannot accidentally record on side A. The Record ● button cannot be depressed if the erase prevention tab on the cassette has been removed.

To prevent accidental erasing on side A of a cassette use a small screw driver or similar tool to break off the erase prevention tab for side A. This prevents the record key from locking.



If later you do wish to record on side A of the cassette, cover the tab opening with a piece of cellophane tape. This will allow the Record ● to function again.

CASSETTE CARE

Two common causes of trouble experienced when using cassettes are:

- 1.) Tape Jamming – Leading to uneven speed in playback, and
- 2.) Tape Tangling – Where the tape wraps itself around vital parts of the mechanism.

To reduce the likelihood of these problems occurring, the following precautions should be observed:

- Check that there are no loose layers of tape visible through the cassette center window (see Fig. 1). Take up any loose layers, using a pencil or hexagonal barreled ballpoint pen, before inserting the cassette into the machine (see Fig.2)
- If the cassette feels tight while performing operation shown (see Fig.2), the tape may be jamming due to ridges formed in the winding of the tape (visible through the center window). These may be removed, in most cases, by fast winding of the cassette from one end to the other and back again.
- Use only well-known brands of tape. Avoid use of C-120 cassettes.

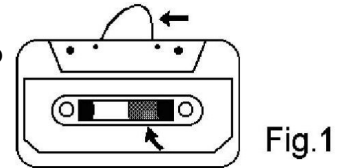


Fig.1

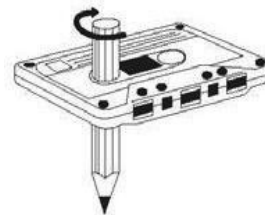
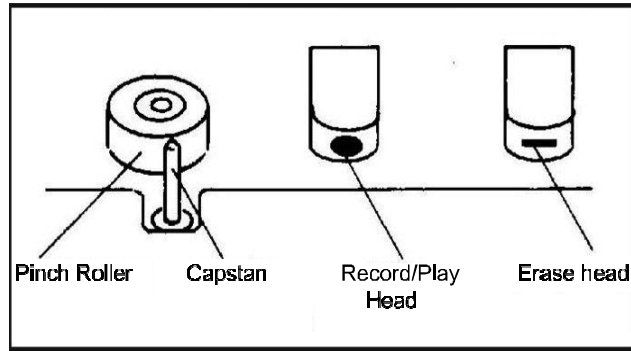


Fig. 2

Furthermore, do not expose cassettes to direct sunlight, dust or oil, and do not touch the tape surfaces.

HEAD CLEANING

The tape heads, pinch roller and capstan require periodic cleaning. This removes particles of the metal oxide coating that wear off the tape and accumulate on these parts and impair performance. Switch off the power, press the Stop/Eject Button to open the cassette door, and press the Play Button. Clean the tape heads, pinch roller and capstan with a soft cloth or cotton pad dampened in isopropyl alcohol or special tape head cleaner.



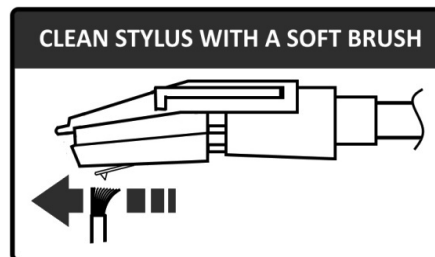
1. Avoid operating your unit under direct sunlight or in hot, humid or dusty places.
2. Keep your unit away from heating appliances and sources of electrical noise such as fluorescent lamps or motors.
3. For better Display clarity, avoid operating the unit under direct sunlight or in strong room illumination.
4. Unplug the unit from the electrical power outlet immediately in case of malfunction.

RECORD CARE AND MAINTENANCE

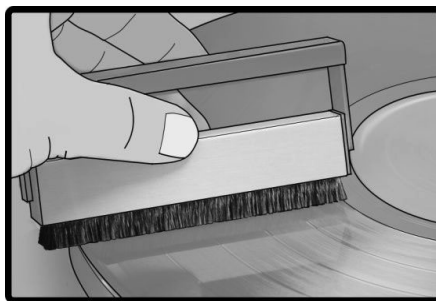
To ensure the best sound and the least amount of wear on your records, it's essential that they are kept clean. Make sure your records, especially older ones, are sufficiently cleaned prior to playing them.

Thoroughly clean dust off the stylus and record regularly.

- Use a soft brush to clean the stylus. Brush from the base to the tip as shown below.



- For records with only light amounts of dust, we recommend brushing them off with a carbon fiber brush or velvet pad before playing them. Use a good quality record cleaner and brush set to keep your records clean. Carbon fiber brushes, velvet pads and record cleaning kits are available online or in local record stores.



- Using a mild dish soap and warm water for washing your records will also help remove excess dirt and dust that builds up over the years. Use a microfiber cloth when washing and wiping off any excess water from the records once they have been cleaned

NOTE:

Remember, the best cleaning in the world just removes all the dust and dirt. Some records will have scratches and groove wear. No amount of cleaning will fix this. So after cleaning, some records may sound “perfect” and others may not

TROUBLESHOOTING GUIDE

SHOULD YOU EXPERIENCE DIFFICULTIES IN THE USE OF THIS PLAYER PLEASE REFER TO THE FOLLOWING CHART OR CALL 1-800-777-5331 FOR CUSTOMER SERVICE.

PROBLEM	POSSIBLE CAUSE	SOLUTION
The unit does not respond (no power).	AC power cord is not plugged into a wall outlet or the connector is not plugged into the power supply jack on the back of the unit.	Plug the AC power cord into a wall outlet and plug the connector into the supply jack on the unit.
	Wall outlet is not functioning.	Plug another device into the same outlet to confirm the outlet is working.
	Function switch is in the OFF position.	Rotate the Function switch to the different mode position.
Unit is ON but there is low or no volume	The volume Control has been turned all the way down	Turn the Volume control to a higher output
AM band is noisy	The reception at the set location is poor.	Slightly rotate the unit for the best reception.

FM STEREO indicator does not light	You are tuned to a mono FM station or the station's signal is too weak.	Select another FM station or extend and reposition the FM wire antenna for best reception.
The tape does not move.	The cassette tape is not inserted properly. The tape has reached the end.	Insert the cassette tape correctly. Flip the cassette.
No sound from tape.	The tape heads are dirty.	Clean the tape heads.
Sound is distorted.	Volume level is set too high	Decrease the volume

SPECIFICATION

Power Requirement AC 120V ~ 60Hz

Frequency Range AM 530 - 1710KHz
 FM 88 - 108MHz

Power Consumption
 Main Unit: 14 Watts



At Spectra, environmental and social responsibility is a core value of our business. We are dedicated to continuous implementation of responsible initiatives with an aim to conserve and maintain the environment through responsible recycling.

Please visit us at <http://www.spectraintl.com/green.htm> for more information on Spectra's green initiatives or to find a recycler in your area.

90 DAY LIMITED WARRANTY AND SERVICE VALID IN THE U.S.A. ONLY

SPECTRA MERCHANDISING INTERNATIONAL, INC. warrants this unit to be free from defective materials or factory workmanship for a period of 90 days from the date of original customer purchase and provided the product is utilized within the U.S.A. This warranty is not assignable or transferable. Our obligation under this warranty is the repair or replacement of the defective unit or any part thereof, except batteries, when it is returned to the SPECTRA Service Department, accompanied by proof of the date of original consumer purchase, such as a duplicate copy of a sales receipt.

You must pay all shipping charges required to ship the product to SPECTRA for warranty service. If the product is repaired or replaced under warranty, the return charges will be at SPECTRA's expense. There are no other express warranties other than those stated herein.

This warranty is valid only in accordance with the conditions set forth below:

1. The warranty applies to the SPECTRA product only while:
 - a. It remains in the possession of the original purchaser and proof of purchase is demonstrated.

- b. It has not been subjected to accident, misuse, abuse, improper service, usage outside the descriptions and warnings covered within the user manual or non-SPECTRA approved modifications.
 - c. Claims are made within the warranty period.
2. This warranty does not cover damage or equipment failure caused by electrical wiring not in compliance with electrical codes or SPECTRA user manual specifications, or failure to provide reasonable care and necessary maintenance as outlined in the user manual.
3. Warranty of all SPECTRA products applies to residential use only and is void when products are used in a nonresidential environment or installed outside the United States.

This warranty gives you specific legal rights, and you may also have other rights which vary from state to state. TO OBTAIN SERVICE please remove all batteries (if any) and pack the unit carefully and send it freight prepaid to SPECTRA at the address shown below. IF THE UNIT IS RETURNED WITHIN THE WARRANTY PERIOD shown above, please include a proof of purchase (dated cash register receipt) so that we may establish your eligibility for warranty service and repair of the unit without cost. Also include a note with a description explaining how the unit is defective. A customer service representative may need to contact you regarding the status of your repair, so please include your name, address, phone number and email address to expedite the process.

IF THE UNIT IS OUTSIDE THE WARRANTY PERIOD, please include a check for **\$60.00** to cover the cost of repair, handling and return postage. All out of warranty returns must be sent prepaid.

It is recommended that you contact SPECTRA first at 1-800-777-5331 or by email at custserv@spectraintl.com for updated information on the unit requiring service. In some cases the model you have may be discontinued, and SPECTRA reserves the right to offer alternative options for repair or replacement.

SPECTRA MERCHANDISING INTERNATIONAL, INC.
4230 North Normandy Avenue,
Chicago, IL 60634, USA.
1-800-777-5331

To register your product, visit the link on the website below to enter your information. <http://www.spectraintl.com/wform.htm>

0720

Printed in China