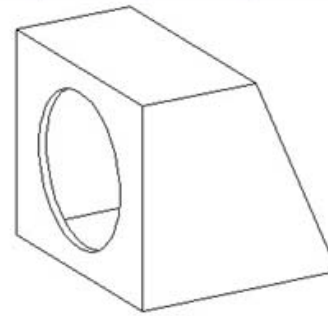
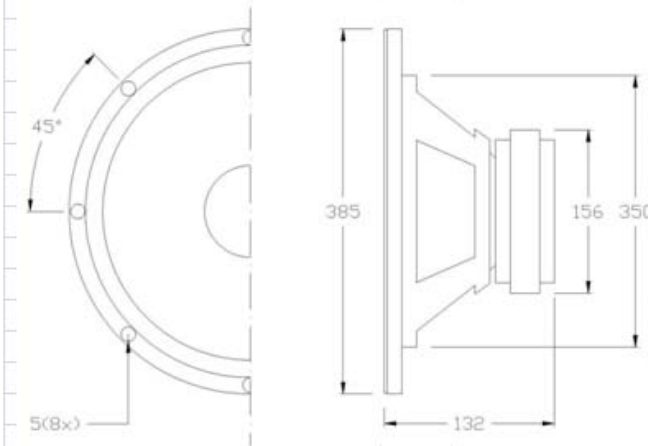
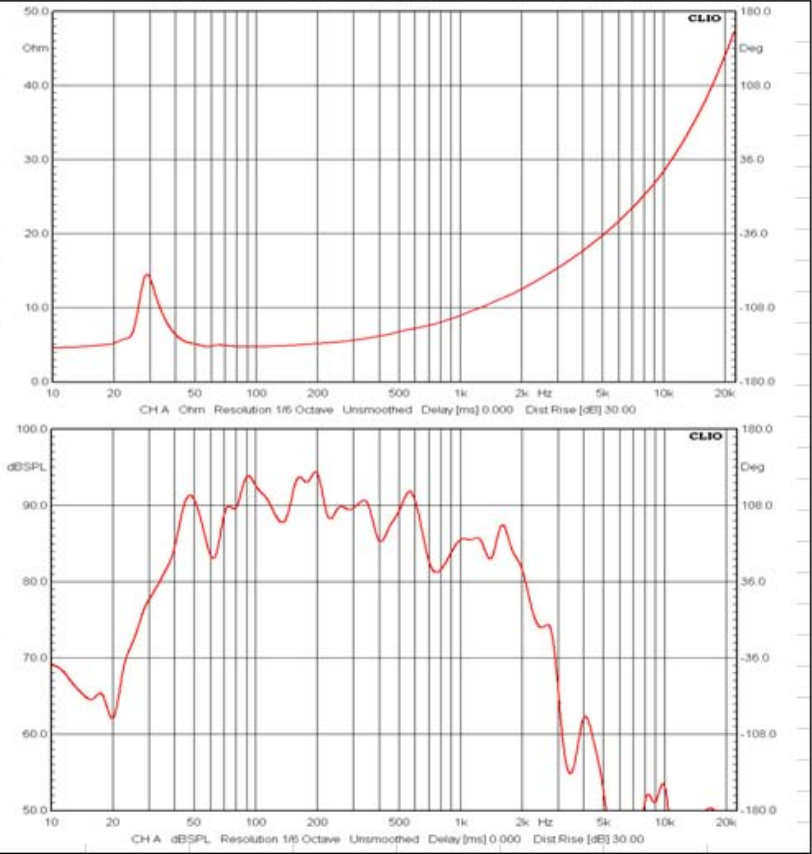


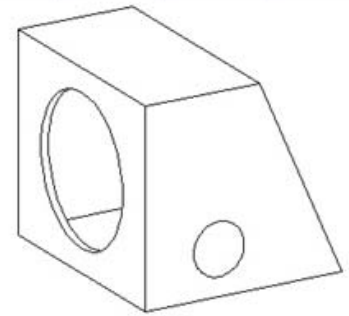


## SPEAKER SPECIFICATIONS

|                                |                   |               |
|--------------------------------|-------------------|---------------|
| <b>Model Number:</b>           | PLPW15D           |               |
| <b>GENERAL SPECIFICATIONS</b>  |                   |               |
| Nominal Diameter:              | 15 inch           |               |
| Rated Impedance:               | 4 ohms+4 ohms     |               |
| Operating Bandwidth:           | 40-1.5k hz (-6dB) |               |
| Power Handling Capacity:       | 1000 Watts        |               |
| Sensitivity (1W/M):            | 90 dB(+3dB)       |               |
| Voice Coil Diameter:           | 2.5 inch          |               |
| <b>THIELE-SMALL PARAMETERS</b> |                   |               |
| Resonance Frequency            | Fs:               | 29.02 HZ      |
| DC Resistance                  | Re:               | 3.4ohm+3.4ohm |
| Mechanical Q Factor            | Qms:              | 3.94          |
| Electrical Q Factor            | Qes:              | 0.5199        |
| Total Q Factor                 | Qts:              | 0.4593        |
| Equivalent Cas air load        | Vas:              | 195.68 L      |
| Surface Area of Cone           | Sd:               | 0.082 m2      |
| Efficiency Bandwidth Product   | EBP               | 55.8          |
| Voice Coil Over Hang           | X-max             | 8 mm          |
| <b>PHYSICAL INFORMATION</b>    |                   |               |
| Basket:                        | Black Stamp Steel |               |
| Magnet Type:                   | 50 OZ             |               |
| Cone Material:                 | Non-press Cone    |               |
| Surround:                      | Foam              |               |
| Dust Cap:                      | PP                |               |
| Damper:                        | cloth             |               |



Sealed Box



Vented Box

| Suggested enclosure parameters              | Sealed |       | Vented |       |
|---|--------|-------|--------|-------|
|   | Small  | Large | Small  | Large |
| Enclosure volume, cu. ft.                   | 2.1    | NA    | 2.1    | NA    |
| Vent length, inches                         | -      | -     | 9.0    | -     |
| Vent diameter, inches                       | -      | -     | 6.0    | -     |
| Enclosure Frequency, Hz                     | 59.7   | -     | -      | -     |
| Fb Tuning Frequency of Vented Enclosure, Hz | NA     | -     | 44     | -     |
| F3 Systems 3dB Down Point (Sealed), Hz      | 42     | -     | -      | -     |