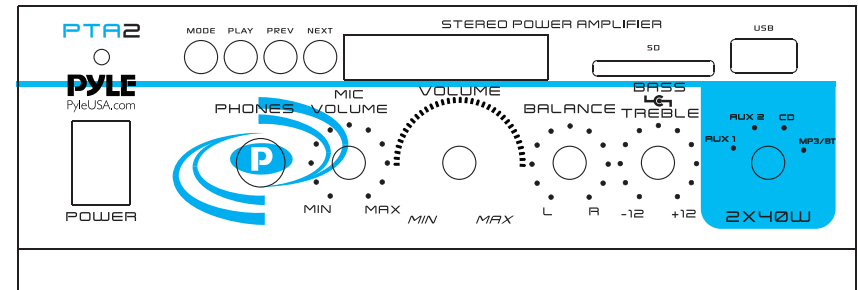


PYLE
PyleUSA.com



VISIT US ONLINE:
Have a question?
Need service or repair?
Want to leave a comment?
PyleUSA.com/ContactUs

PYLE



PTA2

Mini Stereo Power Amplifier
with USB/SD/FM/ Wireless BT
2 x 40 Watt with AUX, CD & Mic Inputs

Questions? Issues?

We are here to help!

Phone: (1) 718-535-1800

Email: support@pyleusa.com

FOREWORD

Your New Pyle Pro Amplifier gives you the power and versatility you need in a professional sound system. The amplifier's wide frequency response makes it suitable for amplifying music or vocal program material. It can be used in meeting halls, house, restaurant, schools, stores, or for paging systems.

Please read this manual thoroughly before you attempt to set up and use the amplifier. It contains a range of installation suggestions as well as instructions to ensure safe usage.

Installed properly, you can expect years of trouble-free service from this product.

WARNING: To reduce the risk of fire or shock hazard, do not expose this product to rain or moisture.



CAUTION
RISK OF ELECTRIC SHOCK
DO NOT OPEN



CAUTION: To reduce the risk of electric shock, do not remove cover or back. No user-serviceable parts inside. Refer servicing to qualified personnel.



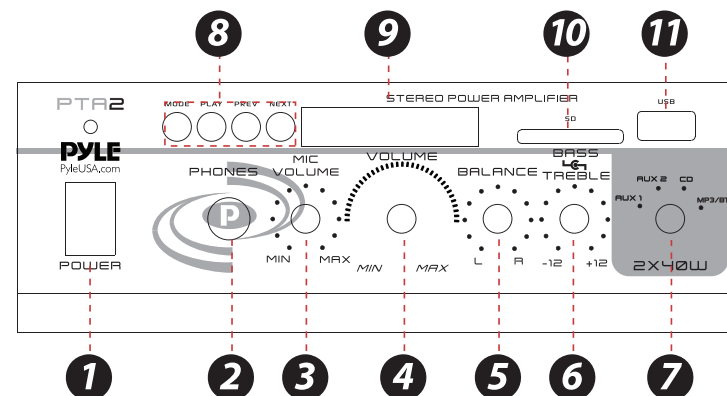
This symbol is intended to alert the user to the presence of uninsulated dangerous voltage within the product's enclosure, it may have sufficient magnitude to constitute a risk of electric shock to persons.



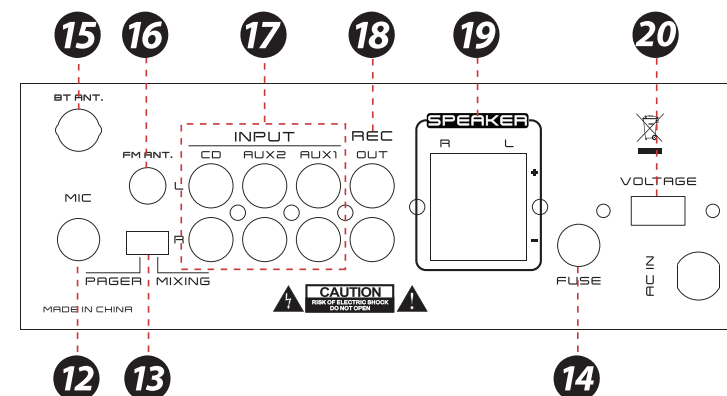
This symbol is intended to alert the user to the presence of important operating and maintenance (servicing) instructions in the literature accompanying the appliance.

FEATURES AND CONTROLS

FRONT PANEL



BACK PANEL



- 1. Main Power ON Switch:** Switch ON/OFF the amplifier by using this switch.
- 1/4" Phone Jack:** Accepts headphones with 1/4" plug.
- Mic Volume Control:** Adjusts the volume of the connected MIC to proper setting.
- Music Volume Control:** Adjusts the music volume output from AUX 1, AUX 2, or CD source. It doesn't affect the MIC volume.
- Balance Control:** Adjusts the balance of sound between left and right amplifier output.
- Bass and Treble Tone Control:** Lets you boost or attenuate your desired bass and treble sound.
- AUX 1/AUX 2/CD INPUT Selector:** Select the desired music source input.

8. MODE, PLAY, PREV and NEXT Function Control buttons:

- **MODE Button:** For audio selection like WIRELESS BT/SD/LINE IN
- **PLAY/PAUSE BUTTON:** Play and Pause control button
- **PREV/NEXT:** Quick backward or next song

9. LED Display: Displays the output level and selected input

10. SD Card Input

11. USB Flash Drive Input

12. 1/4" Mic Input Jack: Lets you connect a microphone with a 1/4" plug.

13. Switchable Mic Pager and Mixing modes:

- **Set to PAGER:** allows a voice to be heard clearly through microphone by attenuating automatically all the audio input sources. This is good to use when paging a person in office, store or restaurant.
- **Set to MIXING:** Both voices from microphone and music will exist at the same time. Similar as singing in karaoke events.

14. Fuse: The amplifier uses fuse for protection against surges and short circuit. If the amplifier suddenly turns off and will not turn on, check the fuse. If necessary, replace it with a 1-amp, 250-volt, fast-acting, 5x20mm fuse (not supplied).

15. Wireless BT Antenna: Wireless BT Streaming receiver

16. FM ANTENNA CONNECTOR

17. AUX 1/AUX 2/CD RCA INPUT: Connect your most high-level audio sources such as CD player, tape deck, tuner, camcorder or VCR.

18. REC RCA Output: Connect the amplifier to a tape deck for recording.

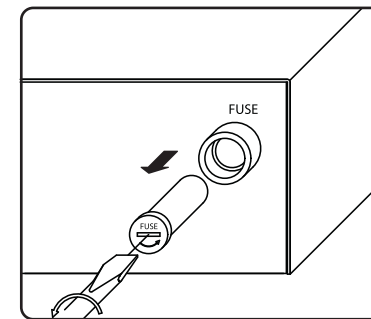
19. Speaker L/R Terminals: Lets you easily connect speaker wires directly to the Amplifier. Speaker impedance can range from 8 to 4 ohms for general stereo output. Please see the next instruction for using four 8-ohm speakers for stereo mode connection.

20. Voltage Selector: Select the voltage of AC power input source. The amplifier has selectable input voltage from 110V/60Hz which is the standard in USA and CANADA. You can also switch the input voltage to 230V/50Hz for EUROPEAN operation. Please make sure the switch is in the proper position before operating otherwise severe damage will result which is not covered by the warranty. Please also replace the fuse with proper rating in this situation.

IMPORTANT

Replacing a fuse

This amplifier requires fuse with the proper rating for protection from power surges and short circuits. If the amplifier suddenly turns off or would not turn on, the fuse is properly blown.

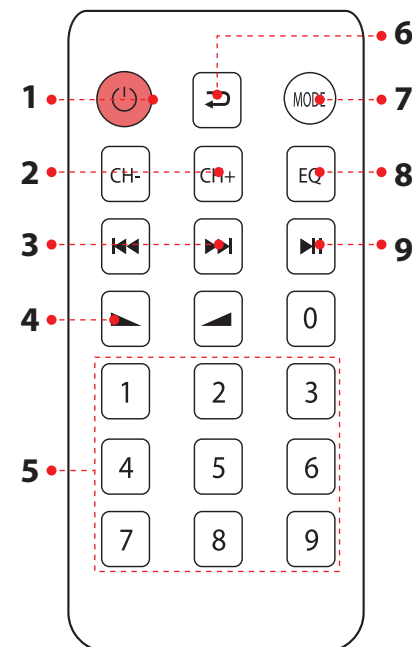


- Let the amplifier cool down and see if it starts again before you assume a fuse needs to be replaced.
- Unplug the amplifier from the AC outlet.
- Turn the fuse holder cap and pull out the cap.
- Remove the old fuse and replace it with an identical one.

CAUTION: Never use a fuse with a higher rating

Remote control

1. Press this button to turn on the MP3
2. In FM mode, press this two buttons to select previous or next channel.
3. Press these two buttons to select the previous or next track in USB or SD or Wireless BT mode
4. Volume up or down
5. Press the numbers to select the tracks directly. The unit takes 1-2 seconds to response in USB or SD mode.
6. Press this button to select the different repeat mode. Pressing this button for more than 3 seconds will enter into FOLDER searching
7. Press this button to select the playing mode, such as USB/SD/FM/WIRELESS BT
8. EQ function, if the mp3 with EQ
9. Play and pause function for MP3

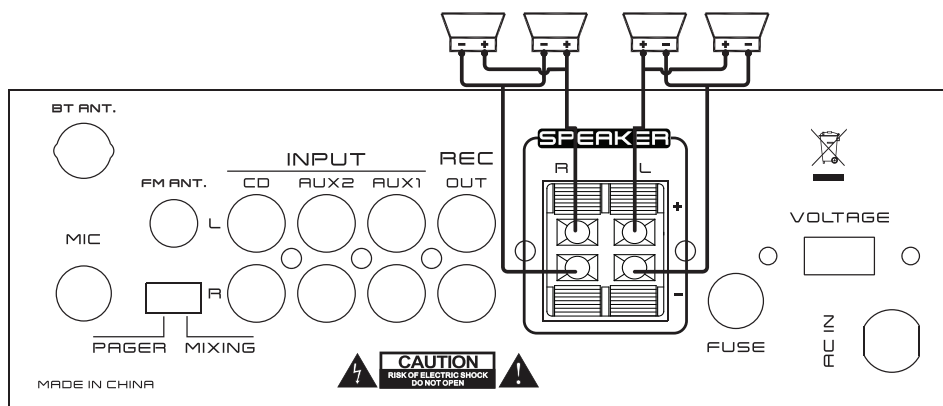


WIRELESS BT STREAMING OPERATION INSTRUCTION

External devices which have a built-in BT feature can be connected to this amplifier wirelessly to play through the amplifier's speakers. If your amp is connected to speakers, you will hear audible tones which will help for connecting.

1. At first be sure that the amplifier is powered **ON**, and turn the volume to low. Pull out the BT Antenna at the back panel for better receiving signal. Press MODE button on the front panel then the BT Indicator light will be lit. (The unit is automatically ready to pair with your device)
2. Turn **ON** the Wireless BT function of your external device.
3. Search for available devices within range of your external Wireless BT device.
4. Wait for a while then find the "PYLEUSA" on the paired devices list on your external device and select "PYLEUSA", or find the "BT" on the paired devices list on your external device and select "BT".
5. Your amplifier will beep and the lights will flash once when pairing is successful.
6. You can now play music and other audio on your external device through your amplifier.
7. The amplifier will beep and the lights will flash once again when the external device is turned off or unpaired.

Connecting four 8 ohm speakers in stereo mode



TROUBLESHOOTING

NO POWER	The fuse might be blown	Check the amplifier's fuse and replace it if necessary.
NO SOUND	Sound source or speakers may not be connected properly	Check all connections
	Master volume control may be set to a minimum	Adjust the volume control to a higher setting
	The speaker's wire might have the wrong impedance	Make sure that the speakers that you have connected to the amp are matching in impedance
	The amplifier is shutting down or powering off	Turn the amplifier off and let it cool, make sure that the amplifier is properly ventilated, and then turn it back on

Care and Maintenance

Your Pyle Pro Amplifier is an example of superior design and craftsmanship.

The following suggestions will help you care for your amplifier so you can enjoy years of use:

- Keep the amplifier dry. If it gets wet, wipe immediately.
- Use the amplifier only in well-ventilated installations.
- Handle the amplifier gently and carefully - do not drop!
- Keep the amplifier away from dust and dirt.
- Wipe occasionally with a damp cloth to keep it looking new.
- Do not use harsh chemicals, solvents or detergents!

Features:

- Blue LED Screen for Media Playback Information
- Double Decoder Digital Media Function with Remote Control
- Compatible with MP3/WMA Files
- Wireless BT Streaming, FM Radio
- Built-in USB & SD Card Readers
- RCA REC Output
- Balance Control
- 1/4" Mic Input Jack
- Speaker L/R Terminals
- Power On LED Indicator
- Headphone Output Jack
- Four Push Type Speaker L/R Terminals
- Switchable Mic Pager And Mixing Modes
- Switchable RCA Inputs: AUX1, AUX2 & CD
- Bass, Treble, Master Volume & Mic Controls

Wireless BT Connectivity:

- Built-in Wireless BT Music Streaming Receiver
- Compatible with All of Your Favorite Wireless BT Devices (iPhone, Androids, Smartphones, iPad, Tablets, etc.)
- Wireless BT Version: 5.0
- Wireless BT Network Name: **'PYLEUSA'**

What's in the Box:

- FM Antenna
- Remote Control
- Amplifier Receiver

Technical Specs:

- Power Output: 2 x 40 Watt
- Power Supply: 120/240V Voltage Selector
- Impedance: 4-8 Ohm
- Fuse: 1A
- THD: 1%
- Harmonic Distortion: 0.3%
- Input sensitivity: 150mV (Max Output: 6000mV)
- Bass: +/-10dB (100 Hz), Treble: +/-10dB (10KHz)
- Frequency Response: 20Hz-20KHz
- Signal to Noise Ratio: > 78dB
- Battery Operated Remote Control, Requires (1) x 'CR-2032' Battery (Included)
- vProduct Dimension: 5.39" x 7.48" x 2.76" –inches



WARNING:

This product can expose you to a chemical or group of chemicals, which may include "Nickel Carbonate" which is known in the state of California to cause cancer, birth defects, or other reproductive harm. For more info, go to <https://www.p65warnings.ca.gov/>.