

# FLOATING SHELVES & LEDGES

2020

**HANGMAN**<sup>®</sup>

hangmanproducts.com  
(818) 610-0487  
685 E. Cochran St. #180 A.  
Simi Valley CA 93065



**HANGMAN**<sup>®</sup>

## **TABLE OF CONTENTS**

1. No Stud Floating Shelf™
3. No Stud Technology™
5. No Stud Floating Shelf Features & Installation
7. Standard & Reversible No Stud Floating Shelf
9. No Stud Floating Shelf Packaging
11. All Surface Floating Shelf™
13. All Surface Technology™
15. All Surface Floating Shelf Features & Installation
17. Standard & Reversible All Surface Floating Shelf
19. No Stud Photo Ledge
21. No Stud Photo Ledge Installation & Multi-Pack Systems

# NO STUD FLOATING SHELF™

**HANGMAN®**

The No Stud Floating Shelf™ allows you to easily decorate your home with minimal wall damage and strong holding power! Built with our patented HANGMAN® No Stud Technology™, this innovative shelf mounts flush to the wall using tiny nails and an aircraft grade aluminum bracket.

All hardware included, all you need is a hammer.



## Features



Made In The  
USA



Easy  
Installation



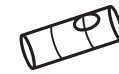
All You Need  
Is A Hammer



Heavy  
Holding Power



Patented  
Design



Bubble Level  
Included



Use in Drywall,  
Plaster, or Paneling



No Drills  
Or Anchors

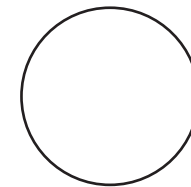


Will Not  
Sag Or Droop

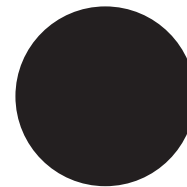


Aircraft Grade  
Aluminum

## Stock Finishes



White



Black

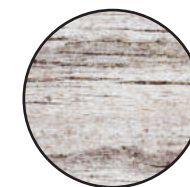
## Custom Finishes



White  
Marble



Cherry



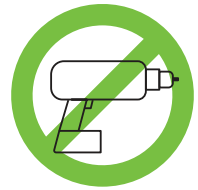
Driftwood



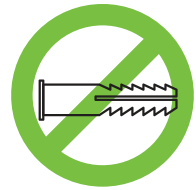
Pine

# No Stud Technology™

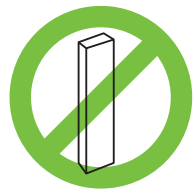
HANGMAN'S Patented No Stud Technology™ always ensures easy stress-free installation while maintaining reliable holding power and minimal wall damage. Specifically designed to leave as little damage as possible, this patented system installs using only a hammer and tiny picture nails taking the stress and worry out of hanging heavy items. No studs, no anchors, no drills - just pick your spot and hang it.



No Drills



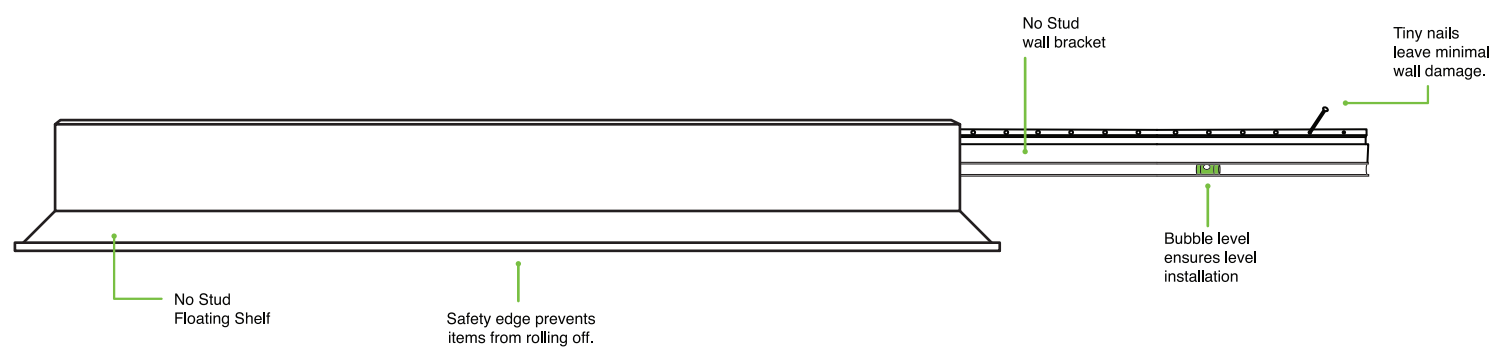
No Anchors



No Studs



No Damage



## Available Lengths

**6"**

Holds 15 lbs.

**12"**

Holds 20 lbs.

**18"**

Holds 30 lbs.

**24"**

Holds 40 lbs.

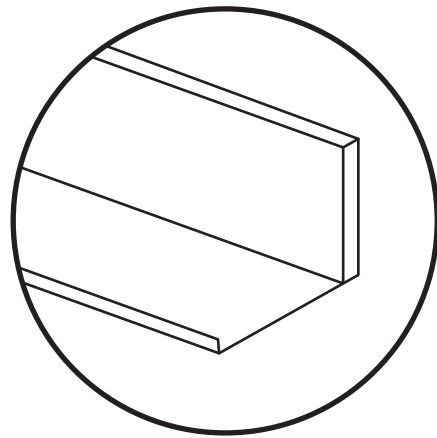
**36"**

Holds 50 lbs.

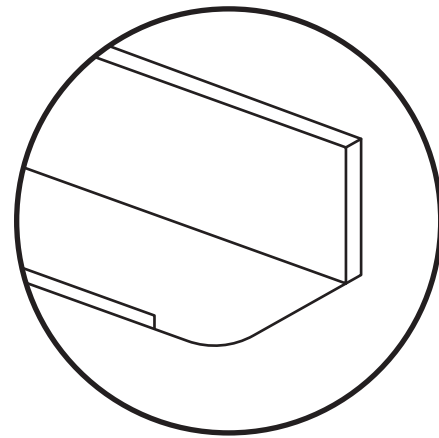
**48"**

Holds 60 lbs.

## Edge Styles



Square Edge



Radius Edge

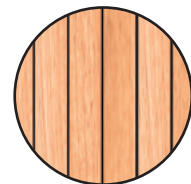
## Works In



Drywall

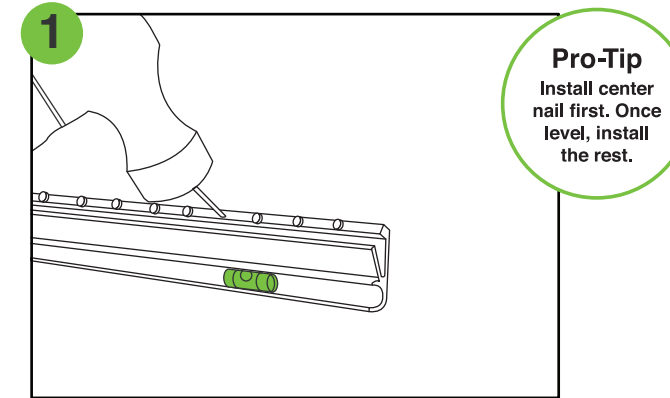


Plaster

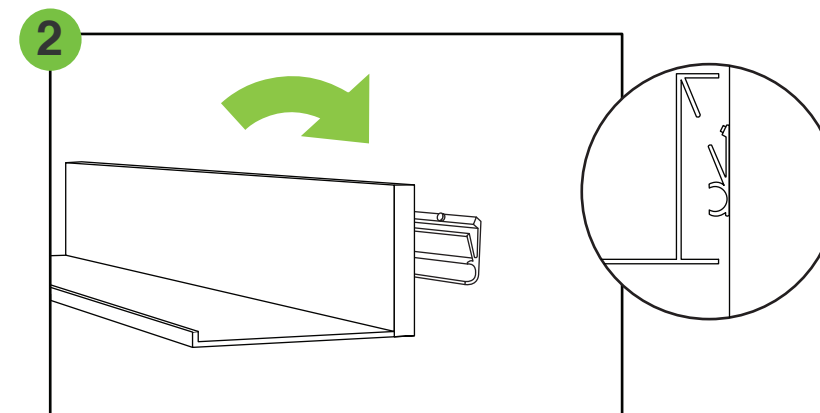


Paneling

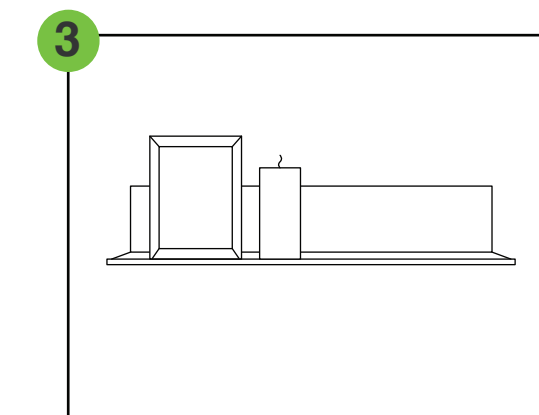
## Installation



Slide level in track. Install center nail in wall bracket. Adjust until level, then install remaining nails.



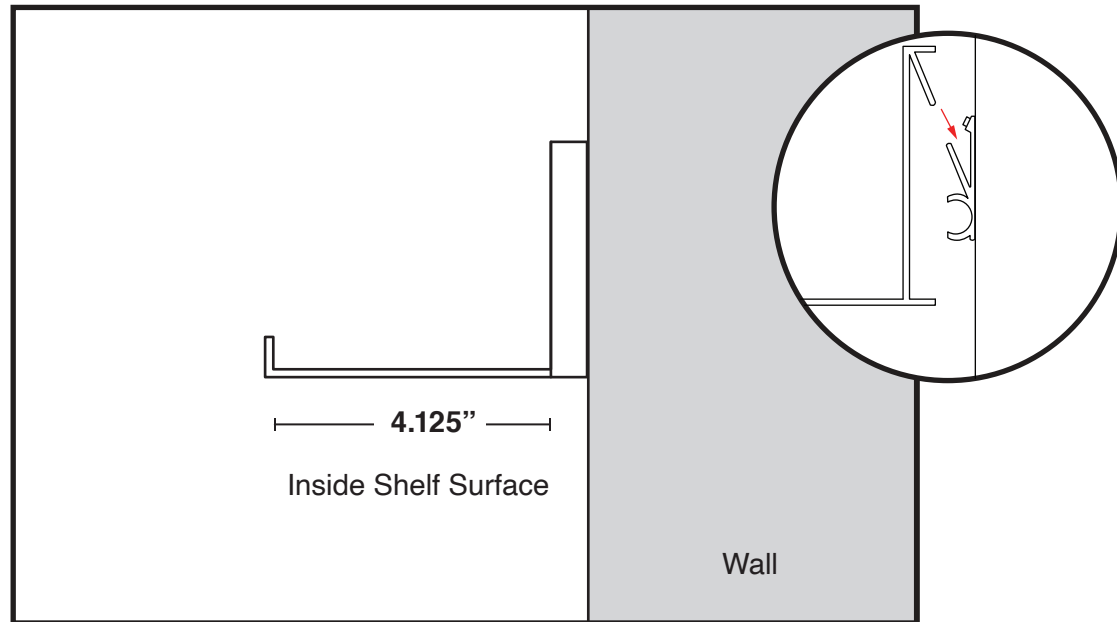
Engage the No Stud Floating Shelf with the No Stud wall bracket.



Decorate and repeat!

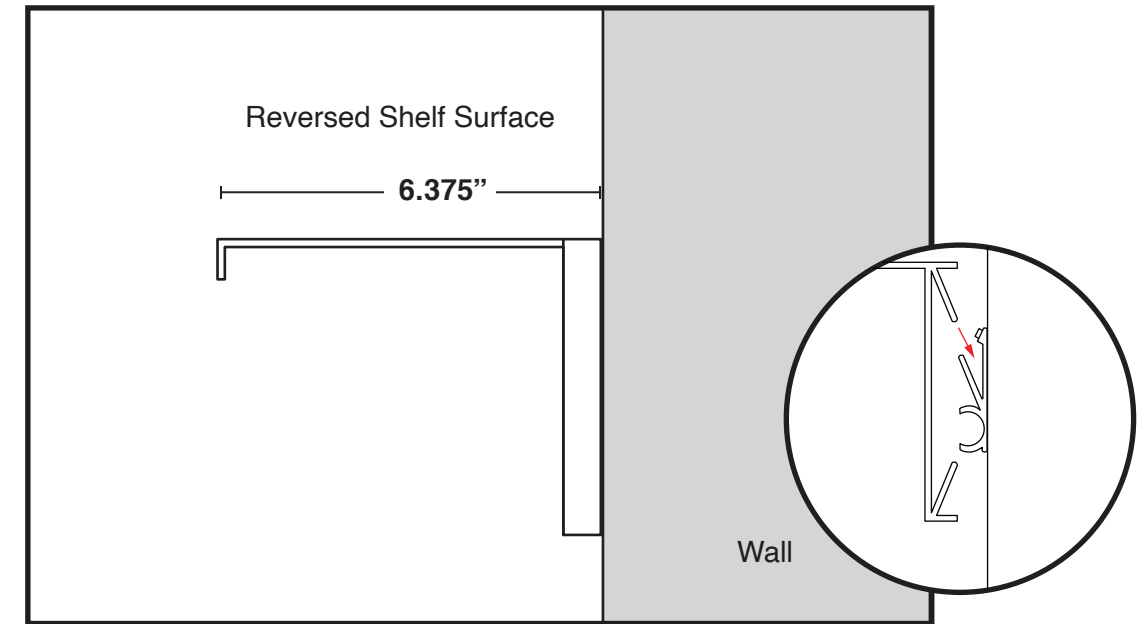
## Standard No Stud Floating Shelf

This smaller shelf allows for only standard installation.



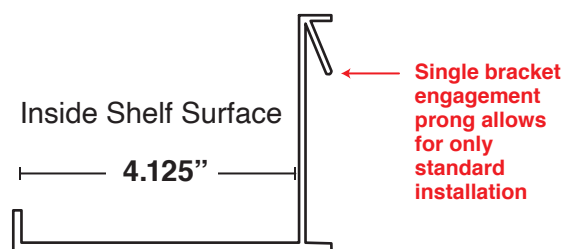
## Reversible No Stud Floating Shelf

This larger shelf allows for reversible installation. Simply flip over the shelf and hang it for a different look.



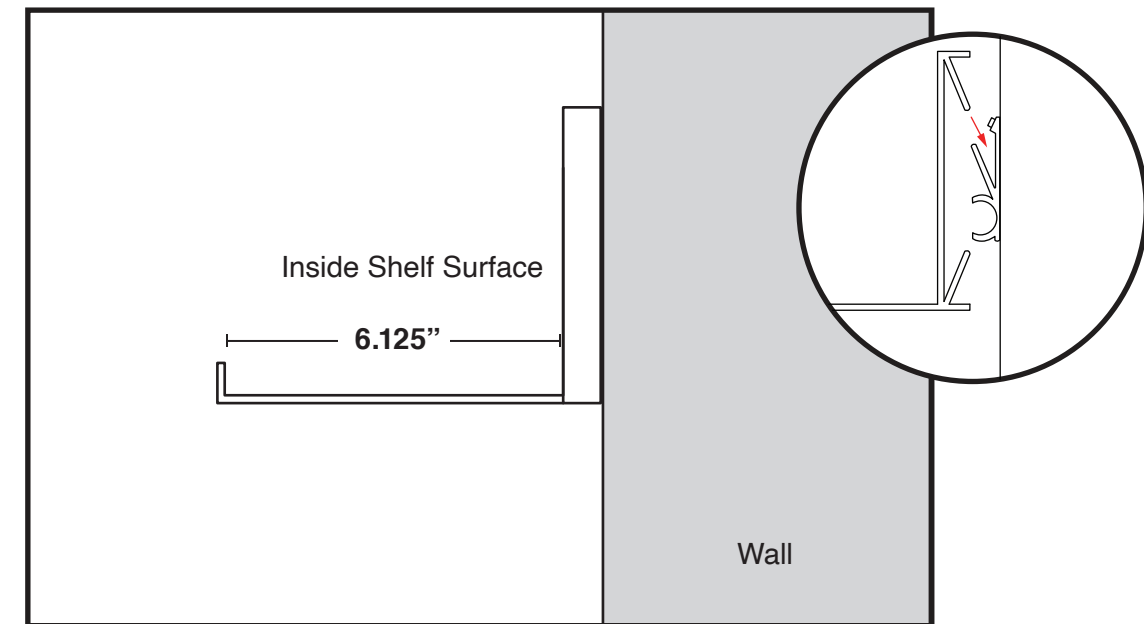
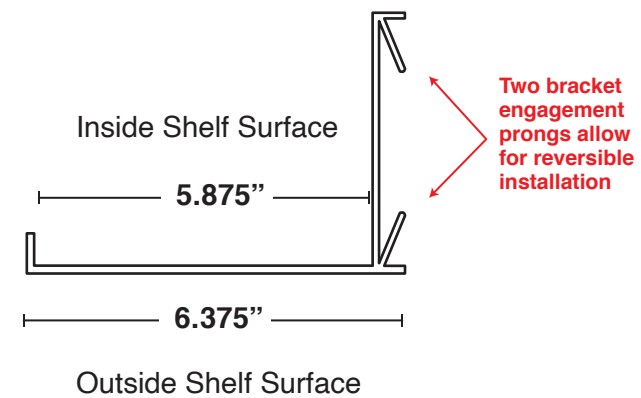
### Standard No Stud Floating Shelf

- Smaller inside shelf surface
- Not Reversible



### Reversible No Stud Floating Shelf

- Larger inside and outside shelf surface
- Reversible installation



Retail Packaging



Perfect for any room



Offices



Bathrooms



Kitchens



Living Rooms

# ALL SURFACE FLOATING SHELF™

**HANGMAN®**

The All Surface Floating Shelf™ allows you to easily install a floating shelf on any wall surface. Utilizing HANGMAN'S patented Professional French Cleat and Wall-Dog™ anchorless screws, this floating shelf installs effortlessly using only a screwdriver for drywall, plaster, and wood or a 3/16" pilot hole for concrete or brick surfaces.



## Features



Made In The  
USA



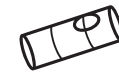
Easy  
Installation



Heavy  
Holding Power



Patented  
Design



Bubble Level  
Included



Installs In  
All Surfaces



Includes Wall-Dog™  
Anchorless Screws

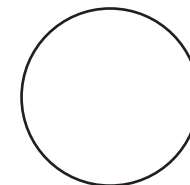


Will Not  
Sag Or Droop

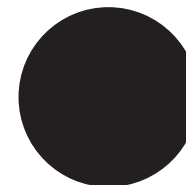


Aircraft Grade  
Aluminum

## Stock Finishes

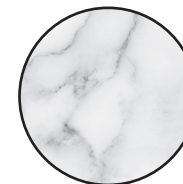


White



Black

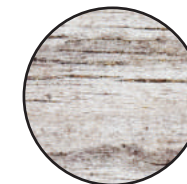
## Custom Finishes



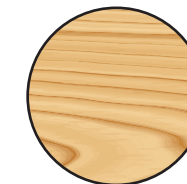
White  
Marble



Cherry



Driftwood

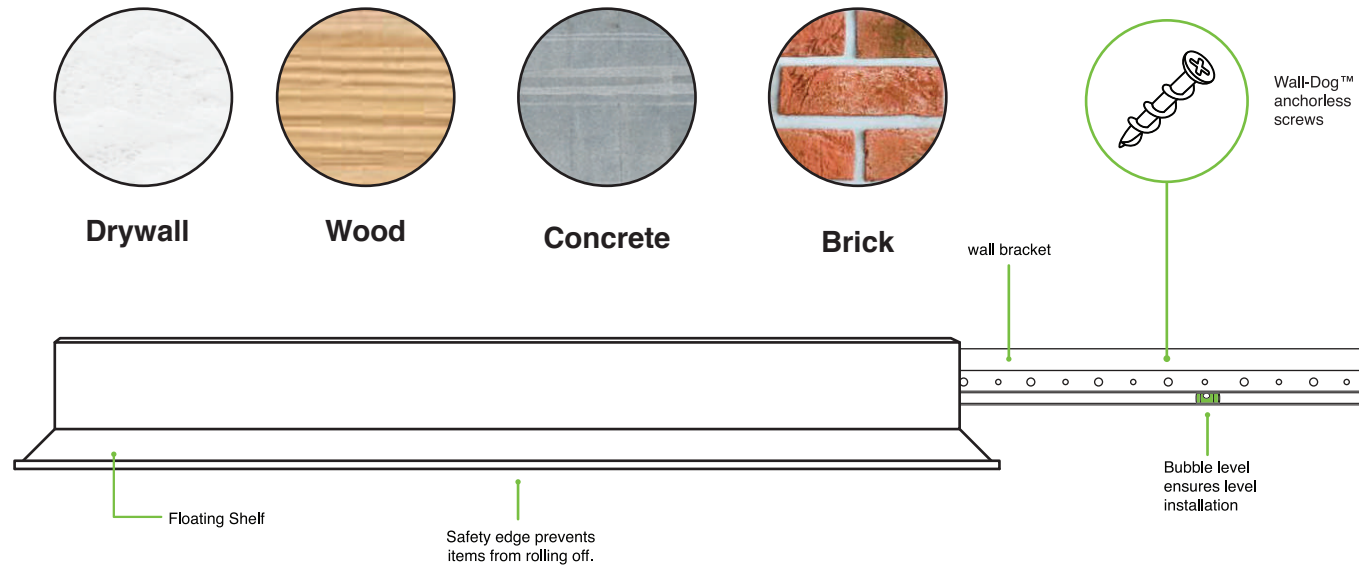


Pine



# All Surface Technology™

HANGMAN'S Patented All Surface Technology™ utilizes our Wall-Dog™ anchorless screws allowing installation into drywall, wood, brick, or concrete. For brick and concrete, a 3/16" pilot hole is required.



## Available Lengths

6"

Holds 15 lbs.

12"

Holds 20 lbs.

18"

Holds 30 lbs.

24"

Holds 40 lbs.

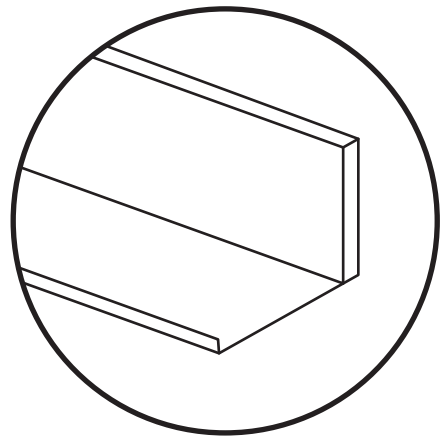
36"

Holds 50 lbs.

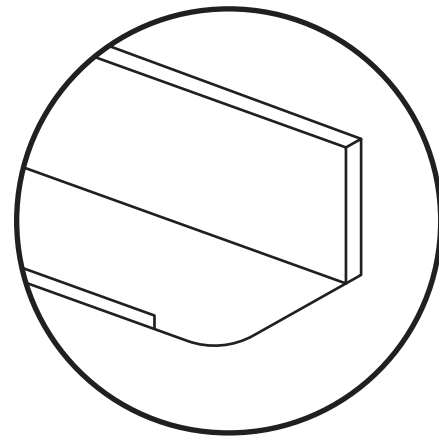
48"

Holds 60 lbs.

## Edge Styles



Square Edge



Radius Edge

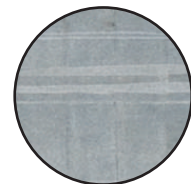
## Works In



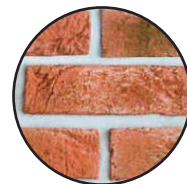
Drywall



Wood



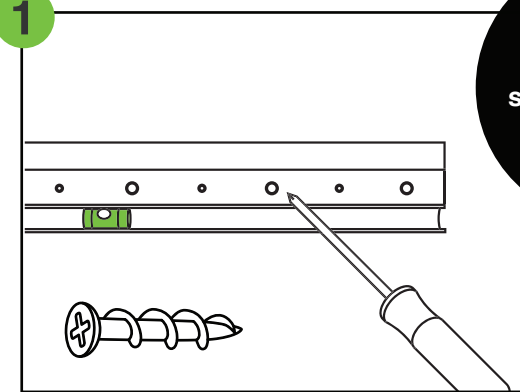
Concrete



Brick

## Installation

1



### Pro-Tip

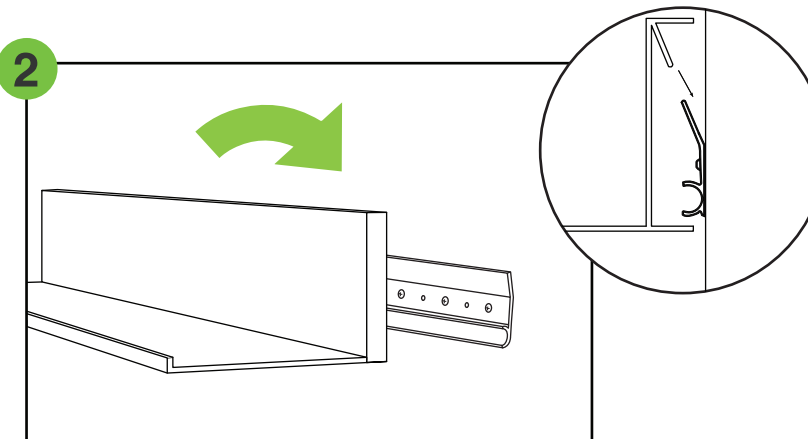
Install center screw first. Once level, install the rest.

Using a Phillips head screwdriver, level and attach the wall bracket using anchorless Wall-Dog™ screws and provided bubble level.

**Note:** For concrete and brick, drill a 3/16" pilot hole.

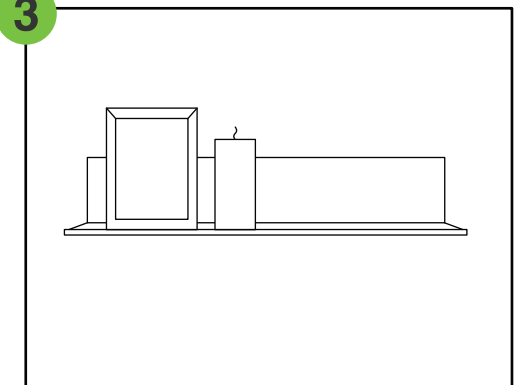
No pilot holes for drywall or wood.

2



Engage the All Surface Floating Shelf with the wall bracket.

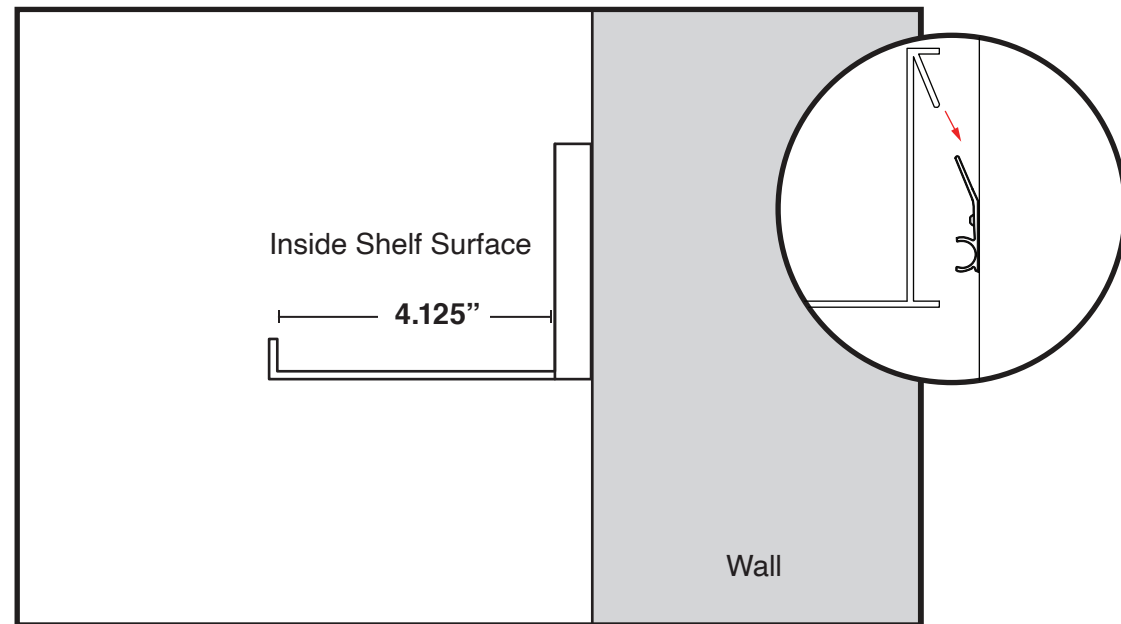
3



Decorate and Enjoy!

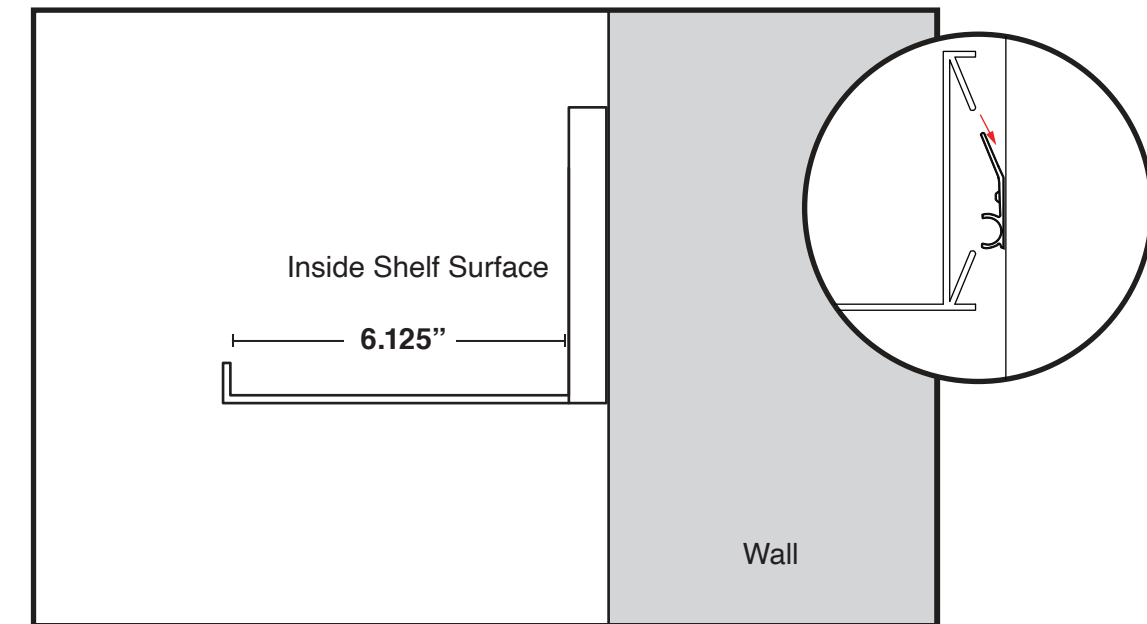
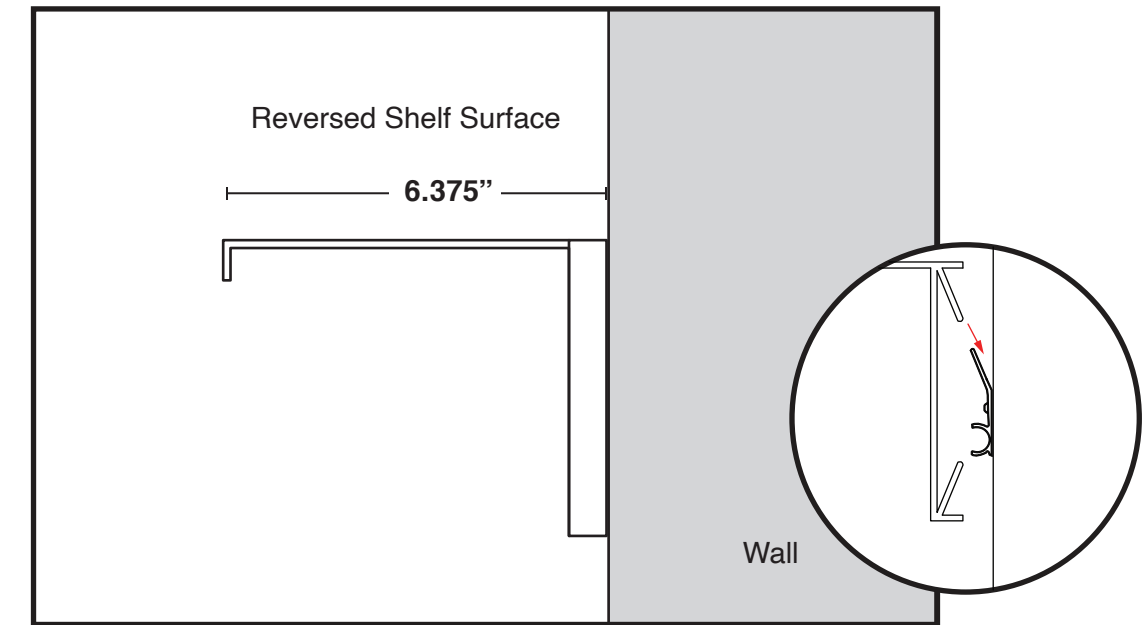
## Standard All Surface Floating Shelf

This smaller shelf allows for only standard installation.



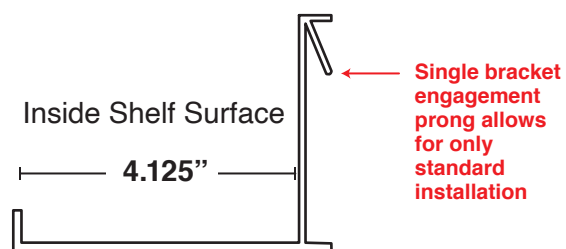
## Reversible All Surface Floating Shelf

This larger shelf allows for reversible installation. Simply flip over the shelf and hang it for a different look.



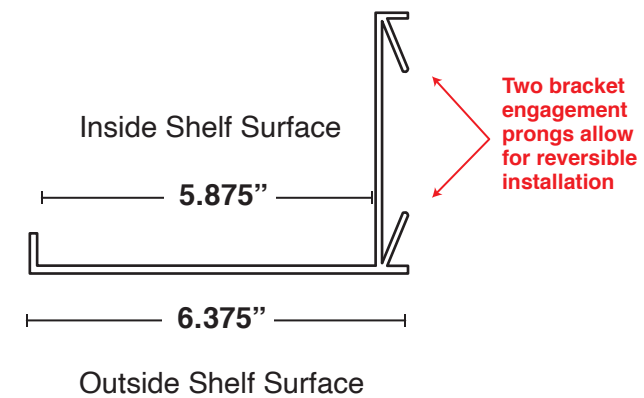
### Standard No Stud Floating Shelf

- Smaller inside shelf surface
- Not Reversible



### Reversible No Stud Floating Shelf

- Larger inside and outside shelf surface
- Reversible installation



# NO STUD PHOTO LEDGE™

**HANGMAN®**

The No Stud Photo Ledge™ will be your new favorite way to display framed art and photography. Utilizing HANGMAN'S patented No Stud Technology™, these low-profile floating shelves are perfect for small frames and decorative items.

## Features



Made In The  
USA



Easy  
Installation



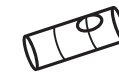
All You Need  
Is A Hammer



Heavy  
Holding Power



Patented  
Design



Bubble Level  
Included



Use in Drywall,  
Plaster, or Paneling



No Drills  
Or Anchors

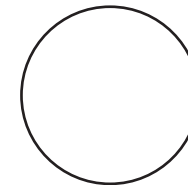


Will Not  
Sag Or Droop

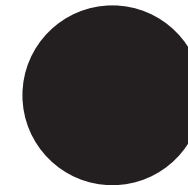


Aircraft Grade  
Aluminum

## Available Finishes



White



Black

## Available Lengths

**18"**

Holds 30 lbs.

**24"**

Holds 40 lbs.

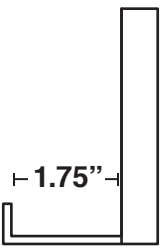
**36"**

Holds 50 lbs.

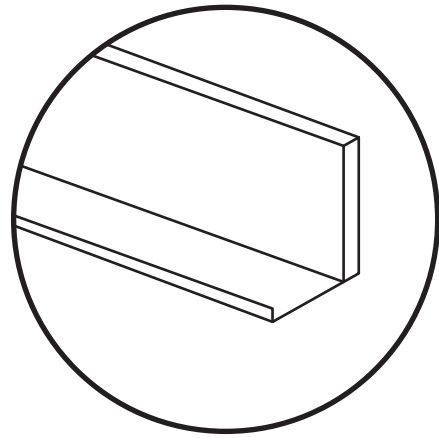
**48"**

Holds 60 lbs.

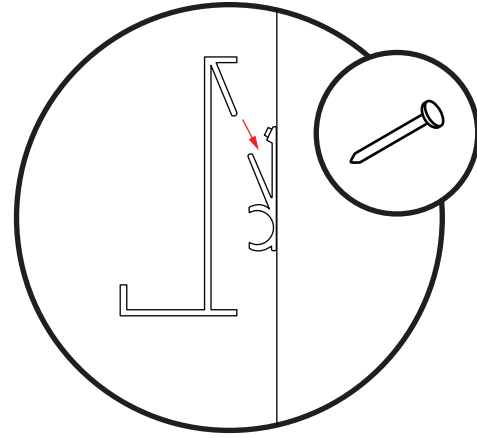




Inside Shelf Surface

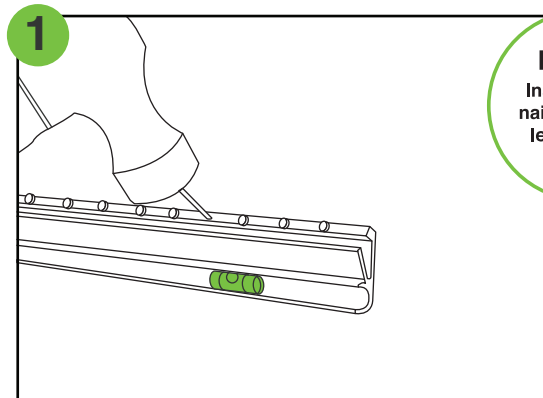


Square Edge



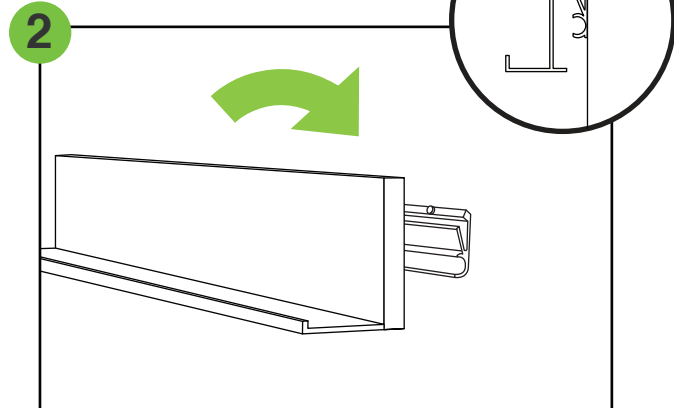
No Stud Technology™

## Installation

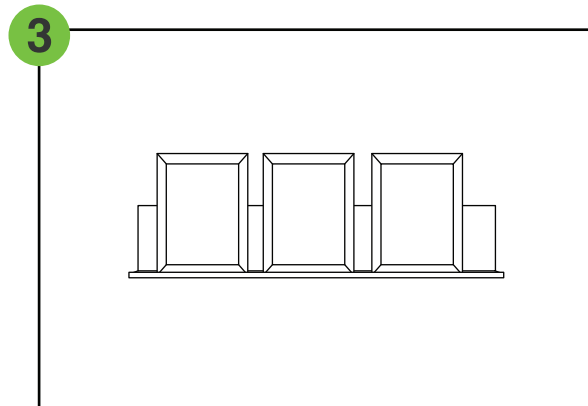


Slide level in track. Install center nail in wall bracket. Adjust until level, then install remaining nails.

**Pro-Tip**  
Install center nail first. Once level, install the rest.



Engage the No Stud Floating Shelf with the No Stud wall bracket.



Decorate and Enjoy!

## Multi Pack Systems

### Install, Connect, Repeat.

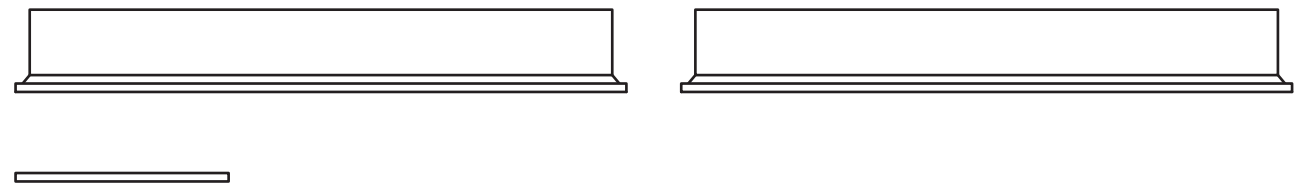
10" connector rods allow you to link up multiple ledges. Simply remove one end cap, slide the connector rod into the bubble level tracks, and join two wall brackets to hang your ledges!



10" Connector Rod

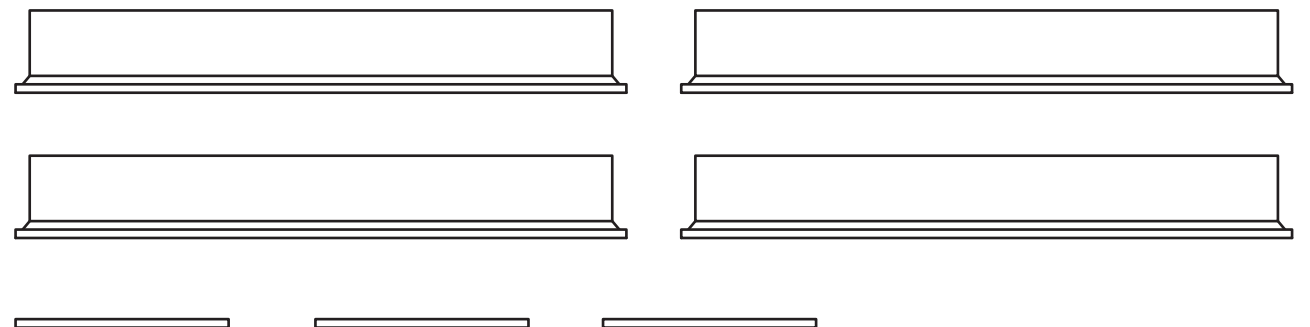
### 2 Pack

Includes all installation hardware plus (2) 24" Photo Ledges and (1) 10" connector rod.



### 4 Pack

Includes all installation hardware plus (4) 24" Photo Ledges and (3) 10" connector rods.





HANGMAN No Stud Reversible Floating Shelf™



HANGMAN No Stud Reversible Floating Shelf™



HANGMAN No Stud Floating Shelf™





HANGMAN No Stud Floating Shelf™