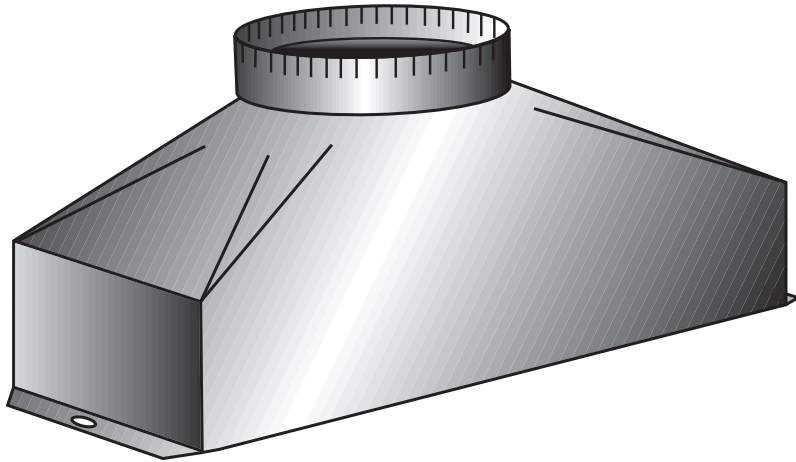


Kitchen Range Hood Venting Accessories— Universal Offset Transition Boot



Model No.	Description	Color
DGT34	4" round transition	Silver
DGT35	5" round transition	Silver
DGT36	6" round transition	Silver
DGT37	7" round transition	Silver

Performance Data

for galvanized transitions

Material

- transitions all galvanized steel

Construction

- dimple lock

General Information

- to complete your range hood venting project, choose these "hard pipe" venting solutions

DGT34, DGT35, DGT36 & DGT37

Model No.	A	B
DGT34	4"	4 3/4"
DGT35	5"	5"
DGT36	6"	5 1/2"
DGT37	7"	6 1/2"

