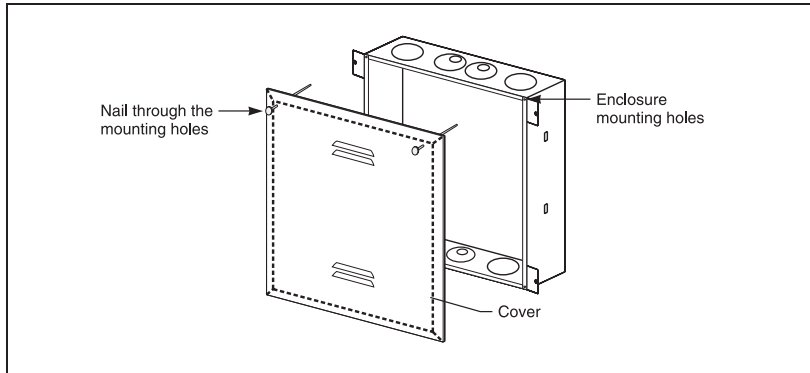
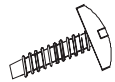


# 18"/36" COVER ASSEMBLY INSTRUCTIONS

- 1) Use nails provided to hang cover onto enclosure as shown.
- 2) Let cover hang while attaching screws.\*
- 3) Remove and discard nails. Attach remaining screws.



**Installing Cover**



\* Use self-tapping screws for enclosures without tapped holes.